

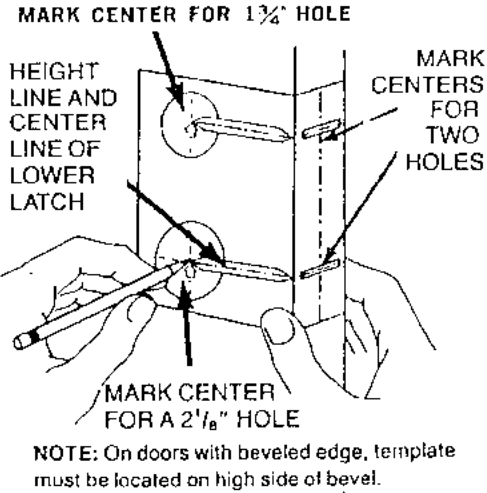
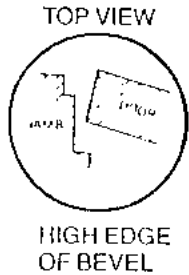
Installation Instructions

For Double and Single Locking Units

INSTRUCTIONS FOR INSTALLATION OF INTERCONNECTED LOCK

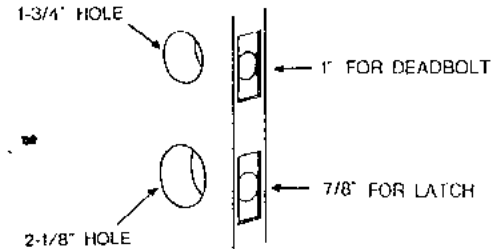
1. MARK DOOR

Mark height line on edge of door. Suggested height from floor for 2 1/8" hole is 38". Mark center point of door thickness. Position template with center line for lower latch hole on height line. Mark centers as shown below.



2. BORE FOUR HOLES

Bore a 1-3/4" and 2-1/8" hole from both sides of door. Depending on latch & bolt housing diameter, bore 7/8" and 1" holes into edge of door. To mortise for latch use faceplate front as pattern.



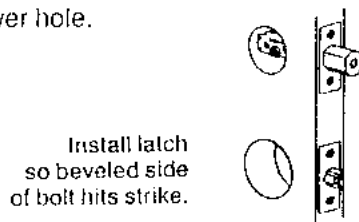
3. INSERT LATCH UNITS

A. DEADBOLT

Extend bolt then insert latch in door, if resistance is met press firmly on faceplate. Making sure the deadbolt is in "UP" position.

B. LATCH

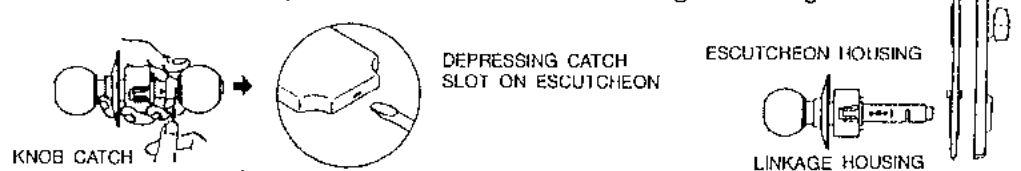
Insert latch into lower hole.



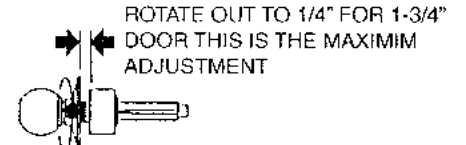
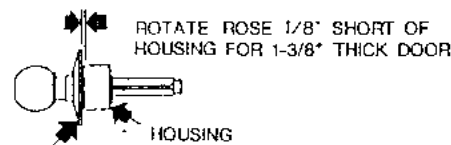
Complete installation of bolt and latch with screws provided.

4. REMOVE INSIDE TRIM

Depressing knob catch, inside knob off spindle. Depress catch slot at bottom of escutcheon to separate escutcheon from linkage housing.

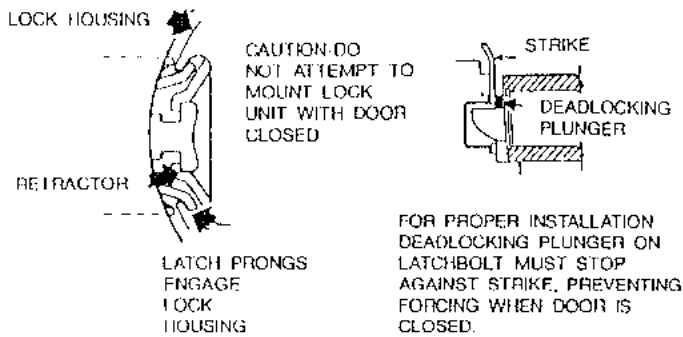


5. ADJUST ROSE (LOWER LOCK)

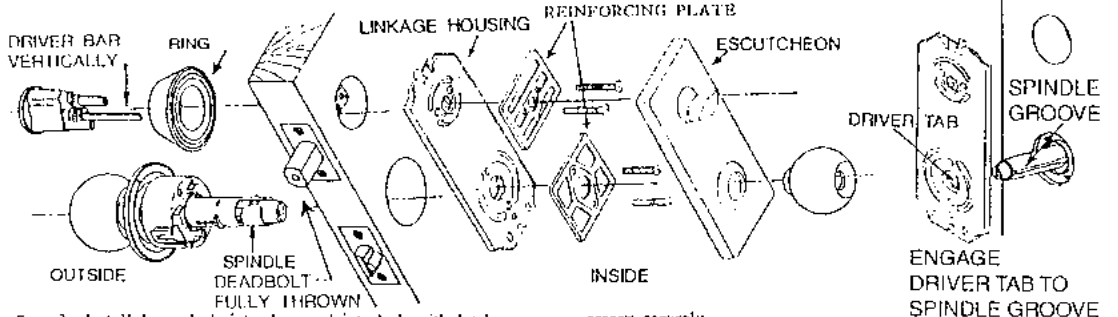


6. INTERLOCK UNITS (LOWER LOCK)

Latch unit must be in place before installing lock. Be sure lock housing engages with latch prongs and retractor interlocks with latch bar.



7. ATTACH INSIDE AND OUTSIDE TRIM



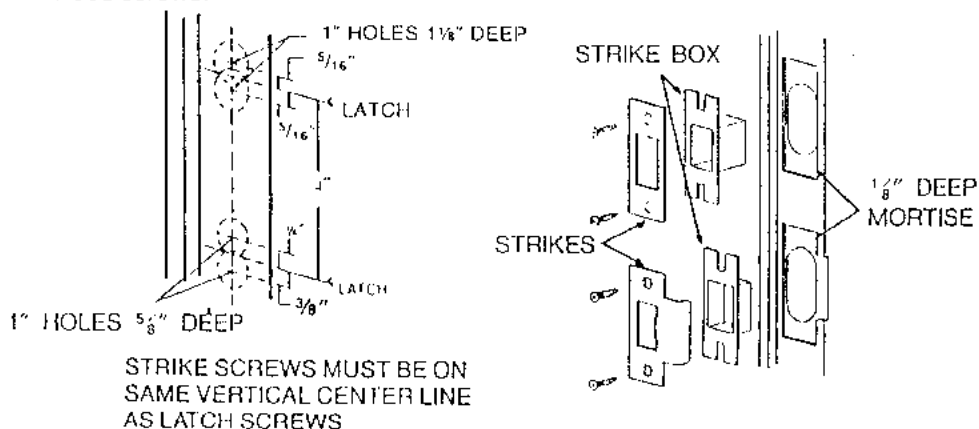
- Step 1 Install lower lock into door and interlock with latch. Slide linkage onto spindle so driver tab engages with spindle groove. Fasten together lightly with lower lock mounting screws, first passing them thru larger reinforcing plate.
- Step 2 With key removed from upper cylinder lock, driver bar in vertical position and key hole face down, insert cylinder into ring, driver bar thru latch and linkage. Put cylinder mounting screws thru cylinder reinforcing plate and fasten. Tighten all mounting screws securely.
- Step 3 Fit escutcheon over linkage housing checking to see that driver bar slides into thumb turn then snap into place.
- Step 4 Slide knob over spindle to knob catch, then depress catch and push knob into place.

IMPORTANT! Deadbolt must be fully thrown and Driver Bar must be in vertical position, whenever to attach or remove escutcheon.

8. INSTALL STRIKES

Mark door jamb exactly opposite center points of bolt & latch. Bore and clear out holes for strike box. Cut-out (mortise) for proper fit as illustrated. Install strike box, and strikes.

Bolt & latch must project into strikes without binding. Complete installation with wood screws.



9. TO CHANGE LOCK HAND

If necessary to change hand of the lock so cylinder will be in the correct position as shown, refer to following instructions:



1. Insert small pointed tool into hole in outside hub cap.
2. Exert pressure and at the same time insert key, turn slowly until knob catch depresses; then pull off knob.
3. Turn knob over with key partly removed from cylinder, replace knob on spindle.
4. Slide knob up to knob catch.
5. Turn key one-quarter turn in same direction as before, depress knob catch and push knob into position.

WD-0D002(045)