



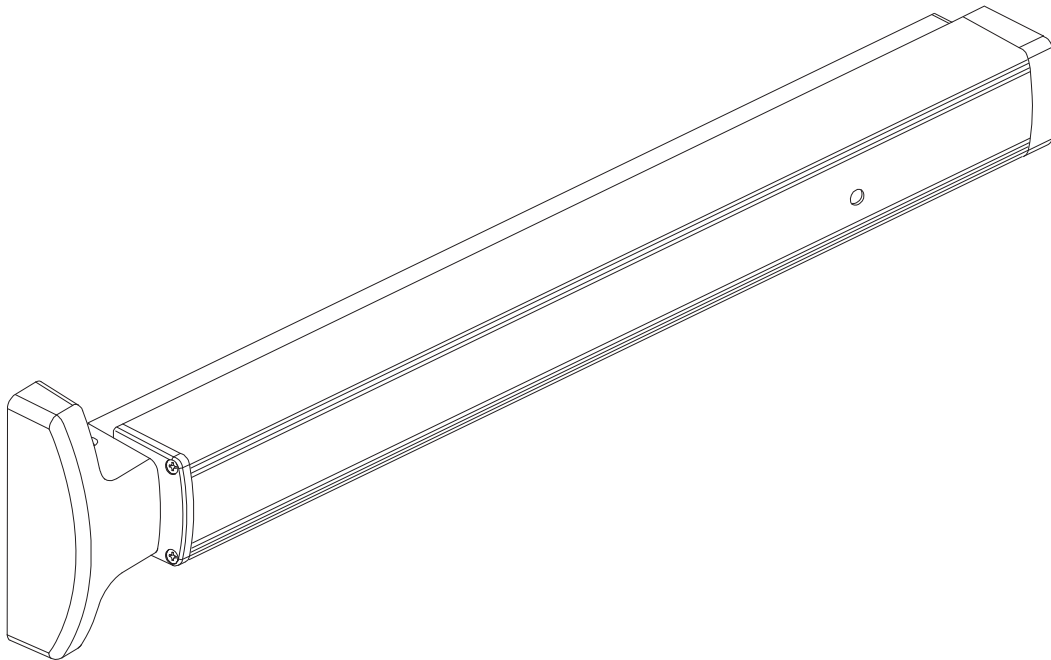
24187247

HH 1690

FALCON®

Concealed Vertical Rod Touchbar Panic Device

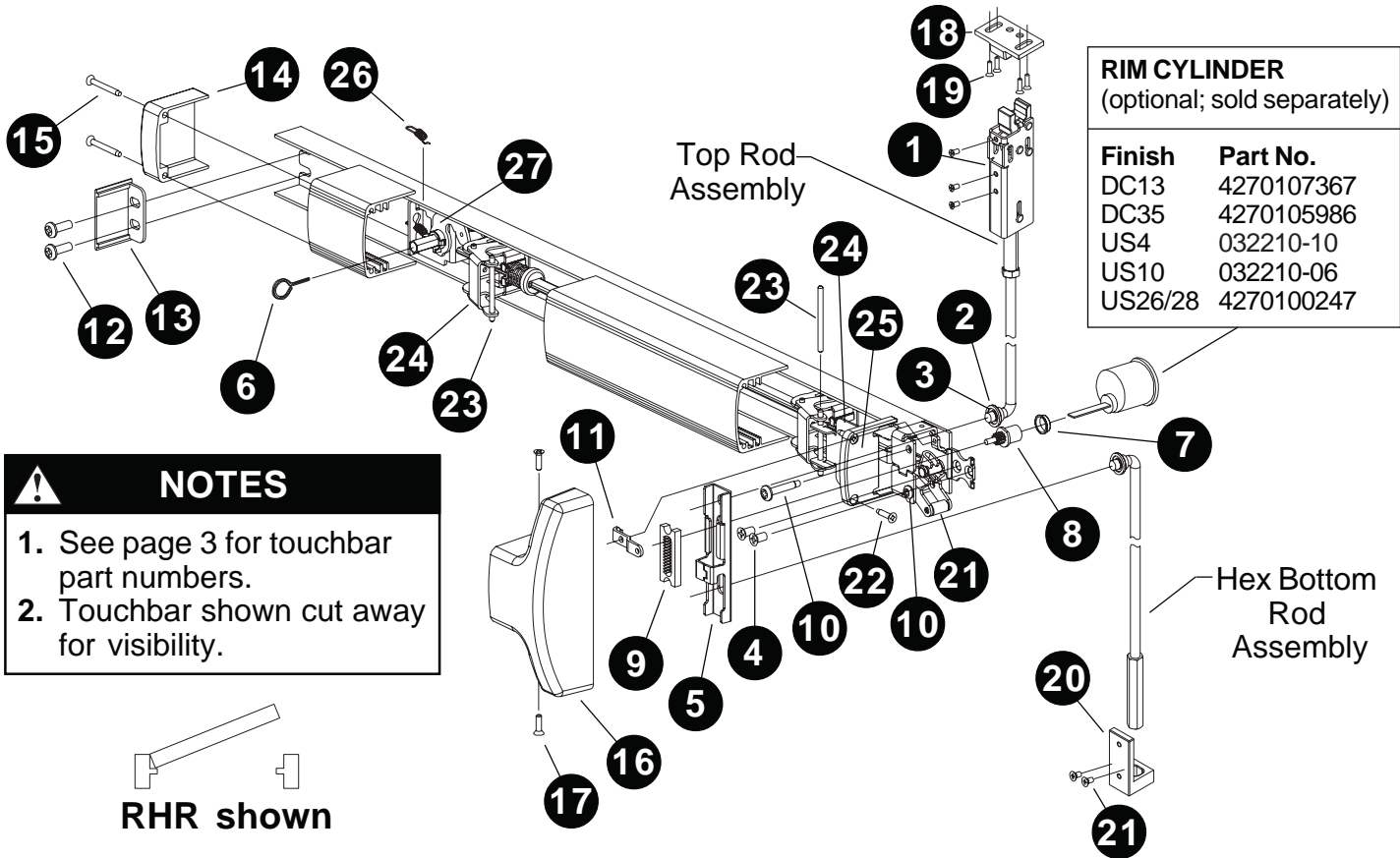
Installation Instructions



NOTE: The door prep for the HH 1690 Device is different than the standard 1690 Device. Please verify prep required (page 4) before prepping the door.

Index:	
• Parts List	2
• Touchbar Part Numbers	3
• Before Installation	3
• Template	4

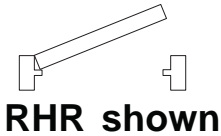
PARTS LIST



RIM CYLINDER (optional; sold separately)	
Finish	Part No.
DC13	4270107367
DC35	4270105986
US4	032210-10
US10	032210-06
US26/28	4270100247

NOTES

1. See page 3 for touchbar part numbers.
2. Touchbar shown cut away for visibility.



Package No. PKG.150 (US28 finish) or Package No. PKG. 151 (DC13/DC35 finish)			
Item	Quantity	Description	Part No.
1	4	#10-32 x 1/4" UFPHMS US28 finish	963125-00
		DC13/DC35 finish	4270902255
2	2	Rod bearing bushing	BUSH.108
3	4	Retaining ring	RRING.108
4	2	1/4-20 x 1/2" FPHMS	SCREW.1052
5	1	Traveler liftbracket	BRKT.138
6	1	5/32" hex dogging key	4270106944

Package No. CYLASY.1083			
Note: Optional. Required with rim cylinder only.			
Item	Quantity	Description	Part No.
7	1	Cylinder bushing	4270100663
8	1	Pinion cam	4270100566
9	1	Retractor	4270903161
10	1	Retainer screw	SCREW.1049
11	1	Pinion support bracket	BRKT.133

Package No. 4270902993			
Note: For use with EO and DT devices only.			
Item	Quantity	Description	Part No.
10	1	Retainer screw	SCREW.1049
11	1	Pinion support bracket	BRKT.133

Package No. ECAP.130			
Item	Quantity	Description	Part No.
12	2	1/4-20 x 1/2" PPHMS	4299100074
13	1	Channel end cap	ECAP.127
14	1	Hinge stile touchbar end cap	ECAP.128
15	2	#8 x 1-1/4" FPHTF	4299101314

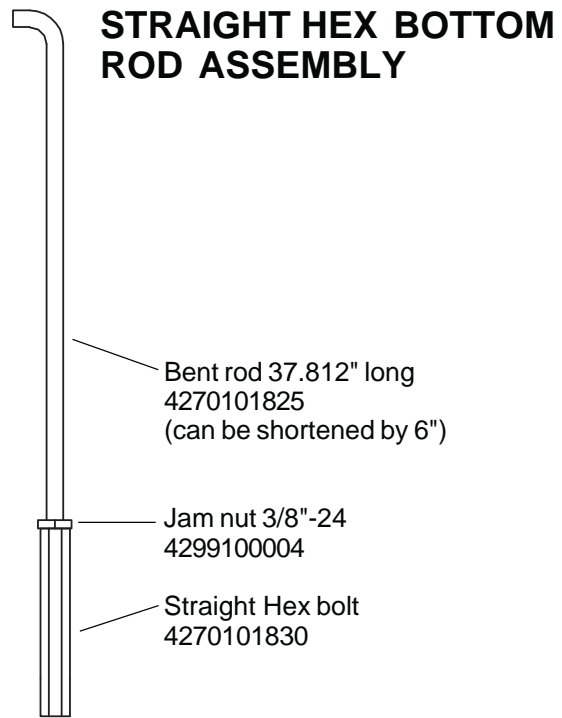
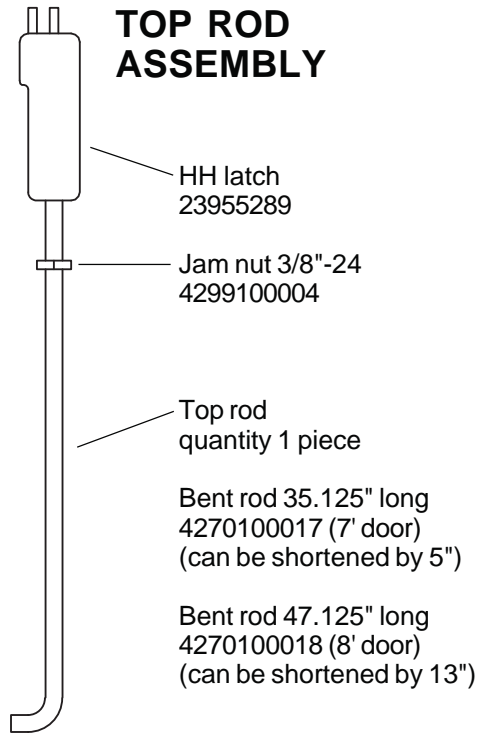
Package No. COVER.113			
Item	Quantity	Description	Part No.
16	1	Center case cover	COVER.112
17	2	#8 x 5/8" PPHTC Sems	4299101318

Package No. 23955255-00			
Note: Contains strike and four mounting screws.			
Item	Quantity	Description	Part No.
18	1	Strike	Strk. 134
19	4	12x24 1/2" UFPHMS	964064-00

Package No. Guide 102 (US28 finish) or Package No. Guide 103 (DC13/DC35 finish)			
Item	Quantity	Description	Part No.
20	1	HH hex rod guide	4270109237
21	4	10-32 x 3/8" FPHMS US28 finish	4299100659
		DC13/DC35 finish	4299101011

Item	Quantity	Description	Part No.
22	1	Lift arm	BRKTASSY.107
23	2	#8 x 3/4" FPHTF	4299101313
24	2	Touchbar pin	PIN.125
25	2	Touchbar anchor	BRKT.128
26	1	Lock stile touchbar end cap	ECAP.129
27	1	Dogging spring	971493-89
28	1	Dogging assembly DC13/DC35 finish	KIT.1022
		US28 finish	KIT.1021

PARTS LIST (CONTINUED)



TOUCHBAR PART NUMBERS

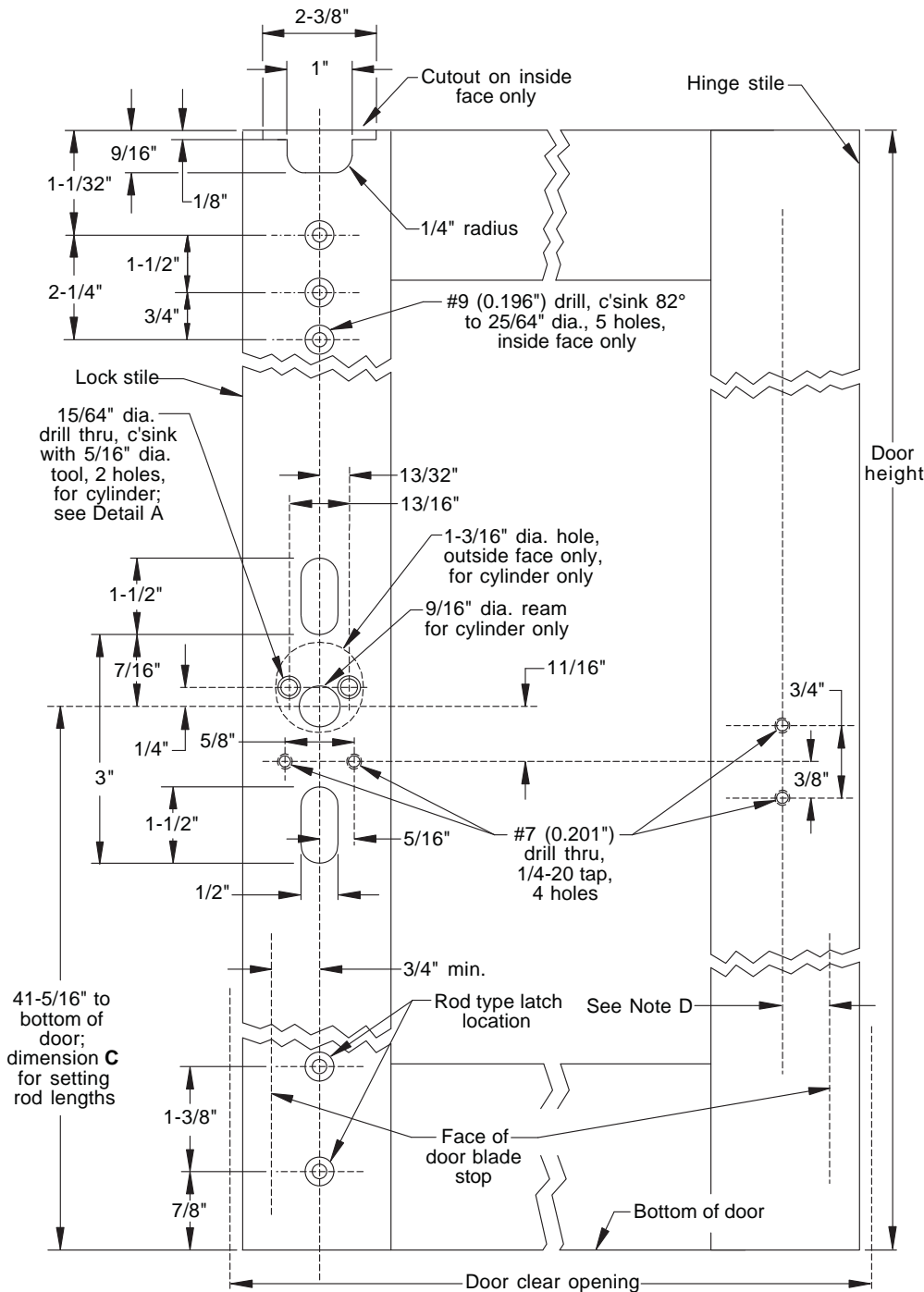
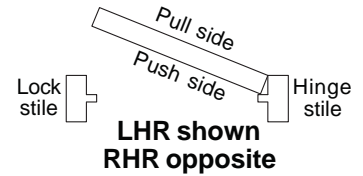
Finish	30" Nominal Device Length (24.785" Extrusion Length)		36" Nominal Device Length (30.785" Extrusion Length)		42" Nominal Device Length (36.785" Extrusion Length)		48" Nominal Device Length (42.785" Extrusion Length)	
	Without Dogging Hole	With Dogging Hole	Without Dogging Hole	With Dogging Hole	Without Dogging Hole	With Dogging Hole	Without Dogging Hole	With Dogging Hole
DC13	EXT.825	EXT.828	EXT.399	EXT.609	EXT.439	EXT.736	EXT.443	EXT.739
DC35	EXT.826	EXT.829	EXT.400	EXT.631	EXT.441	EXT.737	EXT.444	EXT.740
US3	EXT.2323	EXT.2351	EXT.2324	EXT.2355	EXT.2341	EXT.2359	EXT.2298	EXT.2363
US10	EXT.2333	EXT.2352	EXT.2334	EXT.2356	EXT.2345	EXT.2360	EXT.2303	EXT.2364
US26	EXT.2338	EXT.2353	EXT.2339	EXT.2357	EXT.2349	EXT.2361	EXT.2304	EXT.2365
US26D	EXT.2340	EXT.2354	EXT.2289	EXT.2358	EXT.2350	EXT.2362	EXT.2294	EXT.2366
US28	EXT.830	EXT.827	EXT.398	EXT.608	EXT.438	EXT.646	EXT.442	EXT.738

BEFORE INSTALLATION

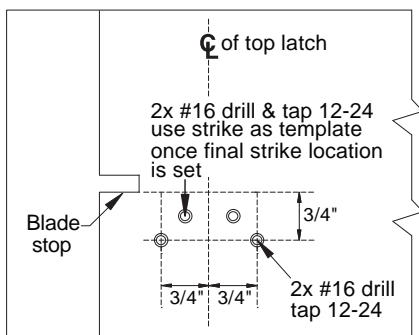
1. Check "Parts List" (see page 2).
2. Prepare door using template on page 4.
3. Set initial rod lengths (see ININST.1002 page 11). Rods are factory set for standard 7' door.
4. If door width is non-standard, cut device (see ININST.1002 page 12).
5. If necessary, re-hand device (see ININST.1002 page 11).
6. Continue with installation instructions in sheet ININST.1002.

With HH Rods and Latches

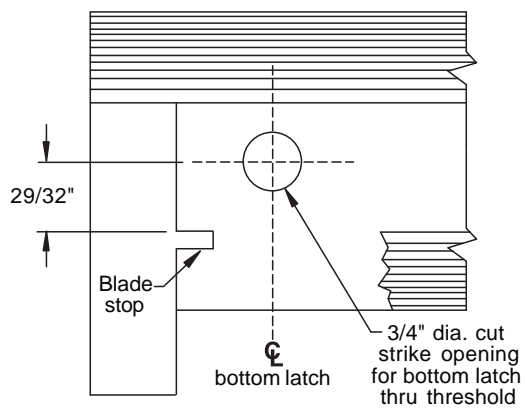
HH 1690 Touchbar Concealed Vertical Rod Panic Device Door Preparation Template



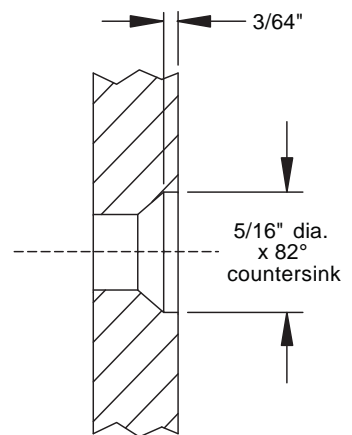
- NOTES**
1. All holes inside face only except as noted.
 2. All dimensions for 1-3/4" thick, 1/8" wall doors. Consult factory for others.



**Bottom Plan View, Head Jamb (looking up)
Showing Upper Strike Mounting Holes**



**Top Plan View, Rod Latch
Showing Strike Cutout in Threshold
for Round Latch**



**Detail A
(for cylinder)**