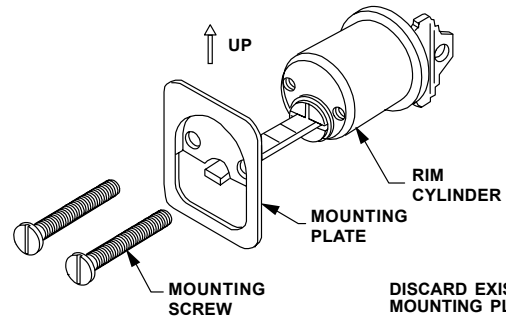




**FALCON®**

**D-4301**

**(F)18-RIM(F)XX-Rim**  
Rim Cylinder Assembly Installation Instructions



**DISCARD EXISTING  
MOUNTING PLATE**



© Allegion 2014  
Printed in U.S.A.  
D-4301 Rev. 01/14-b