



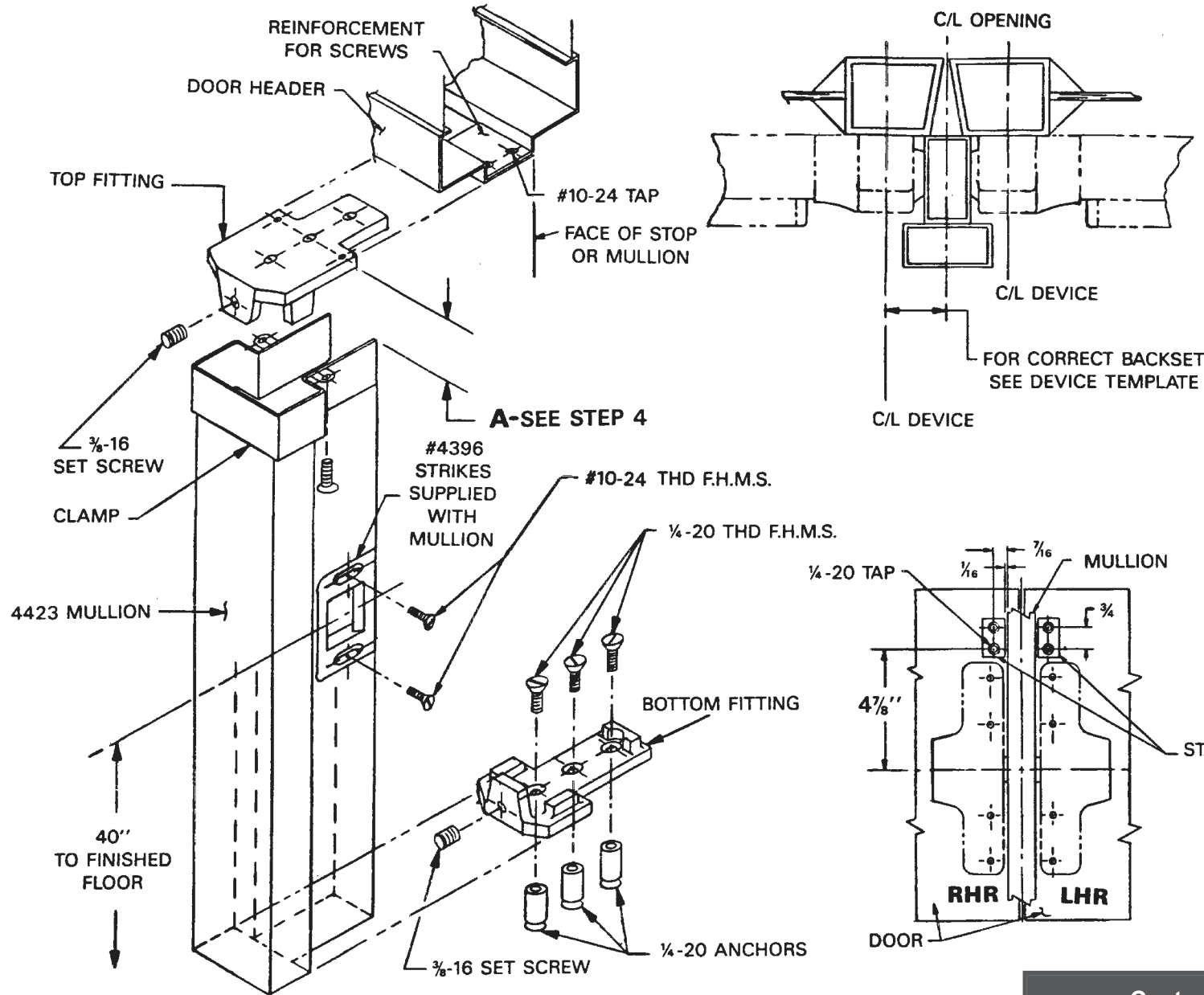
D-4022

Mullion

4423

FALCON

Installation Instructions



1. Install bottom fitting using anchors provided.
 2. Prepare frame for top fitting. Reinforcement recommended as shown.
 3. Install top fitting.
 4. Cut mullion to $\frac{1}{8}$ " clearance between mullion and top fitting flange (**A** $\frac{1}{8}$ " less than total dimension between top fitting mounting surface and finished floor).
 5. Slide top fitting clamp onto mullion, slide mullion on top fitting and then set onto bottom fitting.
 6. Install clamp.
 7. Tighten set screws securely.
 8. Install stabilizer blocks (see Fig. B).
 9. Install strikes. Proceed with device installation.
- NOTE:** Ref. C/L device is 40" to finished floor.

NOTE: A cut mullion to provide $\frac{1}{8}$ " gap between top of mullion and top fitting (see Step 4).

Customer Service
 1-877-671-7011 www.allegion.com/us



© Allegion 2014
 Printed in U.S.A.
 D-4022 Rev. 01/14-b