



D-4023

Mullion

# 4023 & F4023

# FALCON

Installation Instructions

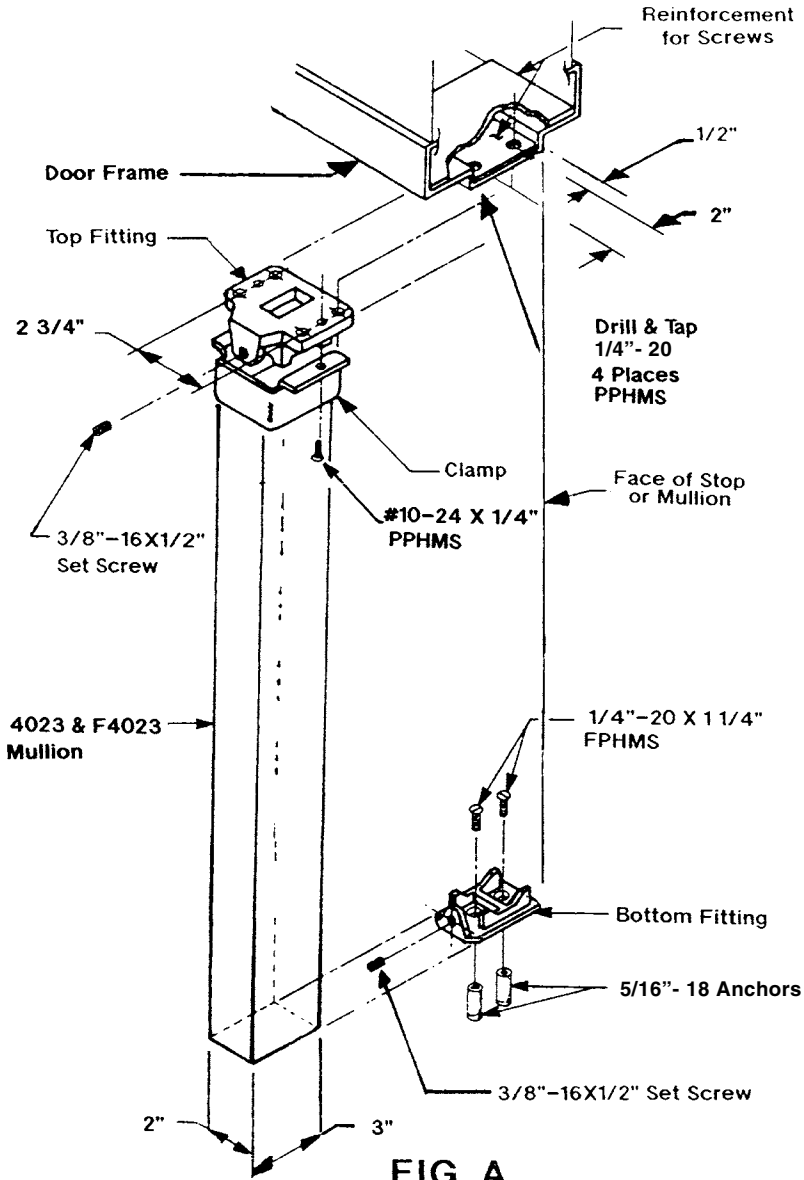


FIG. A

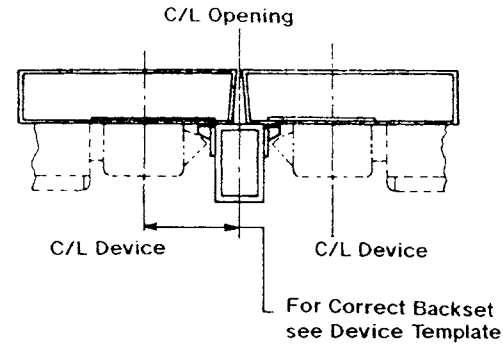


FIG. B

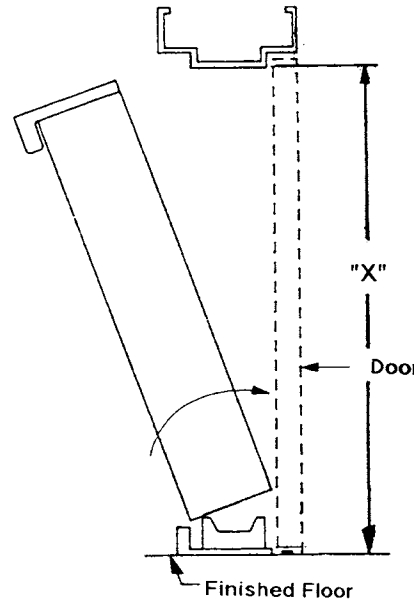


FIG. C

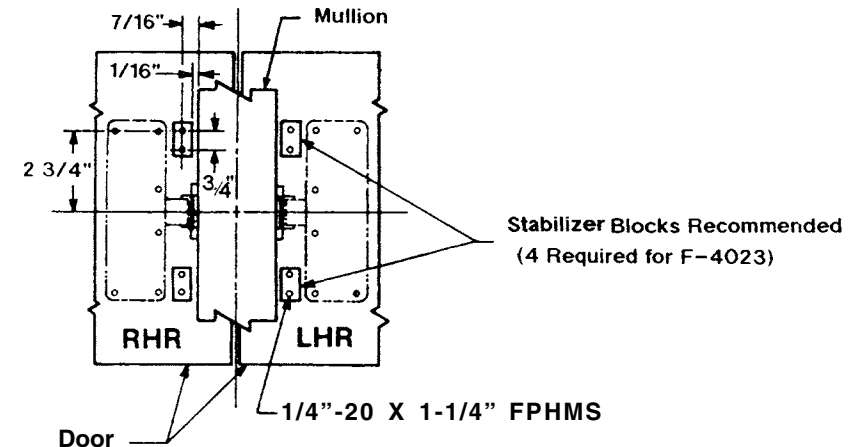


FIG. D

## DIRECTIONS

1. INSTALL BOTTOM FITTING USING ANCHORS PROVIDED AS SHOWN IN FIG. A. AND FIG. B.
2. DRILL AND TAP FRAME FOR TOP FITTING AS SHOWN IN FIG. A.
3. VERIFY MULLION LENGTH AS FOLLOWS:
  - A) PLACE TOP MULLION FITTING INTO TOP OF MULLION.
  - B) LOCATE MULLION INTO DOOR OPENING AS SHOWN IN FIG. C.
  - C) IF MULLION DOES NOT FIT INTO OPENING THEN
    - 1) MEASURE OPENING SIZE "X" AS SHOWN IN FIG. C.
    - 2) CALCULATE REQUIRED LENGTH = "X" - 1 1/4"
    - 3) CUT MULLION TO THE REQUIRED LENGTH AND REINSTALL MULLION INTO OPENING.
4. INSTALL TOP MULLION FITTING WITH (4) MOUNTING SCREWS INTO DOOR FRAME.
5. INSTALL CLAMP WITH #10-24 SCREWS, SEE FIG. A.
6. INSTALL 3/8"-16 SET SCREWS SECURELY INTO TOP AND BOTTOM FITTING.
7. INSTALL STABILIZER BLOCKS IF REQUIRED. SHOWN IN FIG. D.
8. PROCEED WITH DEVICE INSTALLATION.

Customer Service  
 1-877-671-7011 www.allegion.com/us



© Allegion 2014  
 Printed in U.S.A.  
 D-4023 Rev. 01/14-b