



47260191

**FALCON**

# 218 Series Pull Plate Trim

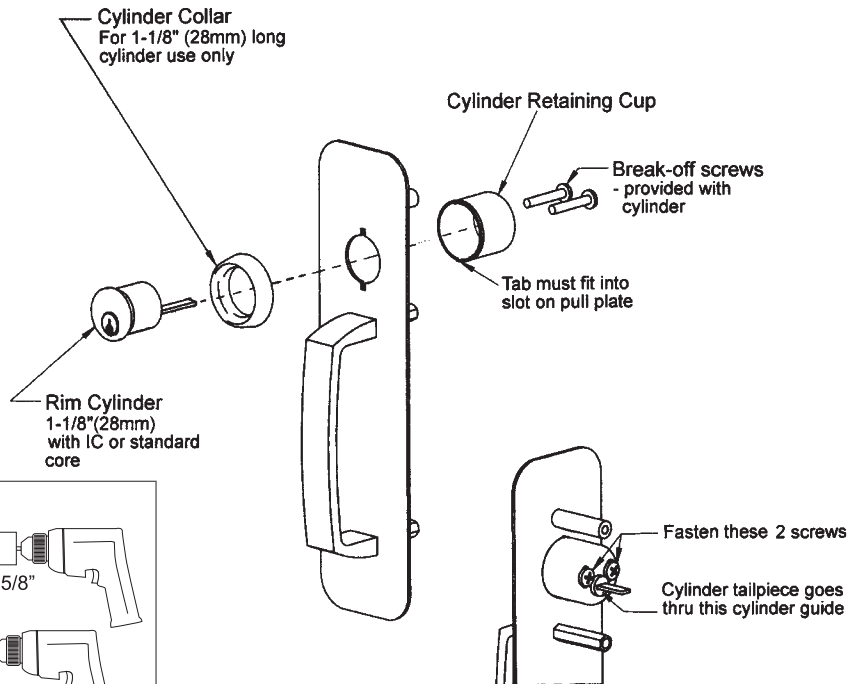
For use with Economy Type Exit Devices

Installation Instructions

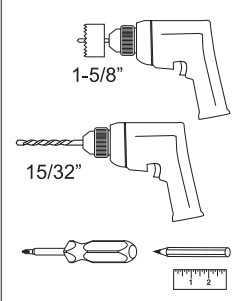
## Install Cylinder

- **For dummy pull plate, skip to steps for “Install Pull Plate”.**
1. Use template to mark hole locations on door. If all holes have been drilled or cut, see next step to install cylinder.
  2. Install rim cylinder through provided cylinder collar.
  3. Insert the rim cylinder through hole in pull plate, and insert cylinder retaining cup from the back side of the pull plate.
  4. Fasten rim cylinder assembly using two break-off screws provided.

Note: The thinner cylinder collar provided with the rim cylinder is for use with cylinders purchased from competitor cylinder suppliers.



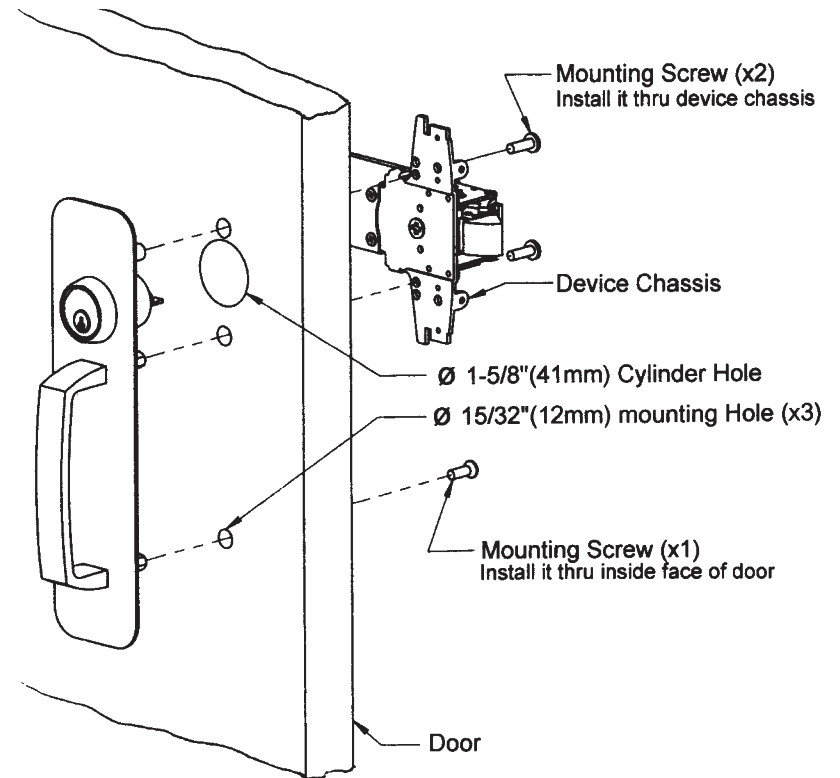
### Tools



**Customer Service**  
 1-877-671-7011    www.allegion.com/us

## Install Pull Plate

1. Insert pull plate assembly on the door.
2. The rim cylinder tailpiece should insert into the exit device cam approximately 7/16" (11 mm). If the tailpiece is too long and extends beyond the inside face of the door, carefully measure and mark at the closest break-off line. Then use pliers to break the tailpiece to the appropriate length.
3. Fasten pull plate and exit device using the three (3) mounting screws provided.



© Allegion 2017  
 Printed in U.S.A.  
 47260191 Rev. 12/17-a