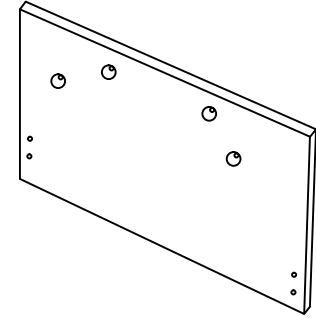
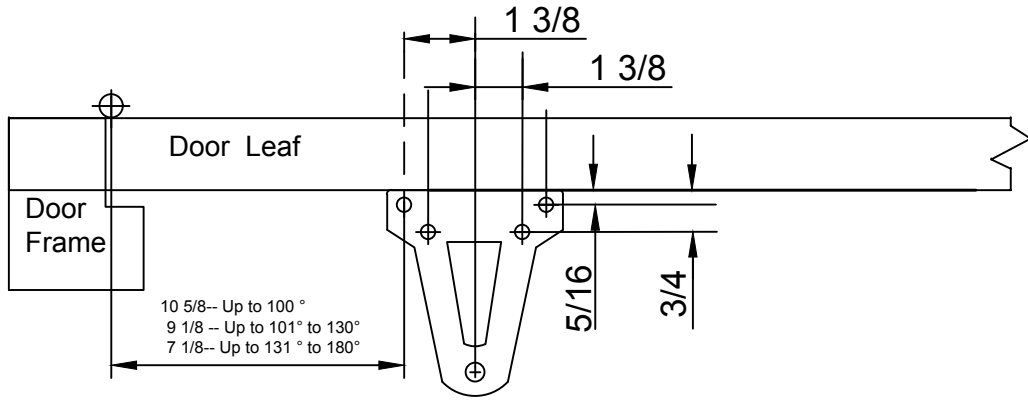
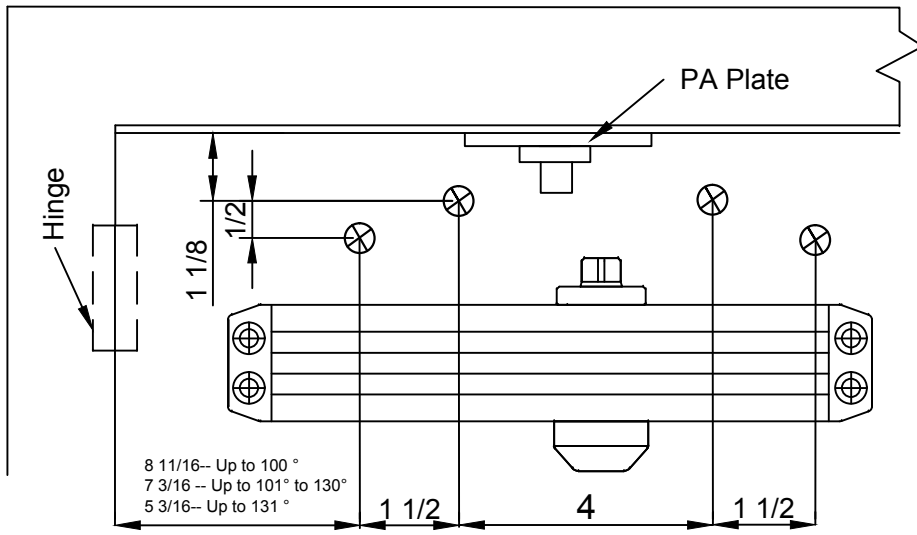


DCL2000/DCR8000-DP18 PA Push Side (Door Mount)
 Allowing 180° Max. Opening, Max.Hinge Size 5"x5"



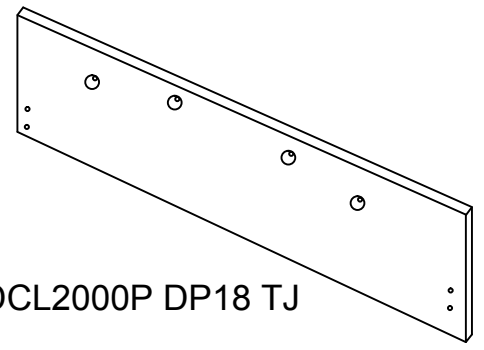
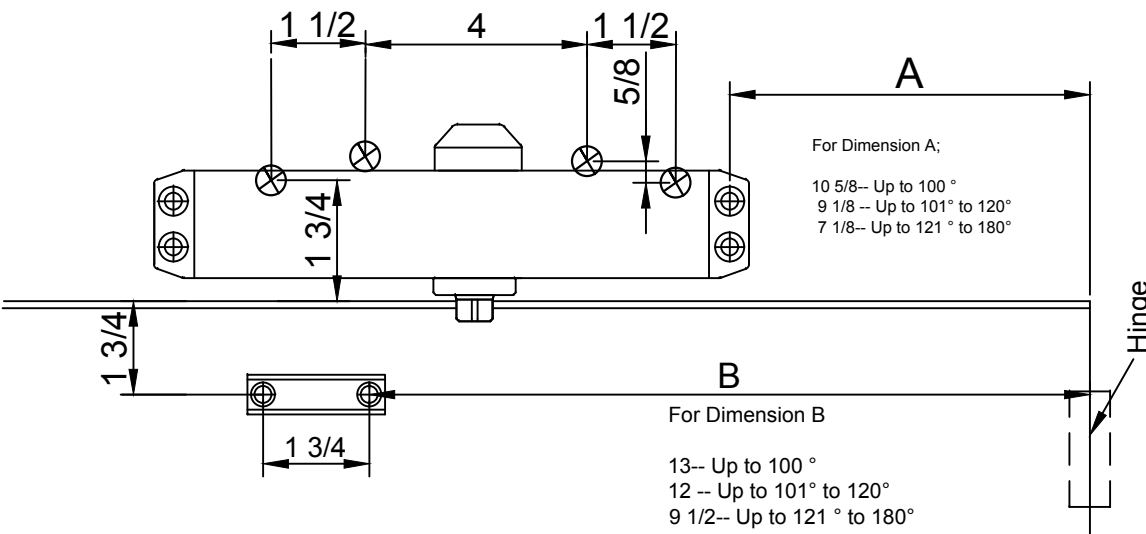
DCL2000P DP18 PA



LDP Drop Plate (3-1/2") tall

Left Hand Door shown, use opposite for right hand door.

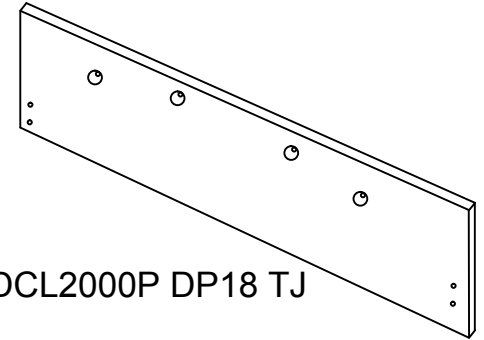
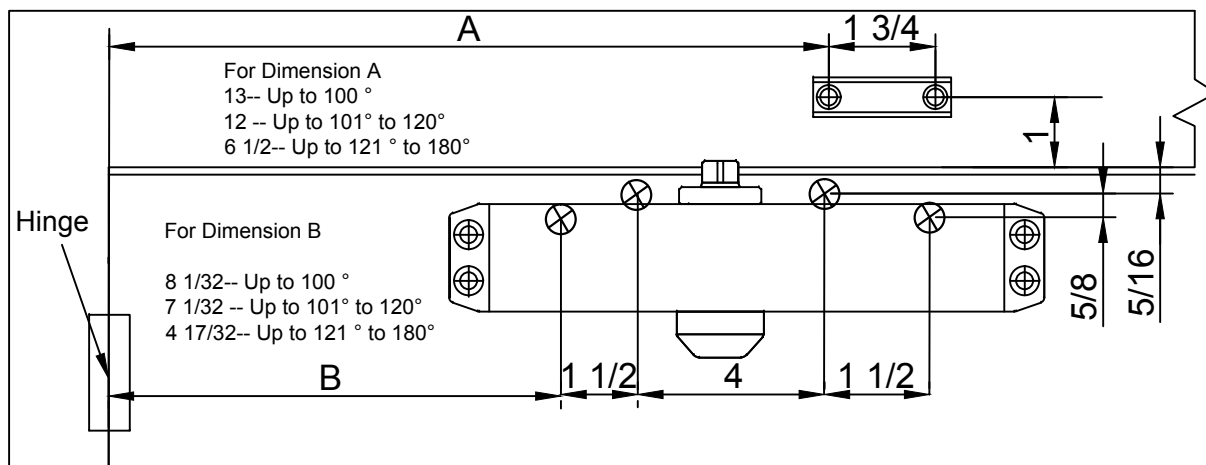
DCL2000/DCR8000 DP18 TJ - Push Side (Top Jamb)
 Allowing 180° Max. Opening, Max.Hinge Size 5"x5"



DCL2000P DP18 TJ

Narrow Drop Plate (2-9/16") tall
 Right Hand Door shown, use opposite for left hand door.

DCL2000/DCR8000 DP18 TJ - Pull Side (Door Mount)
 Allowing 180° Max. Opening, Max.Hinge Size 5"x5"



DCL2000P DP18 TJ

Narrow Drop Plate (2-9/16") tall
 Right Hand Door shown, use opposite for left hand door.