



Lites and louvers



Advantage Lites & Louvers

Door louvers and vision lites for a wide variety of applications

Allegion's extensive line of lites and louvers for standard wood and metal doors satisfies designer requirements for both functionality and aesthetics. We offer a full range of UL certifications for our vision lites to help meet door security needs for code compliance and life safety.

BAA/TAA BUY AMERICAN COMPLIANCE

- Vision lites and door louvers are manufactured and assembled in the USA. Most products meet BAA/TAA, excluding SLIMPORT vision lites and some fasteners.

MINIMUM ORDER

- \$50.00 net

CLAIMS

- All claims for shortage or improper filling of an order should be made within 10 days of receipt.

RETURNS

- No returns accepted without prior authorization. Returns should be made within 30 days of authorization, freight prepaid, 45% restocking and handling charge. Returns made after 30 days from the date of delivery will receive a credit to customer account to be applied to future orders. Nonstandard and specialty fabricated items are not returnable.

CANCELLATION CHARGE

- 20% if order is fabricated and packed.

TERMS

- Net 30 – Payable in U.S. currency.

WARRANTY

- See Advantage price book for warranty information.

Advantage Lites & Louvers is committed to ongoing product improvement through design enhancements and manufacturing advances. Accordingly, catalog specifications, product availability and price are subject to change without notice.

Contents

Brand overview.....	2
BAA/TAA Compliance and standard terms.....	2
Free flow door louvers	
How to order door louvers.....	4
One-side security-mount models	
4CY Vision-proof louver, 24-gauge blades for 1 3/4" doors.....	5
40Y Vision-proof cartridge louver, 24-gauge blades for transom	6
100AFL Vision-proof louver, fusible-link for 1 3/4" doors.....	7
700AA Vision-proof aluminum louver for 1 3/8" to 2 1/4" doors.....	8
Thru-bolt models	
XX4CY Vision-proof louver, 24-gauge blades for 1 3/4" doors.....	9
XX700AA Vision-proof aluminum louver for 1 3/4" doors.....	10
Vision lites	
How to order vision lites and glass.....	11
One-side security-mount models	
88G4 Vision lite, fire-rated, for 1 3/8" doors and glass 1/4" thick.....	12
88G8 Vision lite, fire-rated, for 1 3/8" doors and glass 3/8" thick	13
88G2 Vision lite, fire-rated, for 1 3/8" doors and glass 1/2" thick	14
784G Vision lite, fire-rated, for 1 3/4" doors and glass thickness 3/16", 1/4", 5/16"	15
784G3 Vision lite, fire-rated, for 1 3/4" doors, with 3/16" thick Pyran F glass (included)	16
784G5 Vision lite, fire-rated, for 1 3/4" doors, with 5/16" thick SuperLite I-W glass (included)	17
784G-SS Vision lite, fire-rated, stainless steel frame for 1 3/4" doors and glass thickness 3/16", 1/4", 5/16"	18
X500G Vision lite, fire-rated, for 1 3/4" doors and glass 1/2" thick	19
X625G Vision lite, fire-rated for 1 3/4" doors and glass 5/8" thick	20
X750G Vision lite, fire-rated for 1 3/4" doors and glass 3/4" thick	21
X875G Vision lite, fire-rated for 1 3/4" doors and glass 7/8" thick.....	22
X1000G Vision lite (previously model #X84G), fire-rated, for 1 3/4" doors and glass 1" thick.....	23
SLIMPORT™ Circular vision lites	24
Thru-bolt models	
XX784G Vision lite, fire-rated, for 1 3/4" doors and glass thickness 3/16", 1/4", 5/16"	25
XX784G3 Vision lite, fire-rated, for 1 3/4" doors, with 3/16" thick Pyran F glass (included)	26
XX784G5 Vision lite, fire-rated, for 1 3/4" doors, with 5/16" thick SuperLite I-W glass (included)	27
XX500G Vision lite, fire-rated, for 1 3/4" doors and glass 1/2" thick	28
XX625G Vision lite, fire-rated, for 1 3/4" doors and glass 5/8" thick	29
XX750G Vision lite, fire-rated, for 1 3/4" doors and glass 3/4" thick.....	30
XX875G Vision lite, fire-rated, for 1 3/4" doors and glass 7/8" thick.....	31
XX1000G Vision lite (previously model #XX84G), fire-rated, for 1 3/4" doors and glass 1" thick.....	32
Accessories	
Door support clips	
134C 20-Gauge clip for 1 3/4" hollow metal doors	33
Glazing tape	
8716V PVC Foam glazing tape 1/16" thick x 3/8" wide	33
8718V PVC Foam glazing tape 1/8" thick x 3/8" wide	33
FS2002-PSA Intumescent glazing tape 1/16" thick x 1/2" wide	33
Attachment screws	
7823Z Optional sheet metal screw pack for thru-bolt XX models.....	33
7824 Optional wood screw pack for thru-bolt XX models	33

How to order Advantage louvers

Louvers

Model	Opening size	Finish	Options
4CY	1010	GY	SEC

Model

One-side security-mount (Comes with sheet metal screws)

4CY	Vision-proof louver, steel, inverted "V", 20 g frame, 24 g blades - 1 3/4" doors
4OY	Vision-proof louver, steel, inverted "V", 20 g frame, 24 g blades - transom any thickness
100AFL	Vision-proof louver, fusible link, 16 g, 1 3/4" doors
700AA	Vision-proof louver, aluminum, inverted "V", 1 3/8" - 2 1/4" doors (std. finish is ALF)

Thru-bolt mount (Comes with thru sex bolts)

XX4CY	Vision-proof louver, inverted "V", 20 g frame, 24 g blades - 1 3/4" doors
XX700AA	Vision-proof louver, aluminum, inverted "V", 1 3/4" doors, (std. finish is ALF)

Opening size (width x height)

Order by rough opening size.

Size is always 2 digits for width 2 digits for height - Example 8" x 8" would be 0808.

Finish

GY	Grey
BG	Beige
DB	Dark bronze

(Note: 700AA and XX700AA available in standard aluminum silver powder coat only, ALF, no code required.)

(Note: 100AFL available in GY finish only. Specify GY when ordering.)

Special fasteners

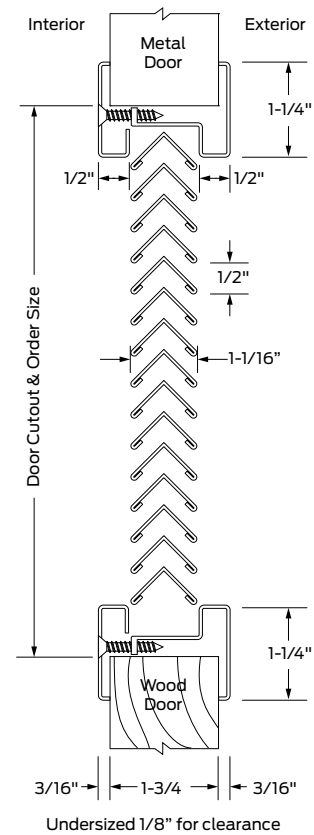
SEC	Security screws or security thru bolts
------------	--

Door louvers
One-side security-mount

Vision-proof louver

4CY

For use with	1 3/4" wood and metal doors
Construction	Cold rolled galvanized A40 steel <ul style="list-style-type: none"> ▪ 18 gauge frame ▪ 24 gauge blades
Blade design	<ul style="list-style-type: none"> ▪ Inverted "V" ▪ Hemmed edges
Mounting	<ul style="list-style-type: none"> ▪ Counter-sunk mounting screw-holes ▪ #8 x 3/4" Phillips head SMS
Other features	<ul style="list-style-type: none"> ▪ Welded reinforcing clips at corners ▪ Mitered and welded corners
Louver free area (as % of order size)	55%
Order size	Rough opening size
Overall size	1 1/4" wider and higher than order size
Finish	Standard colors, powder coated: Grey, Beige, Dark bronze
Options	<ul style="list-style-type: none"> ▪ TORX Security screws – specify SEC ▪ Available in uneven and fractional sizes—priced to next highest whole inch increment in the price book.



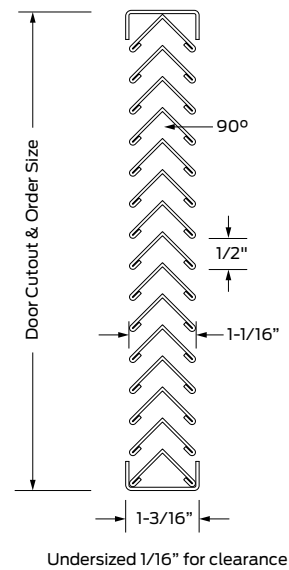
Door louvers

One-side security-mount

Vision-proof transom louver

40Y

For use with	Transom in any door or wall up to 2 1/4" thick
Construction	Cold rolled galvaneal A40 steel <ul style="list-style-type: none">20 gauge frame24 gauge blades
Blade design	<ul style="list-style-type: none">Inverted "V"Hemmed edges
Mounting	Mounts in transom space using frame or quarter round supplied by customer.
Other features	<ul style="list-style-type: none">Welded reinforcing clips at cornersMitered and welded corners
Louver free area (as % of order size)	55%
Order size	Rough opening size
Overall size	1/16" less than width and height of order size
Finish	Standard colors, powder coated: Grey, Beige, Dark bronze
Options	Available in uneven and fractional sizes—priced to next highest whole inch increment in the price book.



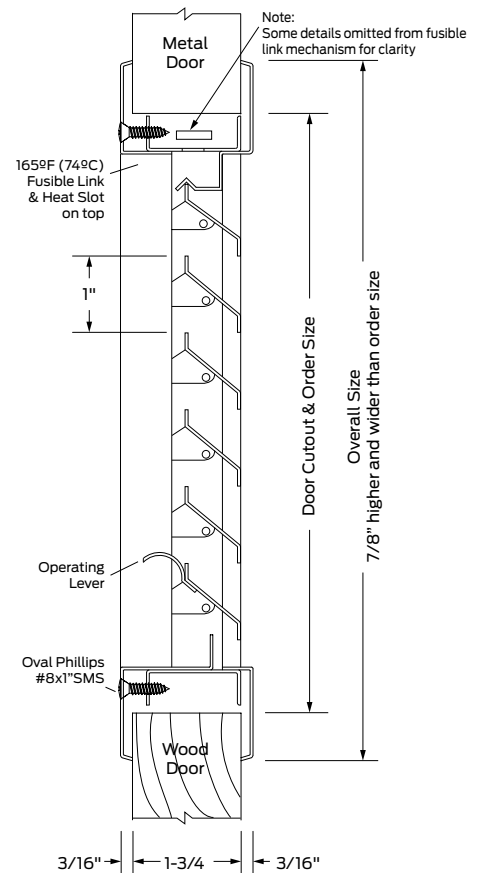
Door louvers

One-side security-mount

Vision-proof fusible-link fire-rated

100AFL

For use with	1 3/4" wood and metal doors
Construction	<ul style="list-style-type: none"> 16 gauge cold rolled steel frame 16 gauge fusible link louver blades Factory-installed spring-loaded fusible link Activated at 165°F (74°C)
Blade design	<ul style="list-style-type: none"> "Z" louver blade design Louver blades are operated by a manual adjusting tab and pivot on cadmium-plated steel rivets.
Mounting	<ul style="list-style-type: none"> Oval Phillips 8 x 1" sheet metal screws No screws visible on exterior side; frame screws to itself.
Louver free area (as % of order size)	40%
Order size	Rough opening size
Overall size	7/8" wider and higher than order size
Finish	Standard color, powder coated: Grey
Options	Replacement fusible links available: Part # 100RFL



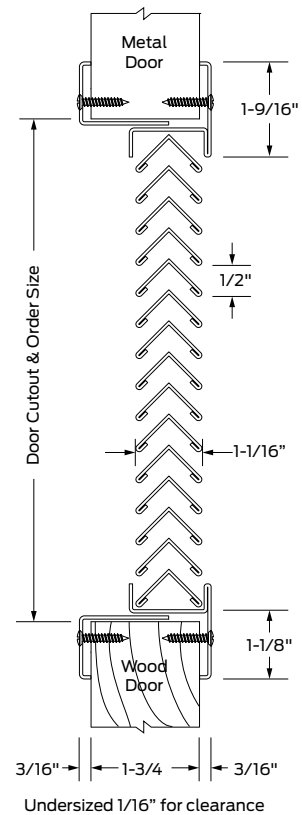
Door louvers

One-side security-mount

Vision-proof aluminum door louver

700AA

For use with	1 3/8" to 2 1/4" wood and metal doors
Construction	Extruded aluminum <ul style="list-style-type: none"> ▪ Frame: .050" ▪ Blades: .050"
Blade design	Inverted "V"
Mounting	<ul style="list-style-type: none"> ▪ Counter-sunk mounting screw-holes ▪ #8 x 3/4" Phillips head SMS
Other features	Mitered corners secured with reinforcing clips
Louver free area (as % of order size)	55%
Order size	Rough opening size
Overall size	2 1/4" wider and higher than order size
Finish	Standard color, powder coated: Aluminum silver
Options	<ul style="list-style-type: none"> ▪ TORX Security screws – specify SEC ▪ Available in uneven and fractional sizes—priced to next highest whole inch increment in the price book.



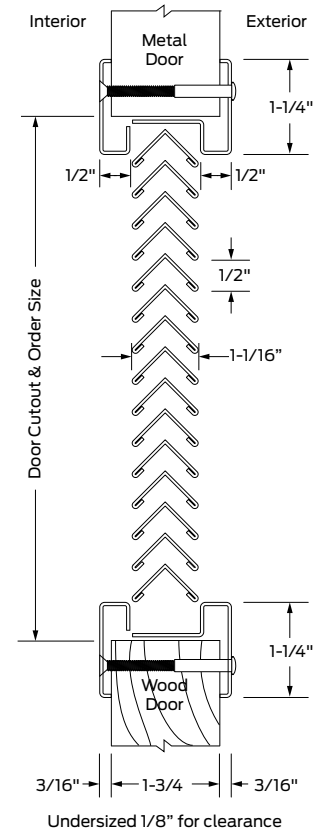
Door louvers

Thru-bolt

Vision-proof louver

XX4CY

For use with	1 3/4" wood and metal doors
Construction	Cold rolled galvanized A40 steel <ul style="list-style-type: none"> ▪ 18 gauge frame ▪ 24 gauge blades
Blade design	<ul style="list-style-type: none"> ▪ Inverted "V" ▪ Hemmed edges
Mounting	<ul style="list-style-type: none"> ▪ Counter-sunk mounting screw-holes ▪ Thru bolts
Other features	<ul style="list-style-type: none"> ▪ Welded reinforcing clips at corners ▪ Mitered and welded corners
Louver free area (as % of order size)	55%
Order size	Rough opening size
Overall size	1 1/4" wider and higher than order size
Finish	Standard colors, powder coated: Grey, Beige, Dark bronze
Options	<ul style="list-style-type: none"> ▪ TORX Security thru bolts – specify SEC ▪ Available in uneven and fractional sizes—priced to next highest whole inch increment in the price book.



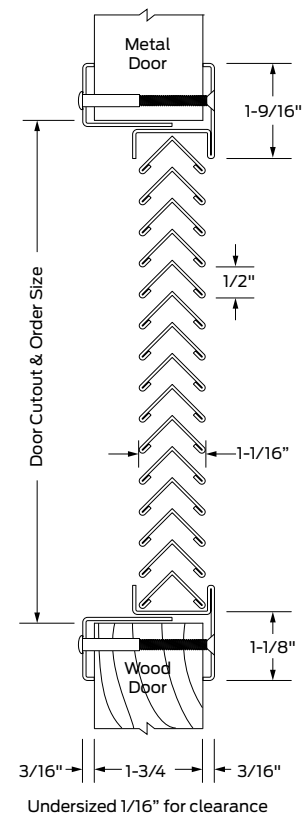
Door louvers

Thru-bolt

Vision-proof aluminum louver

XX700AA

For use with	1 3/4" wood and metal doors
Construction	Extruded aluminum <ul style="list-style-type: none">▪ Frame: .050"▪ Blades: .050"
Blade design	Inverted "V"
Mounting	<ul style="list-style-type: none">▪ Counter-sunk mounting screw-holes▪ Thru bolts
Other features	Mitered corners secured with reinforcing clips
Louver free area (as % of order size)	55%
Order size	Rough opening size
Overall size	1 3/4" wider and higher than order size
Finish	Standard color, powder coated: Aluminum silver
Options	<ul style="list-style-type: none">▪ TORX Security thru bolts – specify SEC▪ Available in uneven and fractional sizes—priced to next highest whole inch increment in the price book.



How to order Advantage vision lites

Vision lites

Model	Opening size	Finish	Glass	Options
88G4	1010	GY		SEC

Model

One-side security-mount (Comes with sheet metal screws)

88G4	Door thickness 1 3/8", glass thickness 1/4", no glass
88G8	Door thickness 1 3/8", glass thickness 3/8", no glass
88G2	Door thickness 1 3/8", glass thickness 1/2", no glass
784G	Door thickness 1 3/4", glass thickness 3/16", 1/4", and 5/16", no glass
784G3	Door thickness 1 3/4", glass thickness 3/16" with Pyran F glass only*
784G5	Door thickness 1 3/4", glass thickness 5/16" with SuperLite I-W glass only*
784G-SS	Door thickness 1 3/4", glass thickness 3/16", 1/4", and 5/16", no glass
X500G	Door thickness 1 3/4", glass thickness 1/2", no glass
X625G	Door thickness 1 3/4", glass thickness 5/8", no glass
X750G	Door thickness 1 3/4", glass thickness 3/4", no glass
X875G	Door thickness 1 3/4", glass thickness 7/8", no glass
X1000G	Door thickness 1 3/4", glass thickness 1", no glass (previously X84G)

Thru-bolt mount (Comes with thru sex bolts)

XX784G	Door thickness 1 3/4", glass thickness 3/16", 1/4", 5/16", no glass
XX784G3	Door thickness 1 3/4", glass thickness 3/16" with Pyran F glass only*
XX784G5	Door thickness 1 3/4", glass thickness 5/16" with SuperLite I-W glass only*
XX500G	Door thickness 1 3/4", glass thickness 1/2", no glass
XX625G	Door thickness 1 3/4", glass thickness 5/8", no glass
XX750G	Door thickness 1 3/4", glass thickness 3/4", no glass
XX875G	Door thickness 1 3/4", glass thickness 7/8", no glass
XX1000G	Door thickness 1 3/4", glass thickness 1", no glass (previously XX84G)

Opening size (width x height)

Order by rough opening size.

Size is always 2 digits for width 2 digits for height - Example 8" x 8" would be 0808.

Finish

GY	Grey
BG	Beige
DB	Dark bronze

(Note: 784G-SS available in US32D/630 only, no code required.)

Glass

(Blank) = No glass

GL* = Comes with specified glass option included.

* Models available only with specific glass indicated: Pyran F glass 3/16" thick, or SuperLite I-W Glass 5/16" thick

(Note: Use only labeled glass in U-L listed installation. Glass not provided, except where indicated above.)

Special fasteners

(Blank) = Standard screws

SEC = Security screws or security thru bolts

(Note: 1/8" glazing tape standard unless specified.)

SLIMPORT - round lites

SP250	Round lite, 9.84" (250mm), door thickness 1 3/4", glass thickness 1/4", no glass
SP350	Round lite, 13.77" (350mm), door thickness 1 3/4", glass thickness 1/4", no glass
SP450	Round lite, 17.71" (450mm), door thickness 1 3/4", glass thickness 1/4", no glass
SP550	Round lite, 21.65" (550mm), door thickness 1 3/4", glass thickness 1/4", no glass

SLIMPORT finishes only

GV	18 gauge cold rolled steel, zinc-plated finish (for color coating)
CP	18 gauge cold rolled steel, chrome pearlite silver-plated (to match satin anodized aluminum)
SS	Grade 304 stainless steel, satin finish
PS	Grade 304 stainless steel, polished (high buff) finish

Vision lites

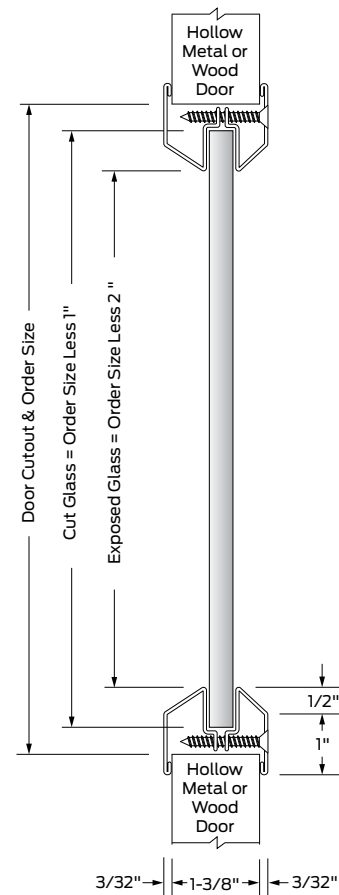
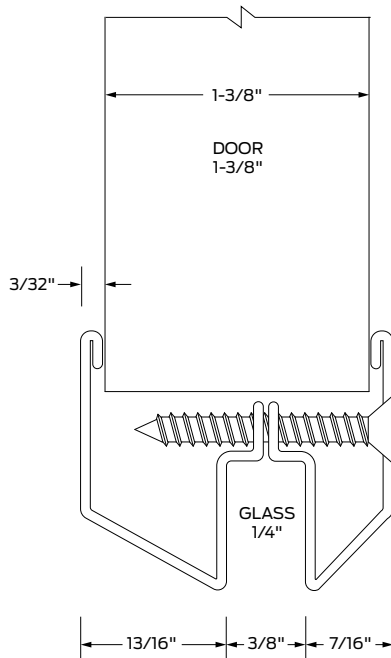
One-side security-mount

88G4



positive pressure
10C classified

For use with	1 3/8" wood and metal doors
Construction	18 gauge cold rolled galvanneal A40 steel
Uses glass thickness	<ul style="list-style-type: none"> ▪ 1/4" ▪ Glass not included. Using non-fire-rated glass may offset fire ratings.
Mounting	<ul style="list-style-type: none"> ▪ Counter-sunk mounting screw-holes ▪ #8 Phillips head SMS
Other features	<ul style="list-style-type: none"> ▪ Welded reinforcing clips at corners ▪ Mitered and welded corners
Order size	Rough opening
Actual glass size	1" less than order size
Clear vision	2" less than width and height of order size
Overall size	1" wider and higher than order size
Finish	Standard colors, powder coated: Grey, Beige, Dark bronze
Options	TORX Security screws, specify SEC
UL listed	Meets UL 10C positive-pressure requirements when used in accordance with UL specifications.

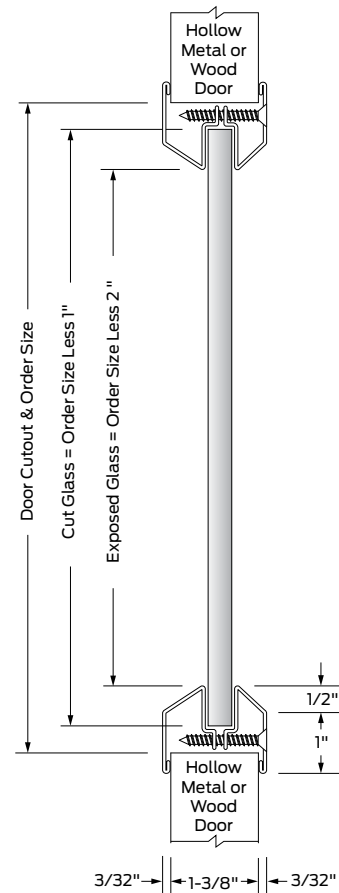
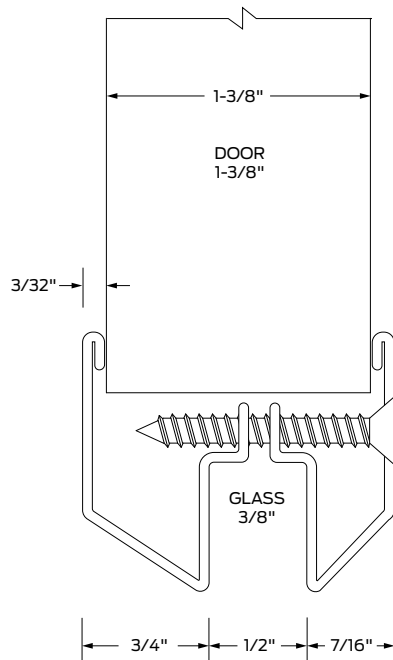


Vision lites
One-side security-mount

88G8



For use with	1 3/8" wood and metal doors
Construction	18 gauge cold rolled galvanized A40 steel
Uses glass thickness	<ul style="list-style-type: none"> 3/8" Glass not included. Using non-fire-rated glass may offset fire ratings.
Mounting	<ul style="list-style-type: none"> Counter-sunk mounting screw-holes #8 Phillips head SMS
Other features	<ul style="list-style-type: none"> Welded reinforcing clips at corners Mitered and welded corners
Order size	Rough opening
Actual glass size	1" less than order size
Clear vision	2" less than width and height of order size
Overall size	1" wider and higher than order size
Finish	Standard colors, powder coated: Grey, Beige, Dark bronze
Options	TORX Security screws, specify SEC
UL listed	Meets UL 10C positive-pressure requirements when used in accordance with UL specifications.



Vision lites

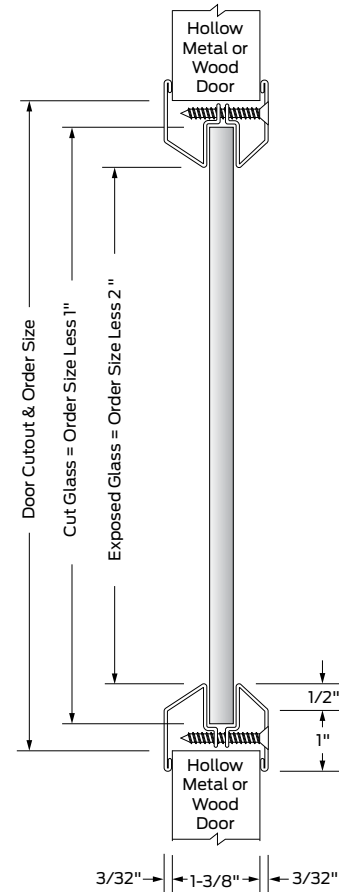
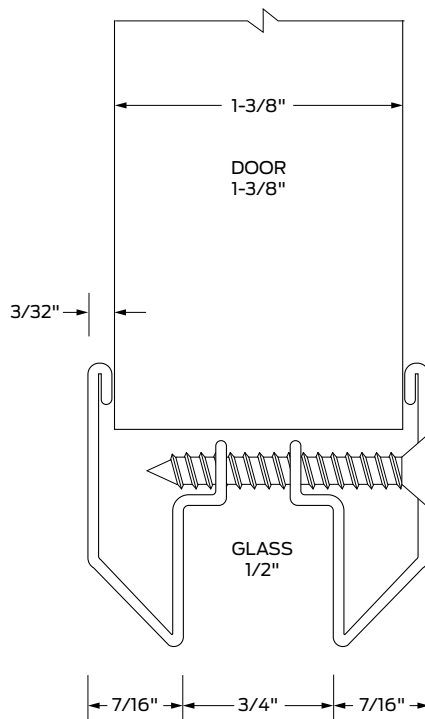
One-side security-mount

88G2



positive pressure
10C classified

For use with	1 3/8" wood and metal doors
Construction	18 gauge cold rolled galvanneal A40 steel
Uses glass thickness	<ul style="list-style-type: none"> ▪ 1/2" ▪ Glass not included. Using non-fire-rated glass may offset fire ratings.
Mounting	<ul style="list-style-type: none"> ▪ Counter-sunk mounting screw-holes ▪ #8 Phillips head SMS
Other features	<ul style="list-style-type: none"> ▪ Welded reinforcing clips at corners ▪ Mitered and welded corners
Order size	Rough opening
Actual glass size	1" less than order size
Clear vision	2" less than width and height of order size
Overall size	1" wider and higher than order size
Finish	Standard colors, powder coated: Grey, Beige, Dark bronze
Options	TORX Security screws, specify SEC
UL listed	Meets UL 10C positive-pressure requirements when used in accordance with UL specifications.

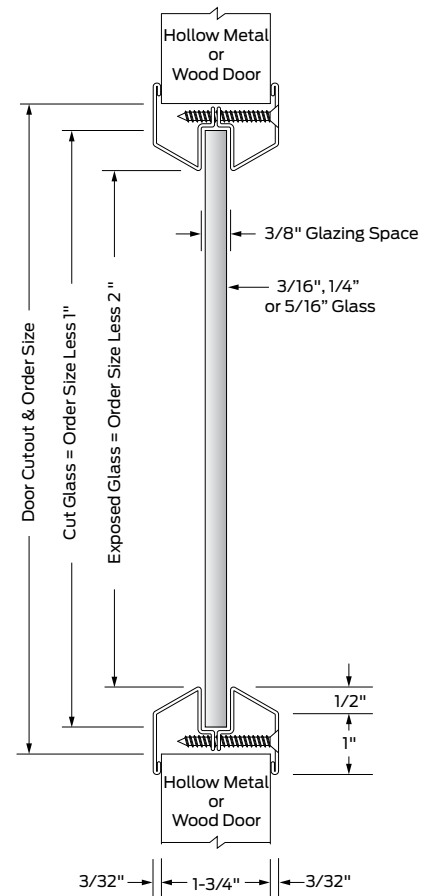


Vision lites
One-side security-mount

784G



For use with	1 3/4" wood and metal doors
Construction	18 gauge cold rolled galvaneal A40 steel
Uses glass thickness	<ul style="list-style-type: none"> ▪ 3/16", 1/4", 5/16" ▪ Glass not included. Using non-fire-rated glass may offset fire ratings.
Mounting	<ul style="list-style-type: none"> ▪ Counter-sunk mounting screw-holes ▪ #8 x 1 5/8" Phillips head SMS
Other features	<ul style="list-style-type: none"> ▪ Welded reinforcing clips at corners ▪ Mitered and welded corners
Order size	Rough opening
Actual glass size	1" less than order size
Clear vision	2" less than width and height of order size
Overall size	1" wider and higher than order size
Finish	Standard colors, powder coated: Grey, Beige, Dark bronze
Other information	TORX Security screws, specify SEC
UL listed	Meets UL 10C positive-pressure requirements when used in accordance with UL specifications.



Vision lites

One-side security-mount

Lite kit with 3/16" PYRAN® F fire-protective ceramic safety glass

784G3



positive pressure
10C classified

For use with	1 3/4" wood and metal doors
Construction	18 gauge cold rolled galvalneal A40 steel
Uses glass thickness	<ul style="list-style-type: none"> 3/16" thick, Pyran F glass only, included in lite kit – see below for glass specifications.
Mounting	<ul style="list-style-type: none"> Counter-sunk mounting screw-holes #8 x 1 5/8" Phillips head SMS
Other features	<ul style="list-style-type: none"> Welded reinforcing clips at corners Mitered and welded corners
Order size	Rough opening
Actual glass size	1" less than order size
Clear vision	2" less than width and height of order size
Overall size	1" wider and higher than order size
Finish	Standard colors, powder coated: Grey, Beige, Dark bronze
Other information	TORX Security screws, specify SEC
UL listed	Meets UL 10C positive-pressure requirements when used in accordance with UL specifications.

PYRAN® Platinum F

Fire-protective ceramic safety glass

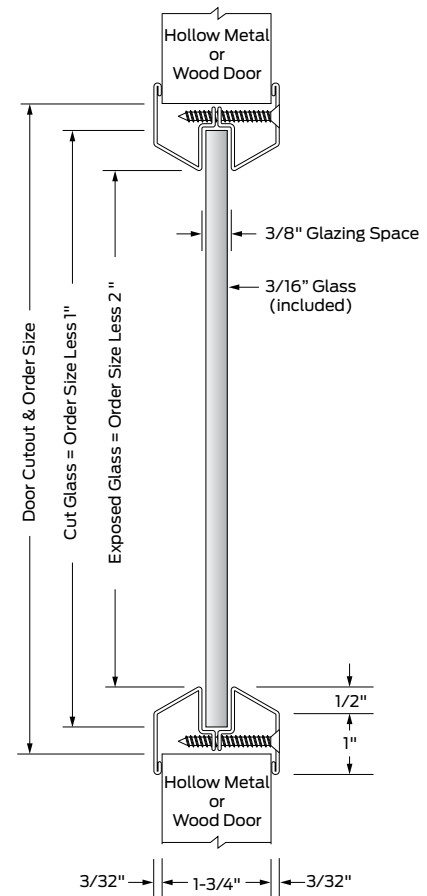
Material	<ul style="list-style-type: none"> 3/16" (5mm) thick glass ceramic Heavy duty 7 mil durable safety film Neutral coloration – clear and wireless Advanced manufacturing process eliminates the need for surface polishing. Etched with UL classification on each piece. 10 year Manufacturer Warranty Weight: 2.5 lbs./sq. ft. STC 31 rating
----------	---

Fire-rating information

Glass description	Advantage model	Thickness	Wire mesh	Door type	UL rating minutes	Max size"
Pyran, Platinum F	784G3	3/16"	No	Doors (non-temp rise)	20, 45, 60, 90	36 x 76
Pyran, Platinum F	784G3	3/16"	No	Doors (temp rise)	180	12 x 33
Pyran, Platinum F	784G3	3/16"	No	Side, borrowed, and transom	20, 45, 60, 90	76 x 76

Impact safety rating information

- Meets ANSI Z97.1, Class A
- Meets CPSC 16CFR 1201 (Category I and II)
- Complies with IBC requirements for use in doors, side-lites, transom lites and borrowed lites.



Vision lites

One-side security-mount

Lite kit with 5/16" SuperLite™ I-W fire-protective safety wired glass

784G5



For use with	1 3/4" wood and metal doors
Construction	18 gauge cold rolled galvaneal A40 steel
Uses glass thickness	<ul style="list-style-type: none"> 5/16" thick SuperLite I-W glass only (wire mesh-reinforced), included in lite kit – see below for glass specifications.
Mounting	<ul style="list-style-type: none"> Counter-sunk mounting screw-holes #8 x 1 5/8" Phillips head SMS
Other features	<ul style="list-style-type: none"> Welded reinforcing clips at corners Mitered and welded corners
Order size	Rough opening
Actual glass size	1" less than order size
Clear vision	2" less than width and height of order size
Overall size	1" wider and higher than order size
Finish	Standard colors, powder coated: Grey, Beige, Dark bronze
Other information	TORX Security screws, specify SEC
UL listed	Meets UL 10C positive-pressure requirements when used in accordance with UL specifications.



SuperLite™ I-W

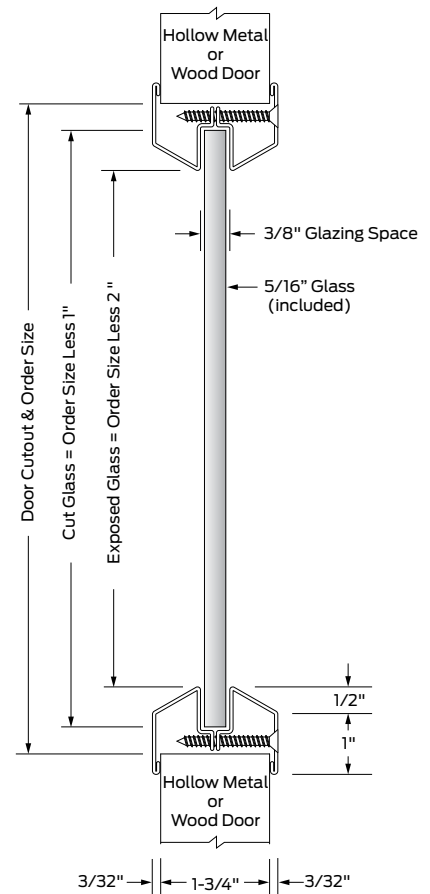
Fire-protective safety wired glass

Material	<ul style="list-style-type: none"> 5/16" (5mm) thick 3/4" x 3/4" Diamond pattern electrically welded steel wire mesh Heavy duty 7 mil durable safety film applied Maintains integrity when fractured or subjected to a hose stream. Etched with UL classification on each piece. Manufactured in USA 10 year Manufacturer Warranty Weight: 3 lbs./sq. ft. STC 28 rating U.S. Patent No. 7,090,906
----------	---

Fire-rating information

Glass description	Advantage model	Thickness	Wire mesh	Door type	UL rating minutes	Max size"
SuperLite I-W	784G5	5/16"	Yes	Wood doors	20, 45	54 x 54
SuperLite I-W	784G5	5/16"	Yes	Wood doors	60	12 x 80
SuperLite I-W	784G5	5/16"	Yes	Wood doors	90	10 x 33
SuperLite I-W	784G5	5/16"	Yes	Hollow metal doors	20	35 3/4 x 92
SuperLite I-W	784G5	5/16"	Yes	Hollow metal doors	45	34 x 84
SuperLite I-W	784G5	5/16"	Yes	Hollow metal doors	90	12 x 46
SuperLite I-W	784G5	5/16"	Yes	Side lites, borrowed lites	45	100 x 100
SuperLite I-W	784G5	5/16"	Yes	Transom lites	45	96 x 36

Impact safety rating information	<ul style="list-style-type: none"> Meets ANSI Z97.1, Class A Meets CPSC 16CFR 1201 (Category I and II) Complies with IBC requirements for use in doors, side-lites, transom lites and borrowed lites.
----------------------------------	--



Vision lites

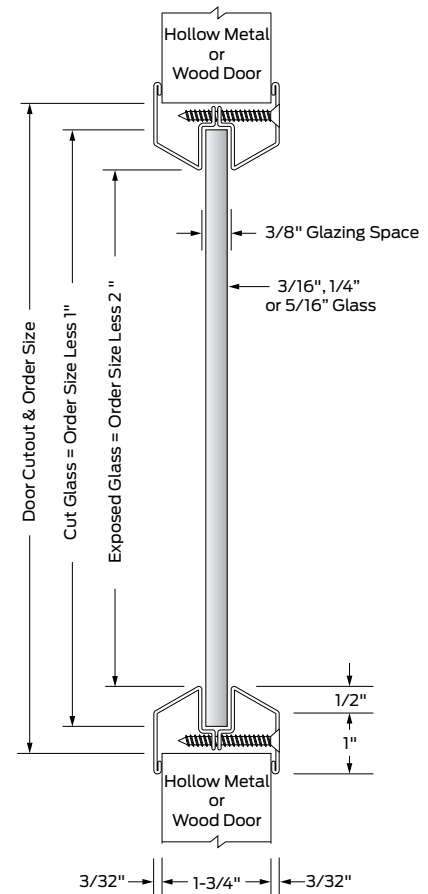
One-side security-mount

Stainless steel

784G-SS



For use with	1 3/4" wood and metal doors
Construction	18 gauge Type 304 stainless steel
Uses glass thickness	<ul style="list-style-type: none">3/16", 1/4", 5/16"Glass not included. Using non-fire-rated glass may offset fire ratings.
Mounting	<ul style="list-style-type: none">Counter-sunk mounting screw-holes8 x 1 5/8" Phillips head SMS
Other features	Mitered and welded corners
Order size	Rough opening
Actual glass size	1" less than order size
Clear vision	2" less than width and height of order size
Overall size	1" wider and higher than order size
Finish	<ul style="list-style-type: none">#4 satin finishPowder coat color options available. See Engineered Specials.
Other information	TORX Security screws, specify SEC
UL listed	Meets UL 10C positive-pressure requirements when used in accordance with UL specifications.

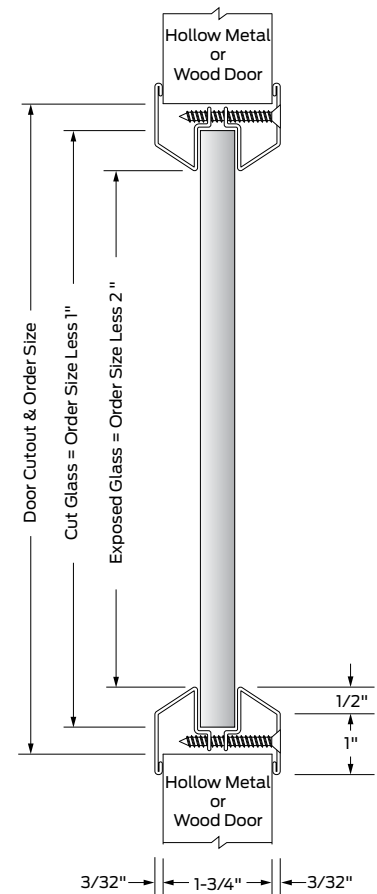
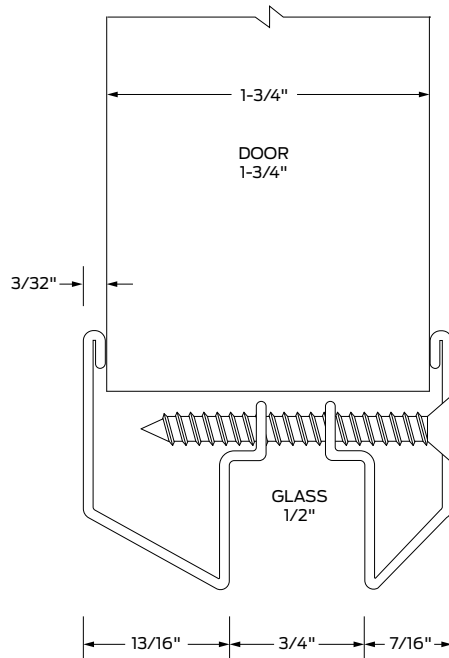


Vision lites
One-side security-mount

X500G



For use with	1 3/4" wood and metal doors
Construction	18 gauge cold rolled galvanized A40 steel
Uses glass thickness	<ul style="list-style-type: none"> 1/2" Glass not included. Using non-fire-rated glass may offset fire ratings.
Mounting	<ul style="list-style-type: none"> Counter-sunk mounting screw-holes #8 Phillips head SMS
Other features	<ul style="list-style-type: none"> Welded reinforcing clips at corners Mitered and welded corners
Order size	Rough opening size
Actual glass size	1" less than order size
Clear vision	2" less than width and height of order size
Overall size	1" wider and higher than order size
Finish	<ul style="list-style-type: none"> Standard colors, powder-coated: Grey, Beige, Dark bronze Other colors available upon request. See Engineered Specials.
Options	TORX Security screws, specify SEC
UL listed	Meets UL 10C positive-pressure requirements when used in accordance with UL specifications.



Vision lites

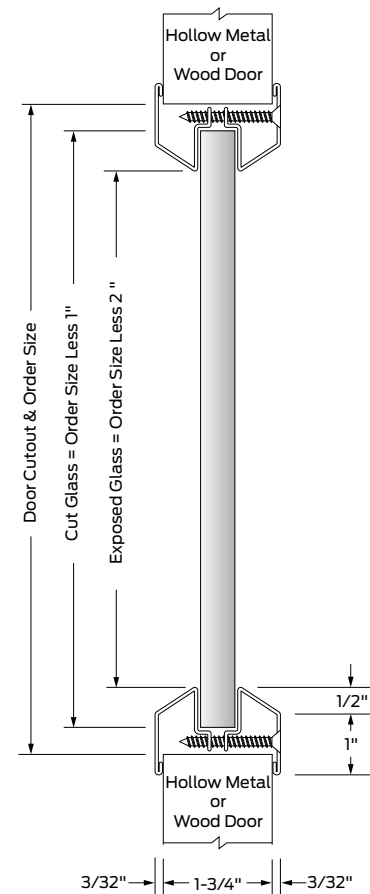
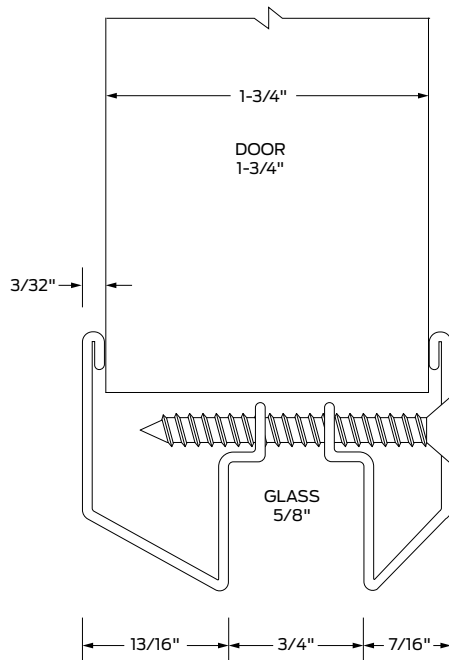
One-side security-mount

X625G



positive pressure
10C classified

For use with	1 3/4" wood and metal doors
Construction	18 gauge cold rolled galvaneal A40 steel
Uses glass thickness	<ul style="list-style-type: none"> 5/8" Glass not included. Using non-fire-rated glass may offset fire ratings.
Mounting	<ul style="list-style-type: none"> Counter-sunk mounting screw-holes #8 Phillips head SMS
Other features	<ul style="list-style-type: none"> Welded reinforcing clips at corners Mitered and welded corners
Order size	Rough opening size
Actual glass size	1" less than order size
Clear vision	2" less than width and height of order size
Overall size	1" wider and higher than order size
Finish	<ul style="list-style-type: none"> Standard colors, powder-coated: Grey, Beige, Dark bronze Other colors available upon request. See Engineered Specials.
Options	TORX Security screws, specify SEC
UL listed	Meets UL 10C positive-pressure requirements when used in accordance with UL specifications.

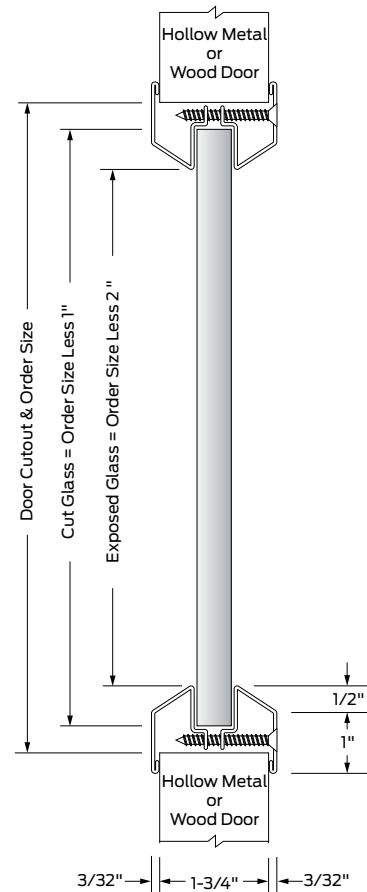
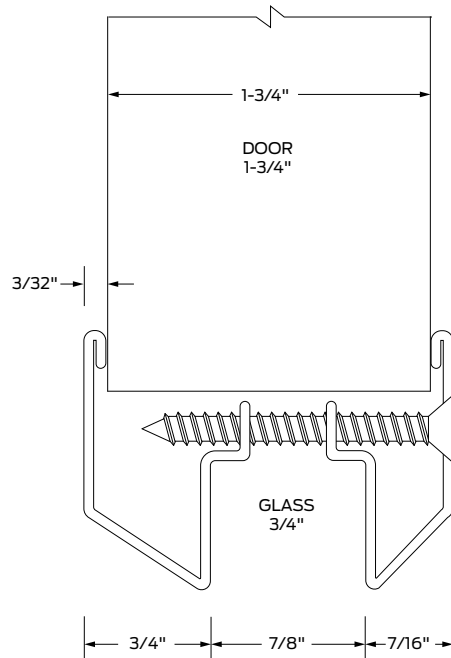


Vision lites
One-side security-mount

X750G



For use with	1 3/4" wood and metal doors
Construction	18 gauge cold rolled galvanized A40 steel
Uses glass thickness	<ul style="list-style-type: none"> 3/4" Glass not included. Using non-fire-rated glass may offset fire ratings.
Mounting	<ul style="list-style-type: none"> Counter-sunk mounting screw-holes #8 Phillips head SMS
Other features	<ul style="list-style-type: none"> Welded reinforcing clips at corners Mitered and welded corners
Order size	Rough opening size
Actual glass size	1" less than order size
Clear vision	2" less than width and height of order size
Overall size	1" wider and higher than order size
Finish	<ul style="list-style-type: none"> Standard colors, powder-coated: Grey, Beige, Dark bronze Other colors available upon request. See Engineered Specials.
Options	TORX Security screws, specify SEC
UL listed	Meets UL 10C positive-pressure requirements when used in accordance with UL specifications.



Vision lites

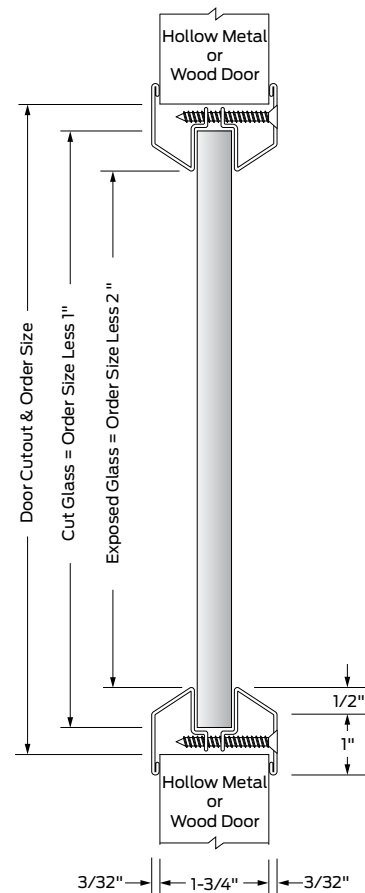
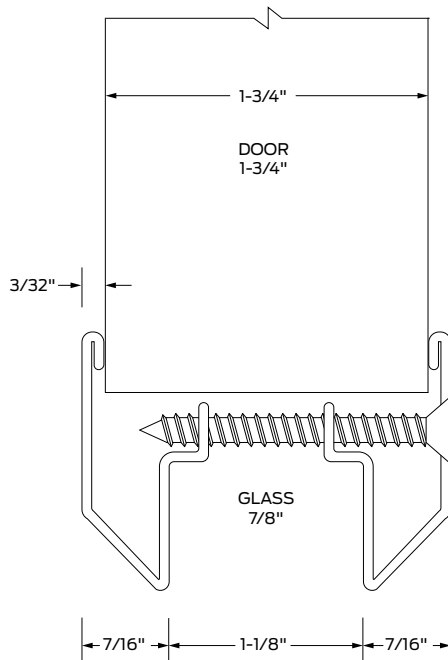
One-side security-mount

X875G



positive pressure
10C classified

For use with	1 3/4" wood and metal doors
Construction	18 gauge cold rolled galvaneal A40 steel
Uses glass thickness	<ul style="list-style-type: none"> 7/8" Glass not included. Using non-fire-rated glass may offset fire ratings.
Mounting	<ul style="list-style-type: none"> Counter-sunk mounting screw-holes #8 Phillips head SMS
Other features	<ul style="list-style-type: none"> Welded reinforcing clips at corners Mitered and welded corners
Order size	Rough opening size
Actual glass size	1" less than order size
Clear vision	2" less than width and height of order size
Overall size	1" wider and higher than order size
Finish	<ul style="list-style-type: none"> Standard colors, powder-coated: Grey, Beige, Dark bronze Other colors available upon request. See Engineered Specials.
Options	TORX Security screws, specify SEC
UL listed	Meets UL 10C positive-pressure requirements when used in accordance with UL specifications.

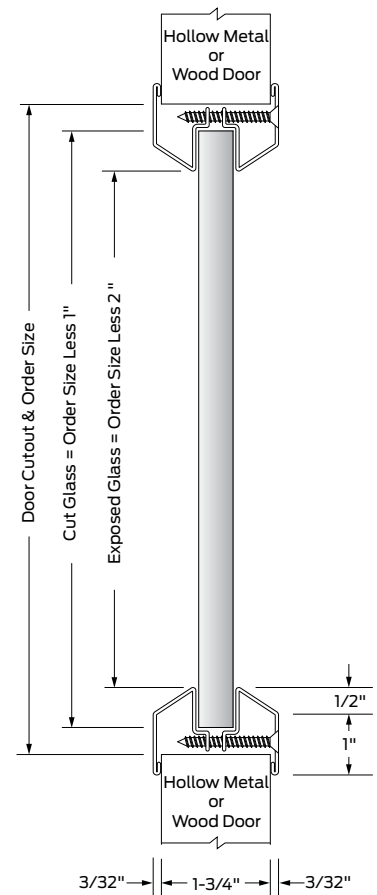
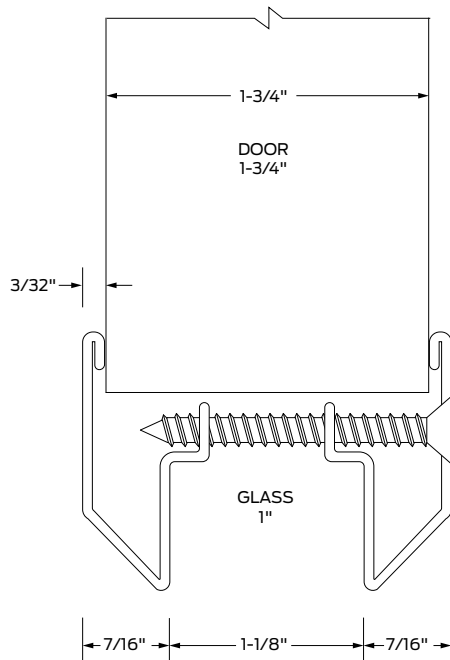


Vision lites
One-side security-mount

X1000G



For use with	1 3/4" wood and metal doors
Construction	18 gauge cold rolled galvaneal A40 steel
Uses glass thickness	<ul style="list-style-type: none"> 1" Glass not included. Using non-fire-rated glass may offset fire ratings.
Mounting	<ul style="list-style-type: none"> Counter-sunk mounting screw-holes #8 Phillips head SMS
Other features	<ul style="list-style-type: none"> Welded reinforcing clips at corners Mitered and welded corners
Order size	Rough opening size
Actual glass size	1" less than order size
Clear vision	2" less than width and height of order size
Overall size	1" wider and higher than order size
Finish	<ul style="list-style-type: none"> Standard colors, powder-coated: Grey, Beige, Dark bronze Other colors available upon request. See Engineered Specials.
Options	TORX Security screws, specify SEC
UL listed	Meets UL 10C positive-pressure requirements when used in accordance with UL specifications.



Slimport™ Vision lites

Our SLIMPOR™ circular metal vision frames are suitable for installation in doors, walls and partitions. They feature a unique, flush-fitting design with counter-sunk holes and mounting screws around the bevel on one side for a clean appearance and to prevent tampering.

- For use with 1 3/4" (44mm) doors
- 1/4" (6.4mm) glass
- Slimport™ frames are available in four finishes
- Glass supplied by others

Specifications

Product number	Order/rough cut diameter	Clear vision	Actual glass diameter	Overall frame diameter
SP250	9.84" (250mm)	7.87" (200mm)	8.78" (223mm)	11.22" (285mm)
SP350	13.77" (350mm)	11.81" (300mm)	12.72" (323mm)	15.15" (385mm)
SP450	17.71" (450mm)	15.75" (400mm)	16.65" (423mm)	19.09" (485mm)
SP550	21.65" (550mm)	19.69" (500mm)	20.59" (523mm)	23.03" (585mm)

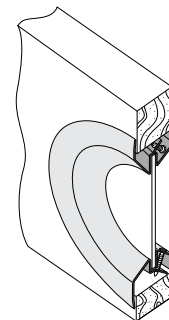
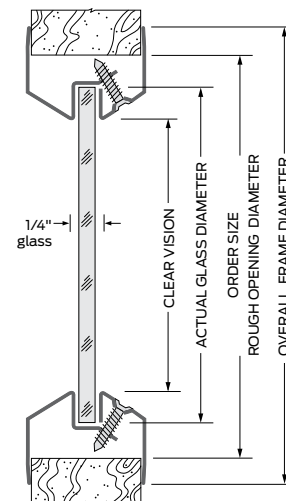
Material & finish

GV	18 gauge cold rolled steel, zinc-plated finish (for color coating)
CP	18 gauge cold rolled steel, chrome pearlite silver-plated (to match satin anodized aluminum)
SS	Grade 304 stainless steel, satin finish
PS	Grade 304 stainless steel, polished finish

Installation

The Slimport low projection porthole is available in four diameters and offers concealed mounting one side, and attached through the bevel on the other side. The mounting screws pass through the door cut-out and fasten to the opposite side of the vision frame, eliminating the need to drill the door for thru bolts. They are designed for flush fitting to both steel and wood doors.

Slimports are supplied with matching steel or stainless steel 4.2 x 25mm self-tapping screws, raised counter-sunk Phillips recessed head.



Vision lites

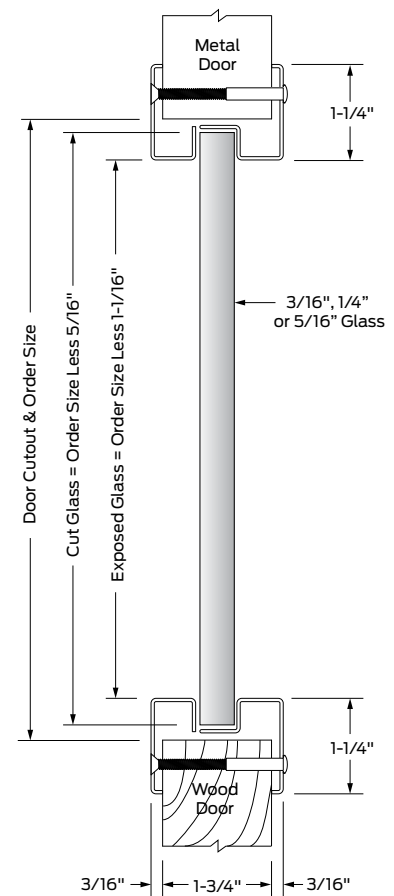
Thru-bolt

XX784G



positive pressure
10C classified

For use with	1 3/4" wood and metal doors
Construction	18 gauge cold rolled galvaneal A40 steel
Uses glass thickness	<ul style="list-style-type: none"> 3/16", 1/4", 5/16" Glass not included. Using non-fire-rated glass may offset fire ratings.
Mounting	<ul style="list-style-type: none"> Counter-sunk mounting screw-holes Thru bolts
Other features	<ul style="list-style-type: none"> Welded reinforcing clips at corners Mitered and welded corners
Order size	Rough opening
Actual glass size	5/16" less than order size
Clear vision	1 1/16" less than width and height of order size
Overall size	1 7/16" wider and higher than order size
Finish	Standard colors, powder-coated: Grey, Beige, Dark bronze
Options	<ul style="list-style-type: none"> TORX Security thru bolts, specify SEC Sheet metal screw pack (#72837) mounting option (not fire-rated). Order separately. Wood screw pack (#7228Z) mounting option (not fire-rated). Order separately.
UL Listed	Meets UL 10C positive-pressure requirements when used in accordance with UL specifications.



Vision lites

Thru-bolt

Lite kit with $\frac{3}{16}$ " PYRAN® F fire-protective ceramic safety glass

XX784G3



positive pressure
10C classified

For use with	$1\frac{3}{4}$ " wood and metal doors
Construction	18 gauge cold rolled galvalume A40 steel
Uses glass thickness	$\frac{3}{16}$ " thick Pyran F glass only, included in lite kit – see below for glass specifications.
Mounting	<ul style="list-style-type: none"> Counter-sunk mounting screw-holes Thru bolts
Other features	<ul style="list-style-type: none"> Welded reinforcing clips at corners Mitered and welded corners
Order size	Rough opening
Actual glass size	$\frac{5}{16}$ " less than order size
Clear vision	$1\frac{1}{16}$ " less than width and height of order size
Overall size	$1\frac{7}{16}$ " wider and higher than order size
Finish	Standard colors, powder-coated: Grey, Beige, Dark bronze
Options	<ul style="list-style-type: none"> TORX Security thru bolts, specify SEC Sheet metal screw pack (#72837) mounting option (not fire-rated). Order separately. Wood screw pack (#7228Z) mounting option (not fire-rated). Order separately.
UL Listed	Meets UL 10C positive-pressure requirements when used in accordance with UL specifications.



PYRAN® Platinum F

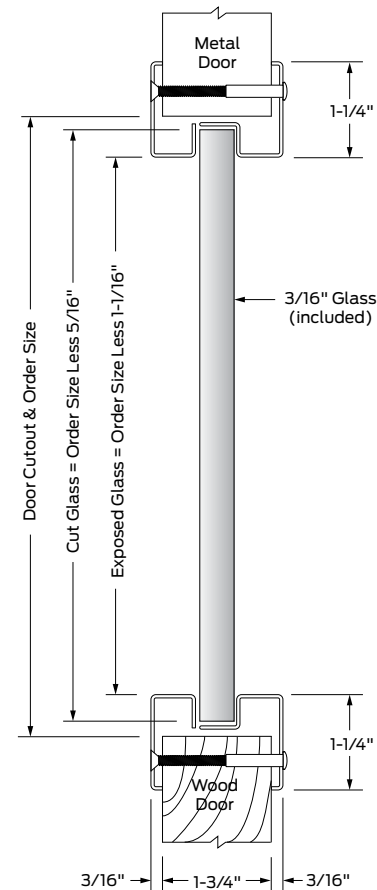
Fire-protective ceramic safety glass

Material	<ul style="list-style-type: none"> $\frac{3}{16}$" (5mm) thick glass ceramic Heavy duty 7 mil durable safety film Neutral coloration – clear and wireless Advanced manufacturing process eliminates the need for surface polishing. Etched with UL classification on each piece. 10 year Manufacturer Warranty Weight: 2.5 lbs./sq. ft. STC 31 rating
----------	--

Fire-rating information

Glass description	Advantage model	Thickness	Wire mesh	Door type	UL rating minutes	Max size"
Pyran, Platinum F	XX784G3	$\frac{3}{16}$ "	No	Doors (non-temp rise)	20, 45, 60, 90	36 x 76
Pyran, Platinum F	XX784G3	$\frac{3}{16}$ "	No	Doors (temp rise)	180	12 x 33
Pyran, Platinum F	XX784G3	$\frac{3}{16}$ "	No	Doors (temp rise)	20, 45, 60, 90	76 x 76

Impact safety rating information	<ul style="list-style-type: none"> Meets ANSI Z97.1, Class A Meets CPSC 16CFR 1201 (Category I and II) Complies with IBC requirements for use in doors, side-lites, transom lites and borrowed lites.
----------------------------------	--



Vision lites

Thru-bolt

Lite kit with 5/16" SuperLite™ I-W fire-protective safety wired glass

XX784G5



For use with	1 3/4" wood and metal doors
Construction	18 gauge cold rolled galvaneal A40 steel
Uses glass thickness	5/16" thick SuperLite I-W glass only (wire mesh-reinforced), included in lite kit – see below for glass specifications.
Mounting	<ul style="list-style-type: none"> Counter-sunk mounting screw-holes Thru bolts
Other features	<ul style="list-style-type: none"> Welded reinforcing clips at corners Mitered and welded corners
Order size	Rough opening
Actual glass size	5/16" less than order size
Clear vision	1 1/16" less than width and height of order size
Overall size	1 7/16" wider and higher than order size
Finish	Standard colors, powder-coated: Grey, Beige, Dark bronze
Options	<ul style="list-style-type: none"> TORX Security thru bolts, specify SEC Sheet metal screw pack (#72837) mounting option (not fire-rated). Order separately. Wood screw pack (#7228Z) mounting option (not fire-rated). Order separately.
UL Listed	Meets UL 10C positive-pressure requirements when used in accordance with UL specifications.

SuperLite™ I-W

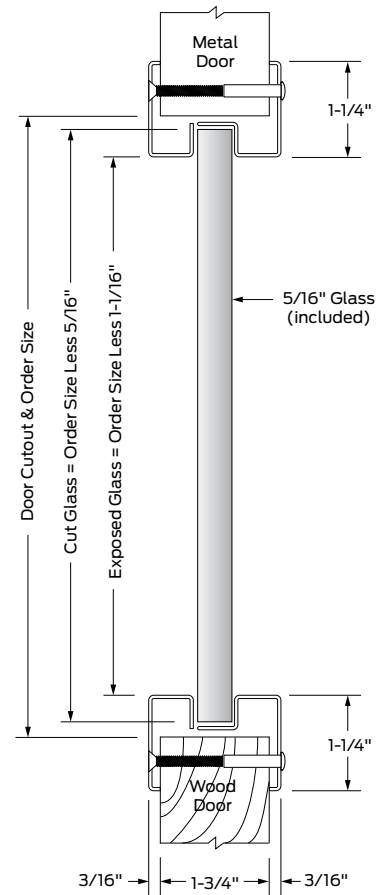
Fire-protective safety wired glass

Material	<ul style="list-style-type: none"> 5/16" (5mm) thick 3/4" x 3/4" Diamond pattern electrically welded steel wire mesh Heavy duty 7 mil durable safety film applied Maintains integrity when fractured or subjected to a hose stream. Etched with UL classification on each piece. Manufactured in USA 10 year Manufacturer Warranty Weight: 3 lbs./sq. ft. STC 28 rating U.S. Patent No. 7,090,906
----------	---

Fire-rating information

Glass description	Advantage model	Thickness	Wire mesh	Door type	UL rating minutes	Max size"
SuperLite I-W	XX784G5	5/16"	Yes	Wood doors	20, 45	54 x 54
SuperLite I-W	XX784G5	5/16"	Yes	Wood doors	60	12 x 80
SuperLite I-W	XX784G5	5/16"	Yes	Wood doors	90	10 x 33
SuperLite I-W	XX784G5	5/16"	Yes	Hollow metal doors	20	35 3/4 x 92
SuperLite I-W	XX784G5	5/16"	Yes	Hollow metal doors	45	34 x 84
SuperLite I-W	XX784G5	5/16"	Yes	Hollow metal doors	90	12 x 46
SuperLite I-W	XX784G5	5/16"	Yes	Side lights, borrowed lites	45	100 x 100
SuperLite I-W	XX784G5	5/16"	Yes	Transom lites	45	96 x 36

Impact safety rating information	<ul style="list-style-type: none"> Meets ANSI Z97.1, Class A Meets CPSC 16CFR 1201 (Category I and II) Complies with IBC requirements for use in doors, side-lites, transom lites and borrowed lites.
----------------------------------	--



Vision lites

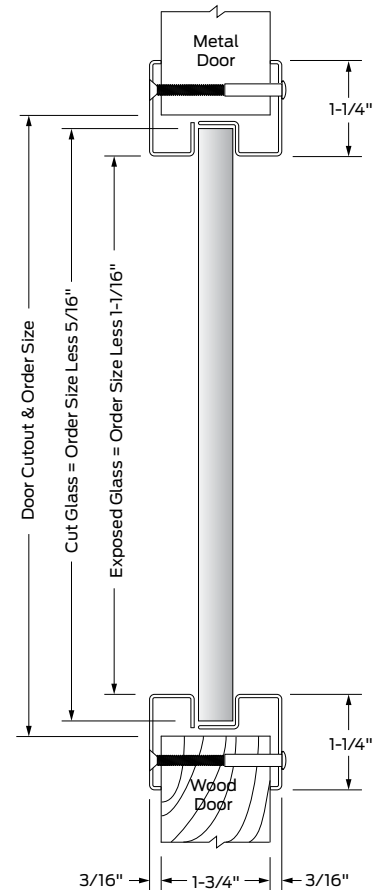
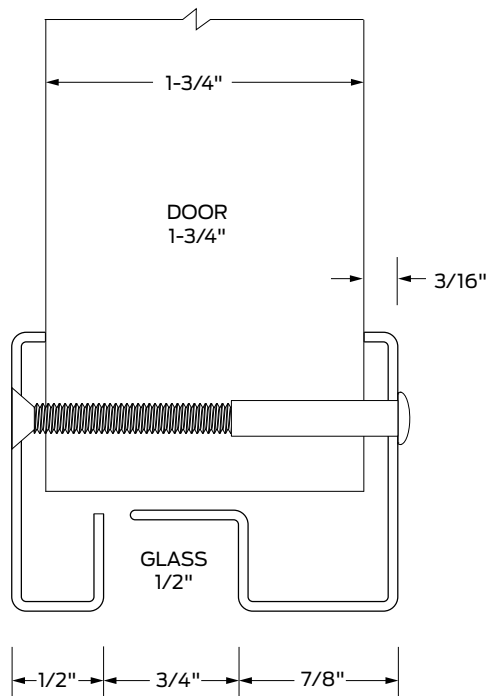
Thru-bolt

XX500G



positive pressure
10C classified

For use with	1 3/4" wood and metal doors
Construction	18 gauge cold rolled galvaneal A40 steel
Uses glass thickness	<ul style="list-style-type: none"> 1/2" Glass not included. Using non-fire-rated glass may offset fire ratings.
Mounting	<ul style="list-style-type: none"> Counter-sunk mounting screw-holes Thru bolts
Other features	<ul style="list-style-type: none"> Welded reinforcing clips at corners Mitered and welded corners
Order size	Rough opening size
Actual glass size	5/16" less than order size
Clear vision	1 1/16" less than width and height of order size
Overall size	1 7/16" wider and higher than order size
Finish	<ul style="list-style-type: none"> Standard colors, powder-coated: Grey, Beige, Dark bronze Other colors available upon request. See Engineered Specials
Options	TORX Security thru bolts, specify SEC
UL listed	Meets UL 10C positive-pressure requirements when used in accordance with UL specifications.



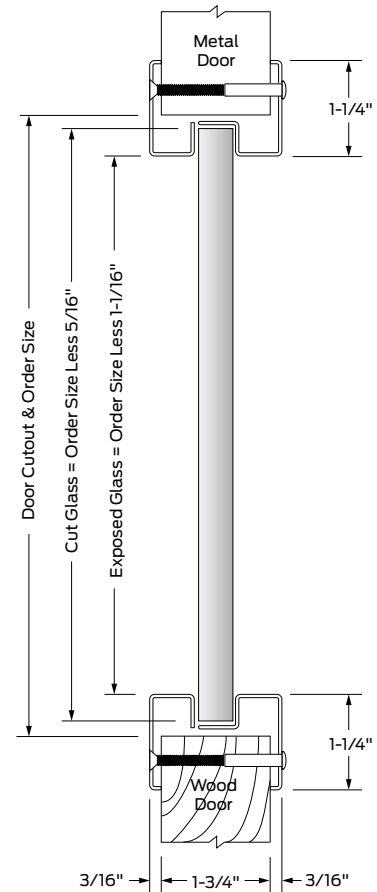
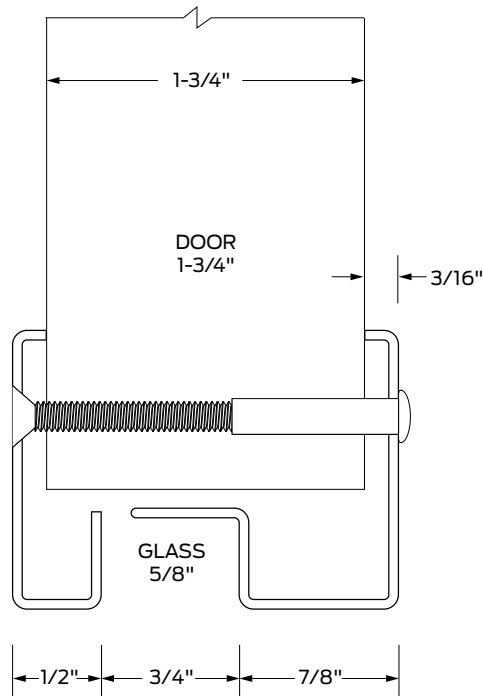
Vision lites

Thru-bolt

XX625G



For use with	1 3/4" wood and metal doors
Construction	18 gauge cold rolled galvaneal A40 steel
Uses glass thickness	<ul style="list-style-type: none"> 5/8" Glass not included. Using non-fire-rated glass may offset fire ratings.
Mounting	<ul style="list-style-type: none"> Counter-sunk mounting screw-holes Thru bolts
Other features	<ul style="list-style-type: none"> Welded reinforcing clips at corners Mitered and welded corners
Order size	Rough opening size
Actual glass size	5/16" less than order size
Clear vision	1 1/16" less than width and height of order size
Overall size	1 7/16" wider and higher than order size
Finish	<ul style="list-style-type: none"> Standard colors, powder-coated: Grey, Beige, Dark bronze Other colors available upon request. See Engineered Specials.
Options	TORX Security thru bolts, specify SEC
UL listed	Meets UL 10C positive-pressure requirements when used in accordance with UL specifications.



Vision lites

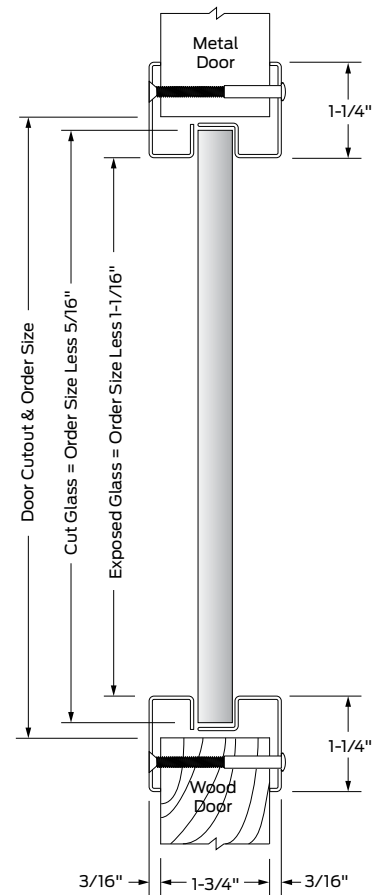
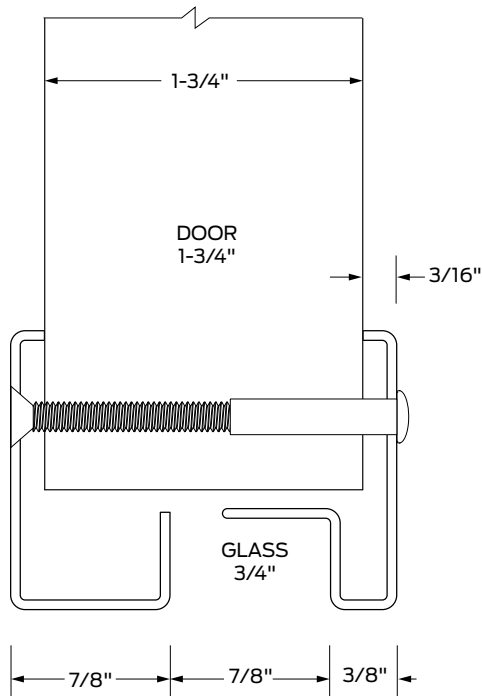
Thru-bolt

XX750G



positive pressure
10C classified

For use with	1 3/4" wood and metal doors
Construction	18 gauge cold rolled galvanized A40 steel
Uses glass thickness	<ul style="list-style-type: none"> 3/4" Glass not included. Using non-fire-rated glass may offset fire ratings.
Mounting	<ul style="list-style-type: none"> Counter-sunk mounting screw-holes Thru bolts
Other features	<ul style="list-style-type: none"> Welded reinforcing clips at corners Mitered and welded corners
Order size	Rough opening size
Actual glass size	5/16" less than order size
Clear vision	1 1/16" less than width and height of order size
Overall size	1 7/16" wider and higher than order size
Finish	<ul style="list-style-type: none"> Standard colors, powder-coated: Grey, Beige, Dark bronze Other colors available upon request. See Engineered Specials.
Options	TORX Security thru bolts, specify SEC
UL listed	Meets UL 10C positive-pressure requirements when used in accordance with UL specifications.



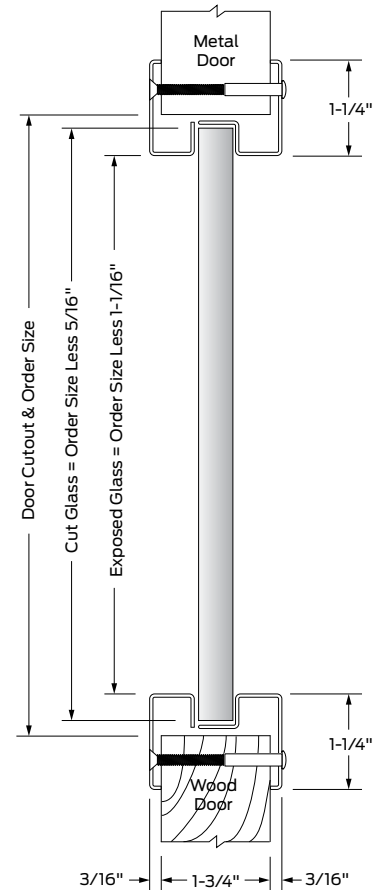
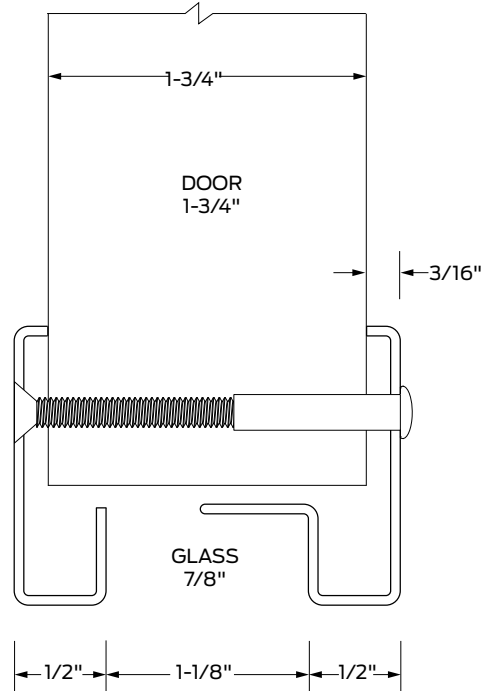
Vision lites

Thru-bolt

XX875G



For use with	1 3/4" wood and metal doors
Construction	18 gauge cold rolled galvanized A40 steel
Uses glass thickness	<ul style="list-style-type: none"> 7/8" Glass not included. Using non-fire-rated glass may offset fire ratings.
Mounting	<ul style="list-style-type: none"> Counter-sunk mounting screw-holes Thru bolts
Other features	<ul style="list-style-type: none"> Welded reinforcing clips at corners Mitered and welded corners
Order size	Rough opening size
Actual glass size	5/16" less than order size
Clear vision	1 1/16" less than width and height of order size
Overall size	1 7/16" wider and higher than order size
Finish	<ul style="list-style-type: none"> Standard colors, powder-coated: Grey, Beige, Dark bronze Other colors available upon request. See Engineered Specials.
Options	TORX Security thru bolts, specify SEC
UL listed	Meets UL 10C positive-pressure requirements when used in accordance with UL specifications.



Vision lites

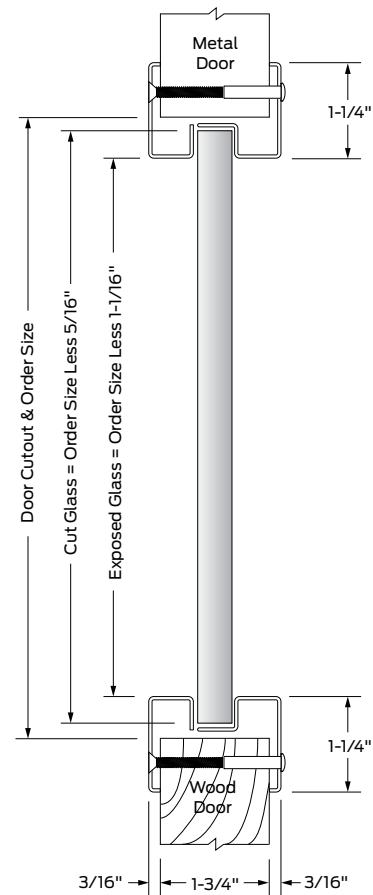
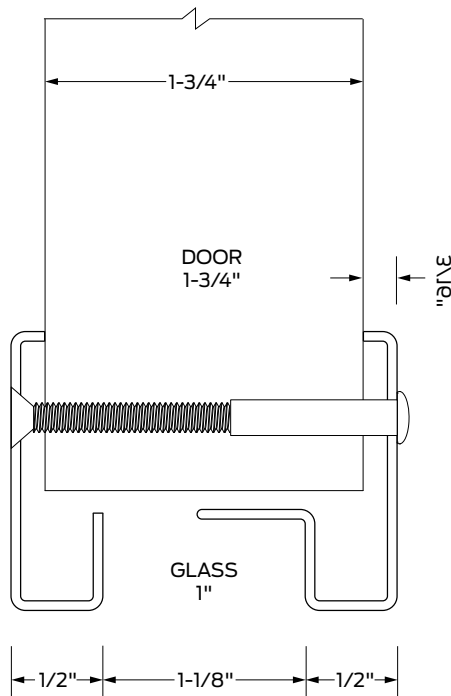
Thru-bolt

XX1000G



positive pressure
10C classified

For use with	1 3/4" wood and metal doors
Construction	18 gauge cold rolled galvanized A40 steel
Uses glass thickness	<ul style="list-style-type: none"> 1" Glass not included. Using non-fire-rated glass may offset fire ratings.
Mounting	<ul style="list-style-type: none"> Counter-sunk mounting screw-holes Thru bolts
Other features	<ul style="list-style-type: none"> Welded reinforcing clips at corners Mitered and welded corners
Order size	Rough opening size
Actual glass size	5/16" less than order size
Clear vision	1 1/16" less than width and height of order size
Overall size	1 7/16" wider and higher than order size
Finish	<ul style="list-style-type: none"> Standard colors, powder-coated: Grey, Beige, Dark bronze Other colors available upon request. See Engineered Specials.
Options	TORX Security thru bolts, specify SEC
UL listed	Meets UL 10C positive-pressure requirements when used in accordance with UL specifications.



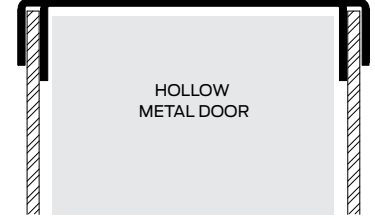
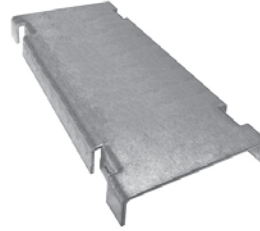
Accessories

Door support clips (Optional)



134C Used for optional reinforcement of 1³/₄" hollow metal doors

- 20 gauge steel
- 4" length clip
- For spot reinforcement of cut-outs in hollow metal doors
- Advantage lite kits on fire-rated hollow metal doors do not require door support clips or channels welded in the doors.



Glazing tape

Used with fire-rated vision lites

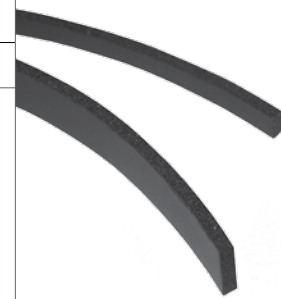


Closed cell PVC Foam

8716V PVC Foam glazing tape 1/16" thick x 3/8" wide – 200' roll

8718V PVC Foam glazing tape 1/8" thick x 3/8" wide – 100' roll

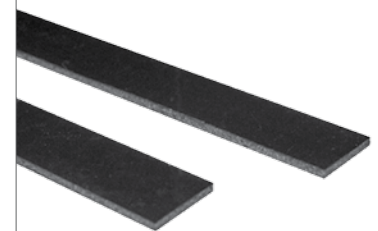
- Closed cell PVC foam glazing tape with adhesive both sides
- Color is black
- For use in lite kits on UL10C positive pressure fire-rated wood or steel doors rated up to:
 - 90 minutes with SuperLite™ I-W Fire-Protective Wired Glass
 - 180 minutes with Pyran® Platinum F Fire-Protective Ceramic Safety Glass



FS2002-062-.500X1800-PSA

Intumescent glazing tape 1/16" thick x 1/2" wide – 21' roll

- Intumescent glazing tape with adhesive one side
- Color is black
- For use in lite kits on UL10C positive pressure fire-rated wood or steel doors using 1/4" fire-protective wired glass, up to 90 minutes



Attachment screws

7823Z Optional sheet metal screw pack (order separately from kit) for thru-bolt XX models. 12 screws per pack.



7824 Optional wood screw pack (order separately from kit) for thru-bolt XX models. 12 screws per pack.



(Note: Thru-bolt applications require double the number of SMS screws.)

(Note: Use of accessory mounting screws voids UL and fire ratings on all XX model lites and louvers.)

About Allegion

Allegion (NYSE: ALLE) is a global pioneer in safety and security, with leading brands like CISA®, Interflex®, LCN®, Schlage®, SimonsVoss® and Von Duprin®. Focusing on security around the door and adjacent areas, Allegion produces a range of solutions for homes, businesses, schools and other institutions. Allegion is a \$2 billion company, with products sold in almost 130 countries.

For more, visit www.allegion.com

aptiQ ■ LCN ■ **SCHLAGE** ■ STEELCRAFT ■ VON DUPRIN