



AD Series Door Template Index



Cylindrical Lock

[\(Wood Door\) AD-CY Cylindrical AD200/250/300/400 Template - AD101](#)

[\(Metal Door\) AD-CY Cylindrical AD200/250/300/400 Template - AD102](#)

Mortise Lock

[\(Wood Door\) AD-MS Mortise AD200/250/300/400 Template - AD103](#)

[\(Metal Door\) AD-MS Mortise AD200/250/300/400 Template - AD104](#)

Mortise Deadbolt Lock

[\(Wood Door\) AD-MD Mortise Deadbolt AD200/250/300/400 Template - AD105](#)

[\(Metal Door\) AD-MD Mortise Deadbolt AD200/250/300/400 Template - AD106](#)

993R/S Rim & Surface Vertical Exit Device Trim

[\(Wood Door\) AD-993R/S Exit Device AD200/250/300/400 Template - AD107](#)

[\(Metal Door\) AD-993R/S Exit Device AD200/250/300/400 Template - AD108](#)

993M Mortise Exit Device Trim

[\(Wood Door\) AD-993M Exit Device AD200/250/300/400 Template - AD109](#)

[\(Metal Door\) AD-993M Exit Device AD200/250/300/400 Template - AD110](#)

993R Concealed Vertical Exit Device Trim

[\(Metal Door\) AD-993R Exit Device AD200/250/300/400 Template - AD112](#)



[Return to Index](#)

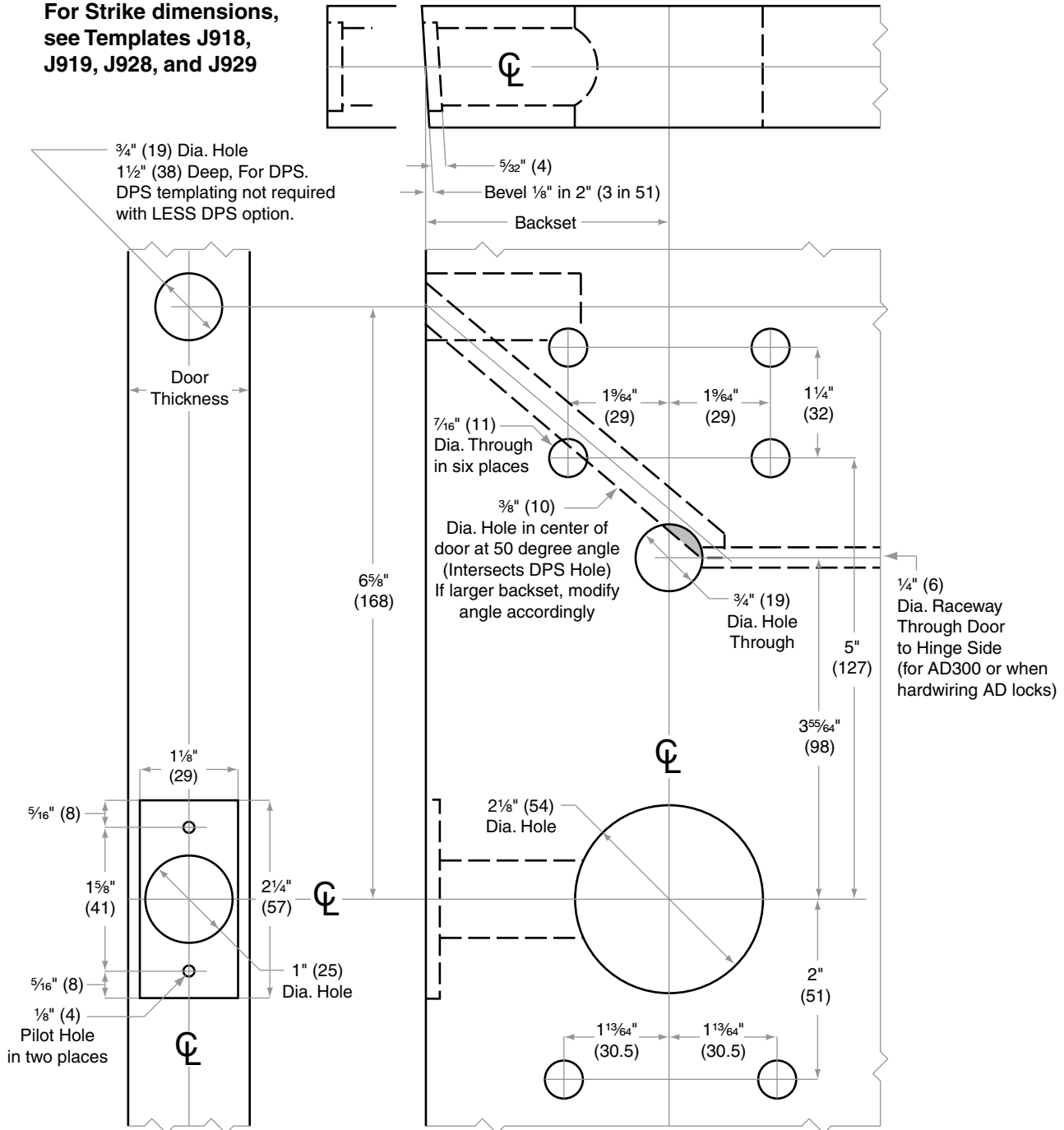


AD-Series

Models AD-200/250/300/400-CY

- Door Type: Wood or Composite, Flat or Beveled Conforms to ANSI BHMA A156.115-W
- Door Thickness: 1 3/8" (35 mm) – 2 3/4" (70 mm)
- Faceplate: Square Corner, 1 1/8" (29 mm) wide
- Backsets: 2 3/4" (70 mm), 2 3/8" (60 mm), 3 3/4" (95 mm), 5 3/4" (146 mm)

For Strike dimensions, see Templates J918, J919, J928, and J929



Dimensions shown in parentheses () are in millimeters.

Door preparation template



[Return to Index](#)

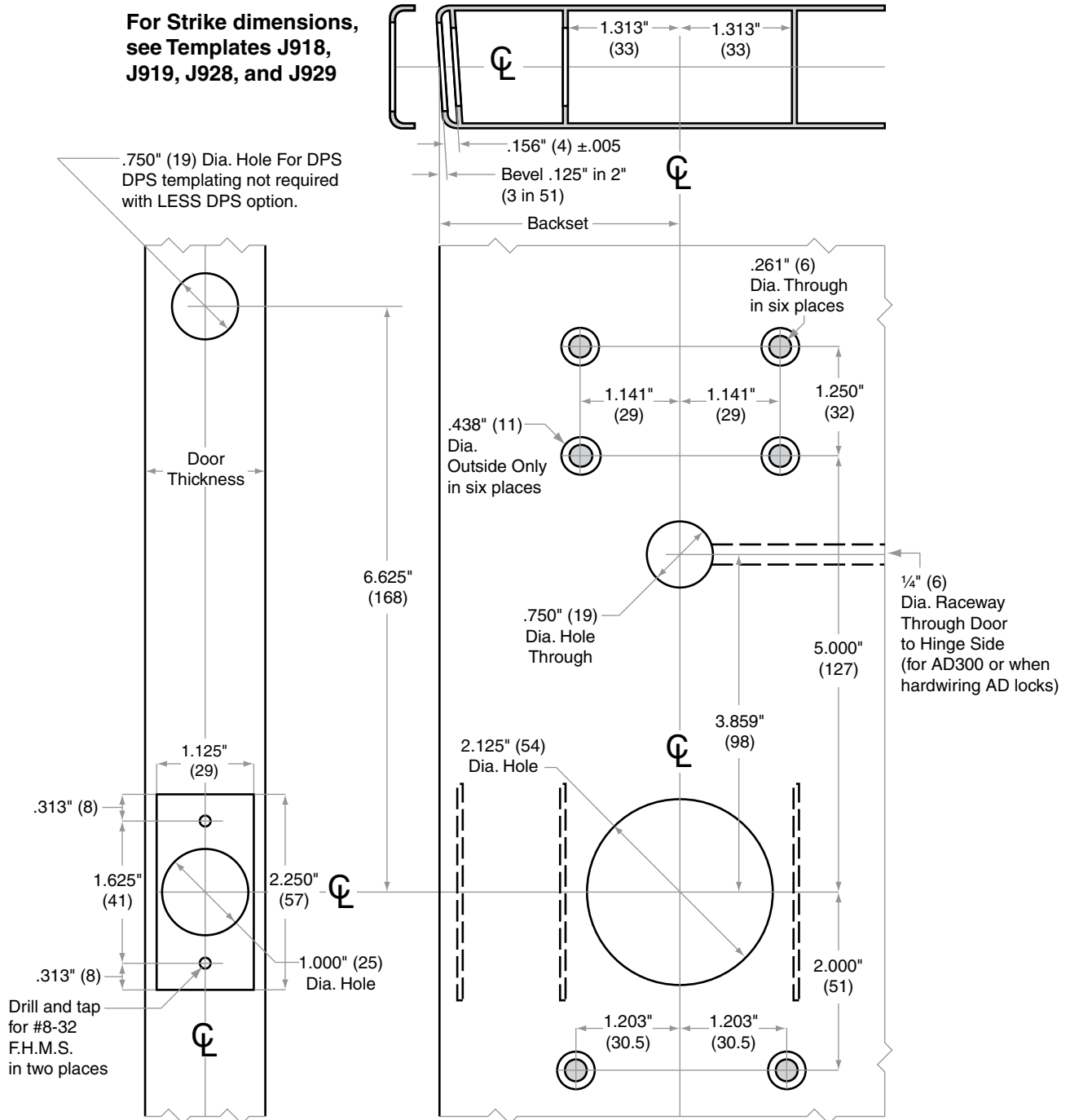


AD-Series

Models AD-200/250/300/400-CY

- Door Type: Metal, Flat or Beveled Conforms to ANSI/BHMA A156.115
- Door Thickness: 1 $\frac{1}{8}$ " (35 mm) – 2 $\frac{3}{4}$ " (70 mm)
- Faceplate: Square Corner, 1 $\frac{1}{8}$ " (29 mm) wide
- Backsets: 2 $\frac{3}{4}$ " (70 mm), 2 $\frac{3}{8}$ " (60 mm), 3 $\frac{3}{4}$ " (95 mm), 5 $\frac{3}{4}$ " (146 mm)

For Strike dimensions, see Templates J918, J919, J928, and J929



Dimensions shown in parentheses () are in millimeters.

Door preparation template

AD102

AD-Series

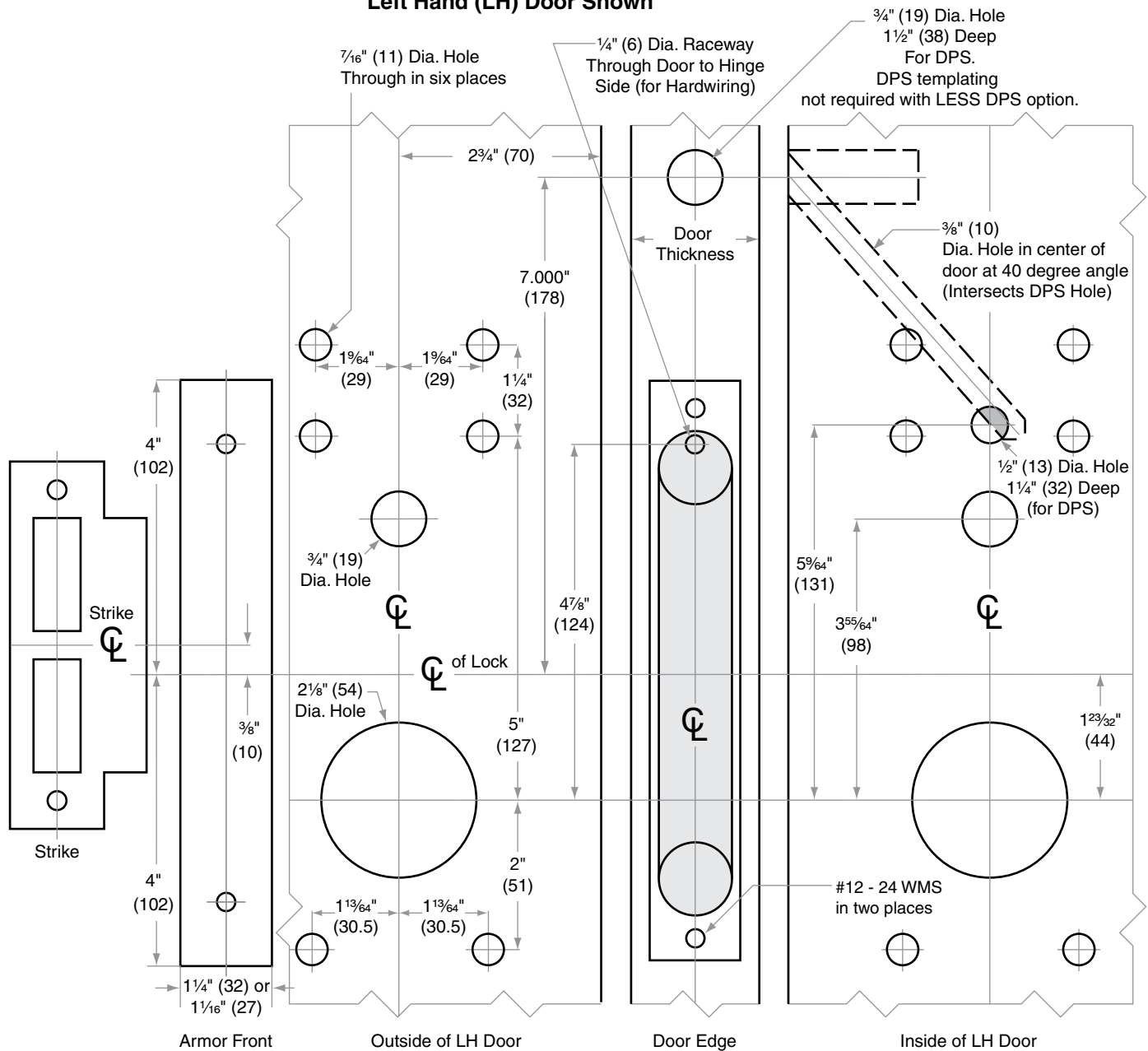
Models AD-200/250/300/400-MS

- Door Type: Wood or Composite, Flat or Beveled Conforms to ANSI BHMA A156.115-W
- Door Thickness: 1³/₈" (35 mm) – 2³/₄" (70 mm)
- Faceplate: Square Corner, 1¹/₁₆" (27 mm) or 1¹/₄" (32 mm) wide
- Backsets: 2³/₄" (70 mm)

For Mortise Case Dimensions, see Template L1

For Mortise Strike Dimensions, see Templates J918, J919, and J557

Left Hand (LH) Door Shown



Dimensions shown in parentheses () are in millimeters.

Door preparation template

AD103

AD-Series

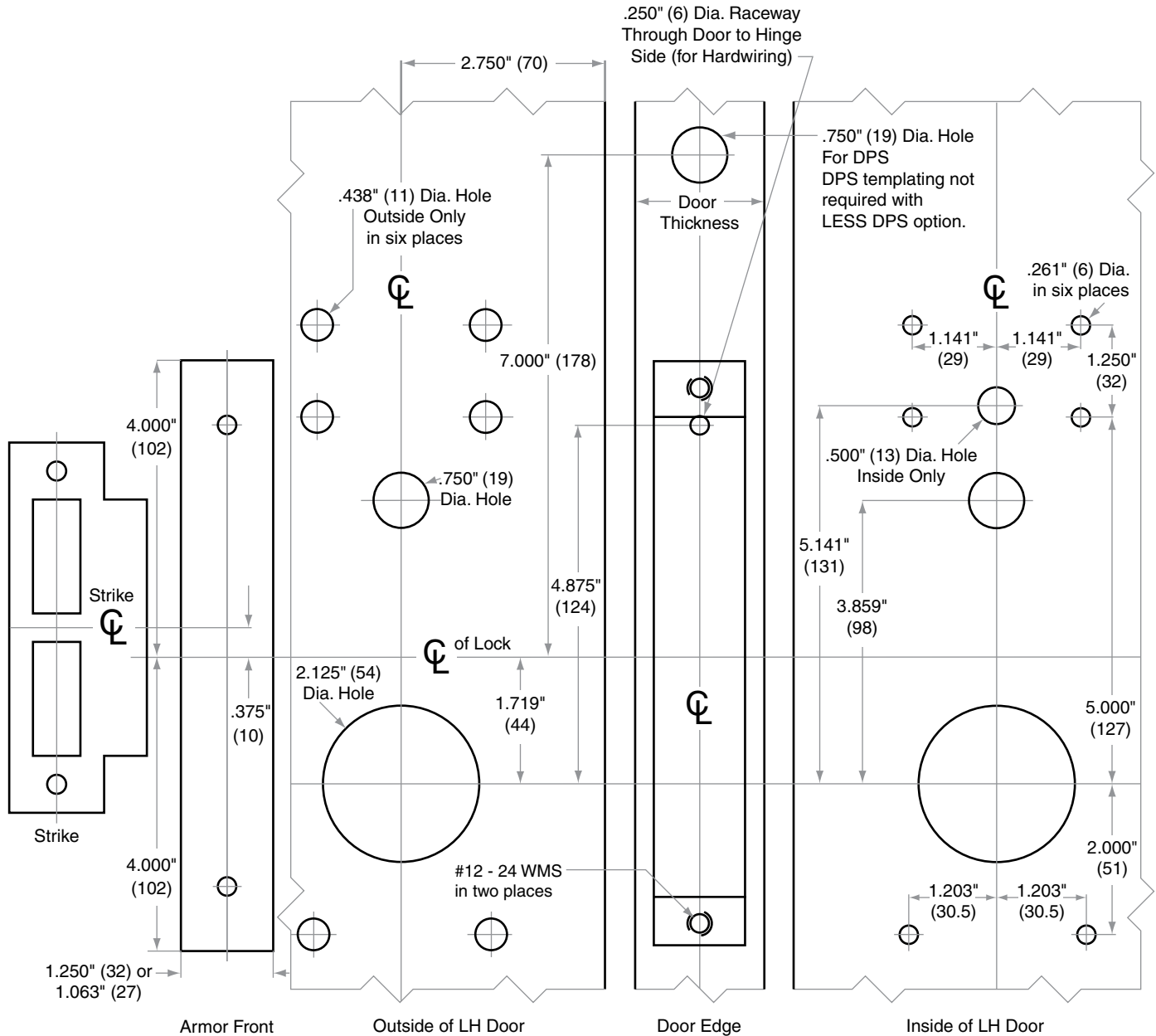
Models AD-200/250/300/400-MS

- Door Type: Metal, Flat or Beveled Conforms to ANSI/BHMA A156.115
- Door Thickness: 1 $\frac{3}{8}$ " (35 mm) – 2 $\frac{3}{4}$ " (70 mm)
- Faceplate: Square Corner, 1 $\frac{1}{16}$ " (27 mm) or 1 $\frac{1}{4}$ " (32 mm) wide
- Backsets: 2 $\frac{3}{4}$ " (70 mm)

For Mortise Case Dimensions, see Template L1

For Mortise Strike Dimensions, see Templates J918, J919, and J557

Left Hand (LH) Door Shown



Dimensions shown in parentheses () are in millimeters.

Door preparation template

AD104

AD-Series

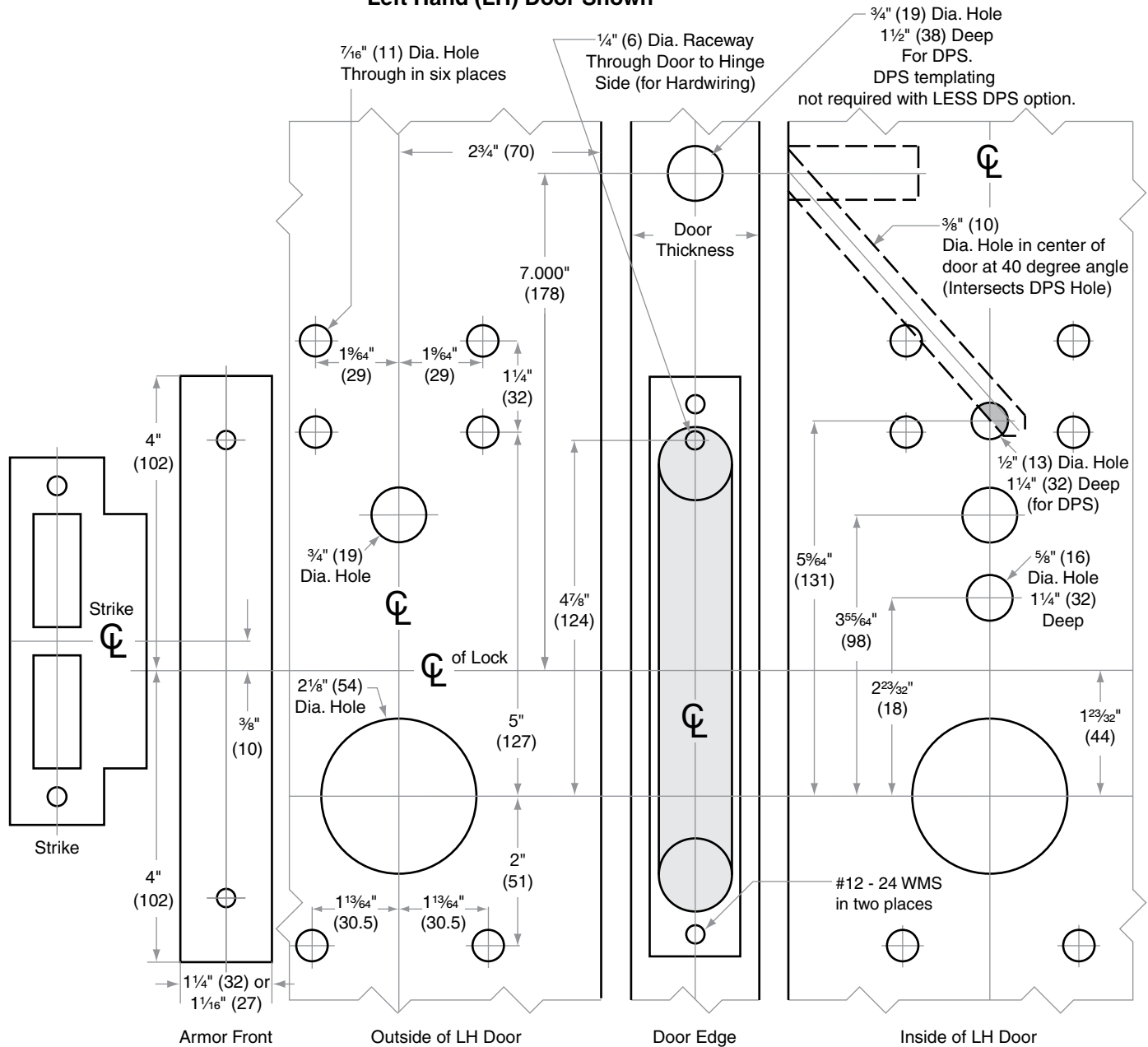
Models AD-200/250/300/400-MD

- Door Type: Wood or Composite, Flat or Beveled Conforms to ANSI BHMA A156.115-W
- Door Thickness: 1³/₈" (35 mm) – 2³/₄" (70 mm)
- Faceplate: Square Corner, 1¹/₁₆" (27 mm) or 1¹/₄" (32 mm) wide
- Backsets: 2³/₄" (70 mm)

For Mortise Case Dimensions, see Template L1

For Mortise Strike Dimensions, see Templates J918, J919, and J557

Left Hand (LH) Door Shown



Dimensions shown in parentheses () are in millimeters.

Door preparation template

AD105

AD-Series

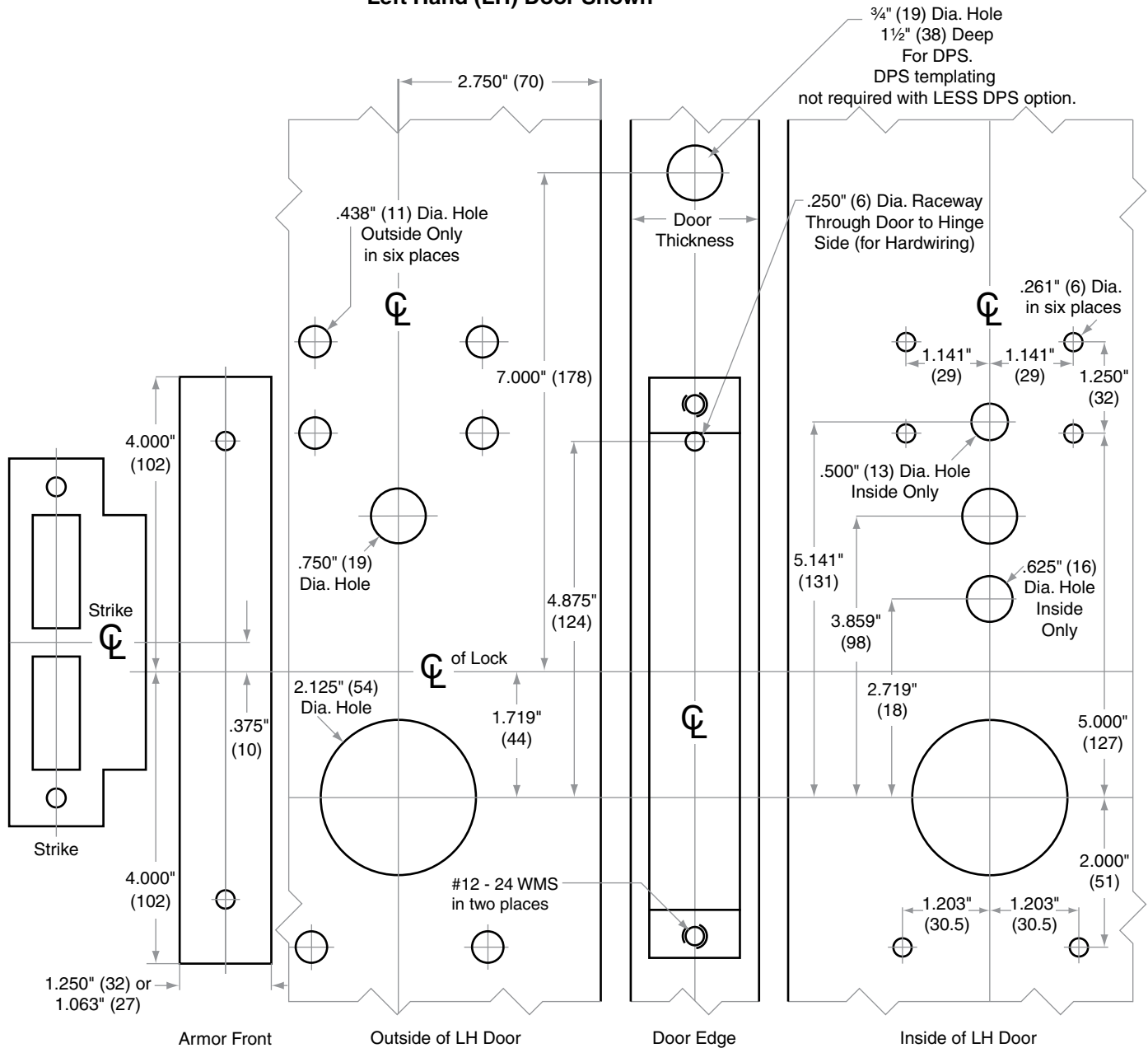
Models AD-200/250/300/400-MD

- Door Type: Metal, Flat or Beveled Conforms to ANSI/BHMA A156.115
- Door Thickness: 1 $\frac{3}{8}$ " (35 mm) – 2 $\frac{3}{4}$ " (70 mm)
- Faceplate: Square Corner, 1 $\frac{1}{16}$ " (27 mm) or 1 $\frac{1}{4}$ " (32 mm) wide
- Backsets: 2 $\frac{3}{4}$ " (70 mm)

For Mortise Case Dimensions, see Template L1

For Mortise Strike Dimensions, see Templates J918, J919, and J557

Left Hand (LH) Door Shown



Dimensions shown in parentheses () are in millimeters.

Door preparation template

AD106



[Return to Index](#)

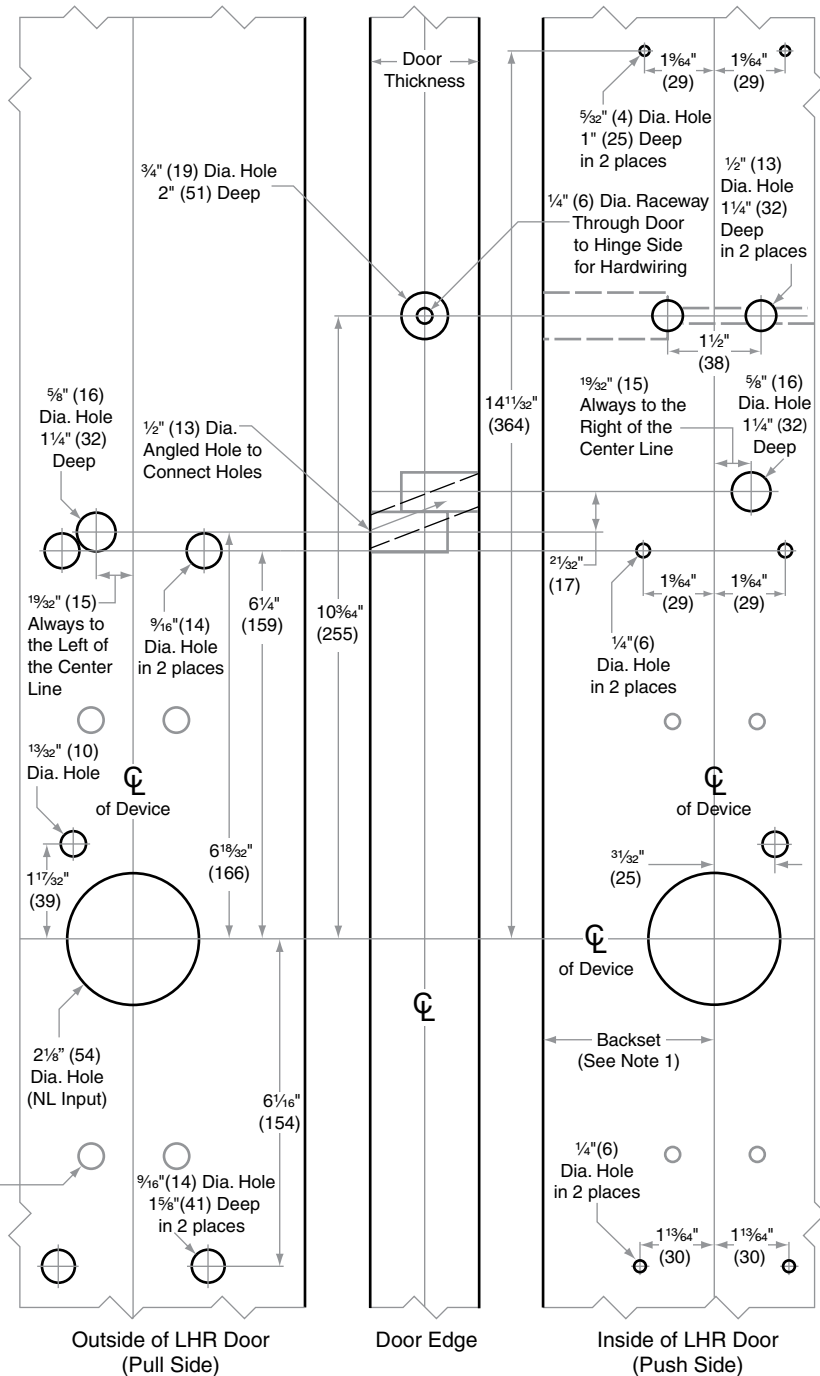


ALLEGION™

AD-Series

Models AD-200/250/300/400-993R/S

Door Type: Wood Exit Devices: Rim, Surface Vertical
 Door Thickness: 1¾" (44 mm) – 2¾" (70 mm)
 Faceplate: None
 Backsets: Various



**Left Hand Reverse (LHR)
Door Shown**

**Note 1:
For Backset, See Applicable
Von Duprin 98-R/99-R,
9827/9927, 22-R, or 2227
Series Exit Device Template.**

98/99 Exit Device
Holes in 4 places
for Reference Only

Dimensions shown in parentheses () are in millimeters.

Door preparation template



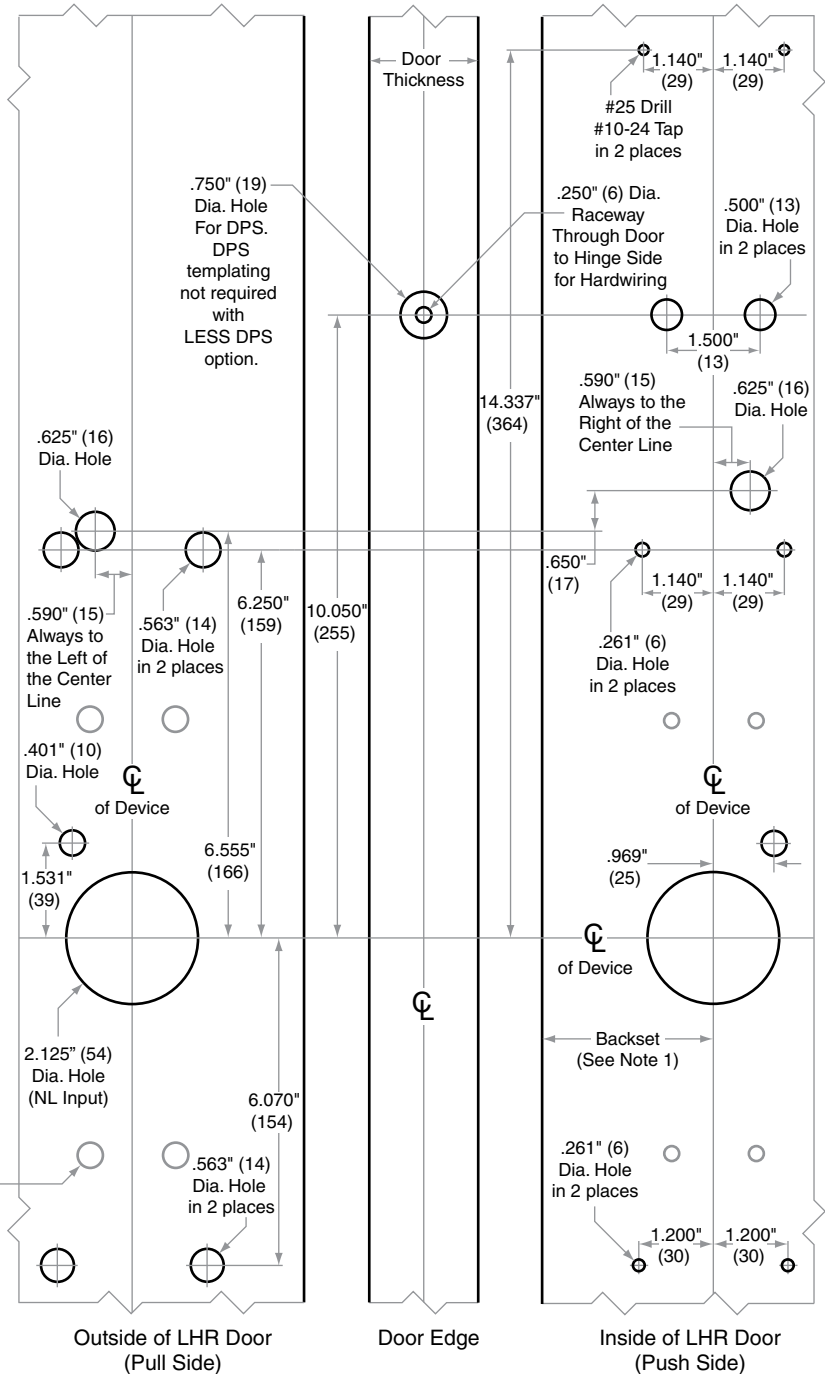
[Return to Index](#)



AD-Series

Models AD-200/250/300/400-993R/S

Door Type: Metal Exit Devices: Rim, Surface Vertical
 Door Thickness: 1¾" (44 mm) – 2¾" (70 mm)
 Faceplate: None
 Backsets: Various



**Left Hand Reverse (LHR)
Door Shown**

**Note 1:
For Backset, See Applicable
Von Duprin 98-R/99-R,
9827/9927, 22-R, or 2227
Series Exit Device Template.**

98/99 Exit Device Holes
in 4 places
for Reference Only

Dimensions shown in parentheses () are in millimeters.

Door preparation template

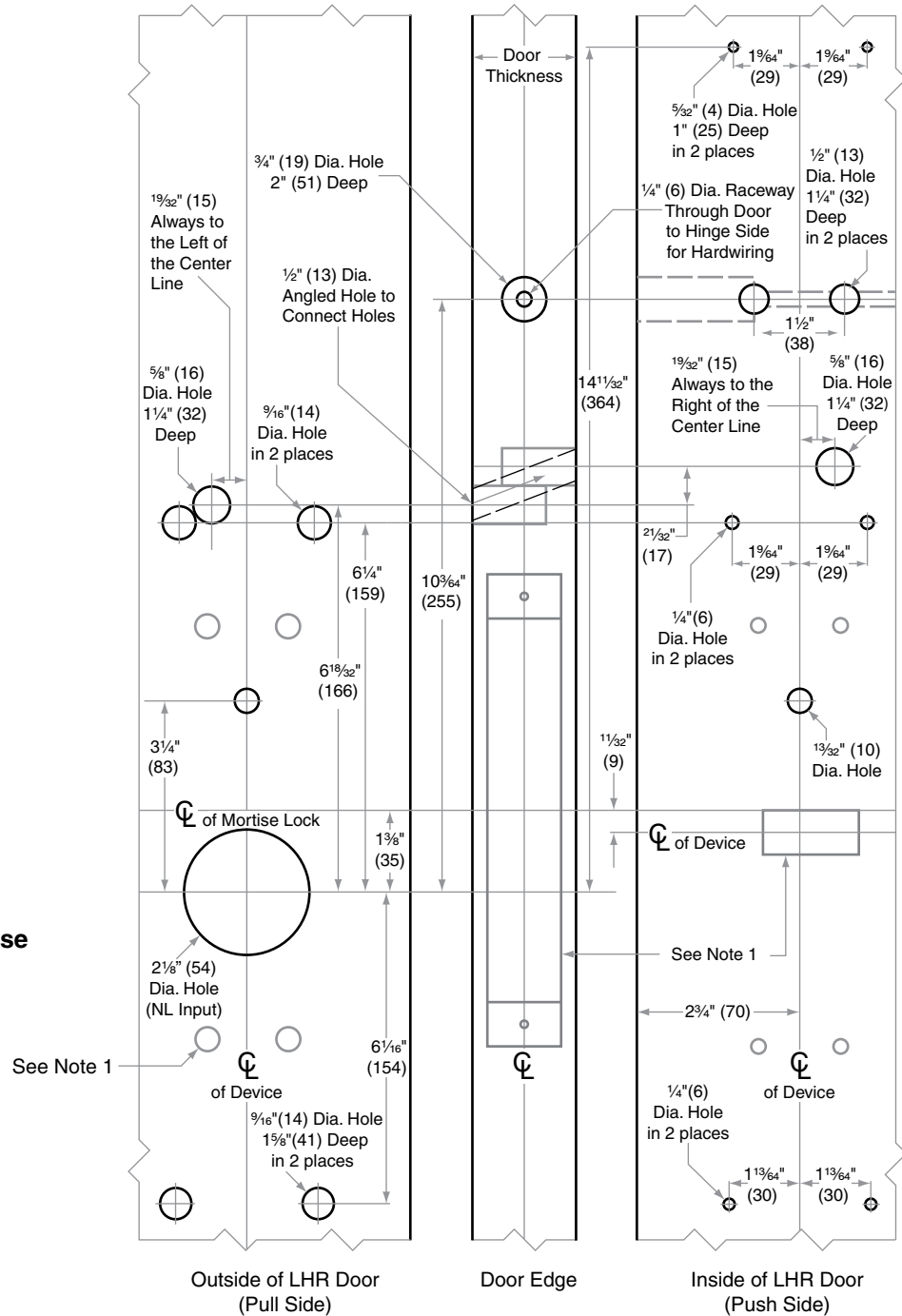
AD108



AD-Series

Models AD-200/250/300/400-993M

Door Type: Wood Exit Devices: Mortise
 Door Thickness: 1 3/4" (44 mm) – 2 3/4" (70 mm)
 Faceplate: None
 Backsets: Various



**Left Hand Reverse (LHR)
Door Shown**

**Note 1:
For Mortise Lock and Mortise
Exit Device Preparation
See Von Duprin 98/9975
Series Templates**

Dimensions shown in parentheses () are in millimeters.

Door preparation template

AD109



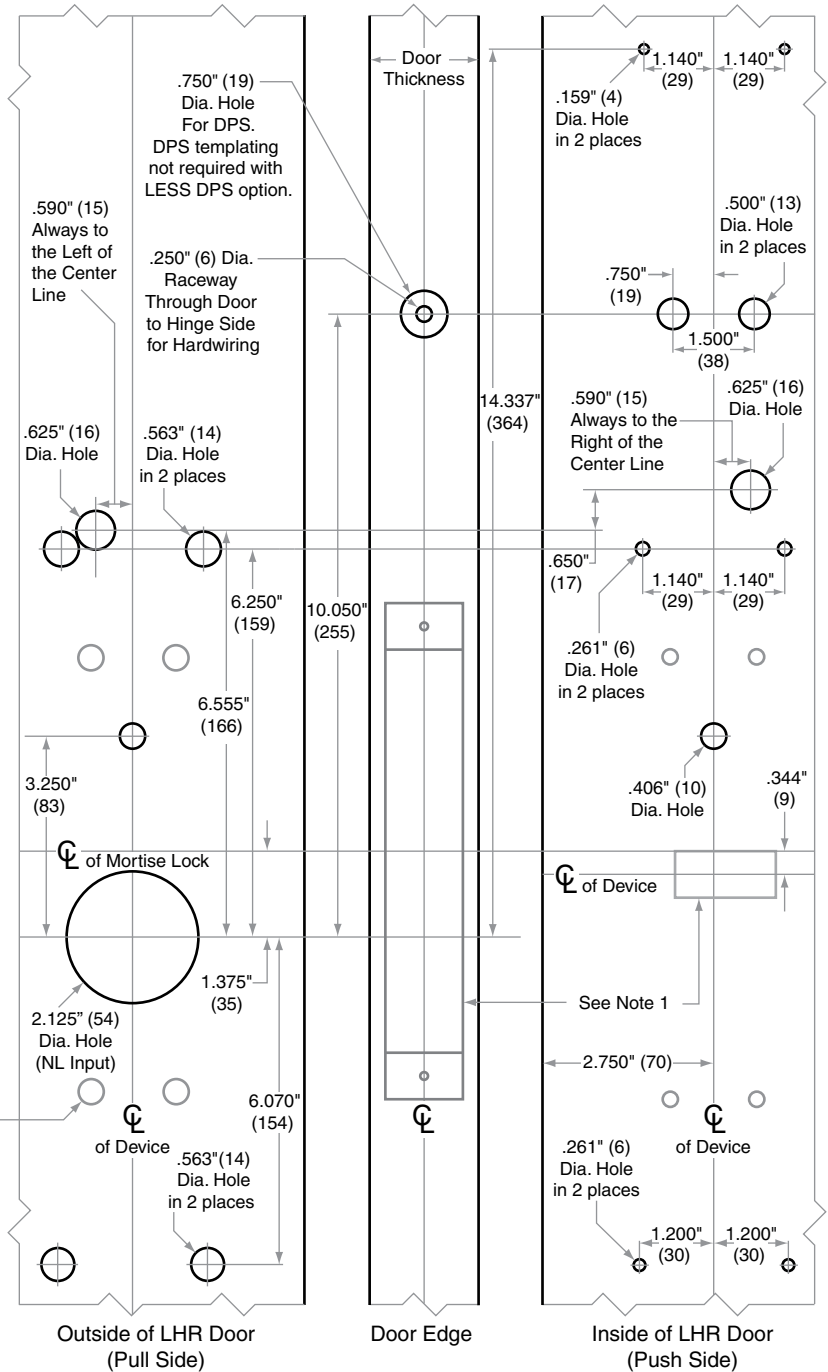
[Return to Index](#)



AD-Series

Models AD-200/250/300/400-993M

Door Type: Metal Exit Devices: Mortise
 Door Thickness: 1 3/4" (44 mm) – 2 3/4" (70 mm)
 Faceplate: None
 Backsets: Various



**Left Hand Reverse (LHR)
Door Shown**

**Note 1:
For Mortise Lock and Mortise
Exit Device Preparation
See Von Duprin 98/9975
Series Templates**

98/99 Exit Device
Holes in 4 places
for Reference Only

Dimensions shown in parentheses () are in millimeters.

Door preparation template



[Return to Index](#)



AD-Series

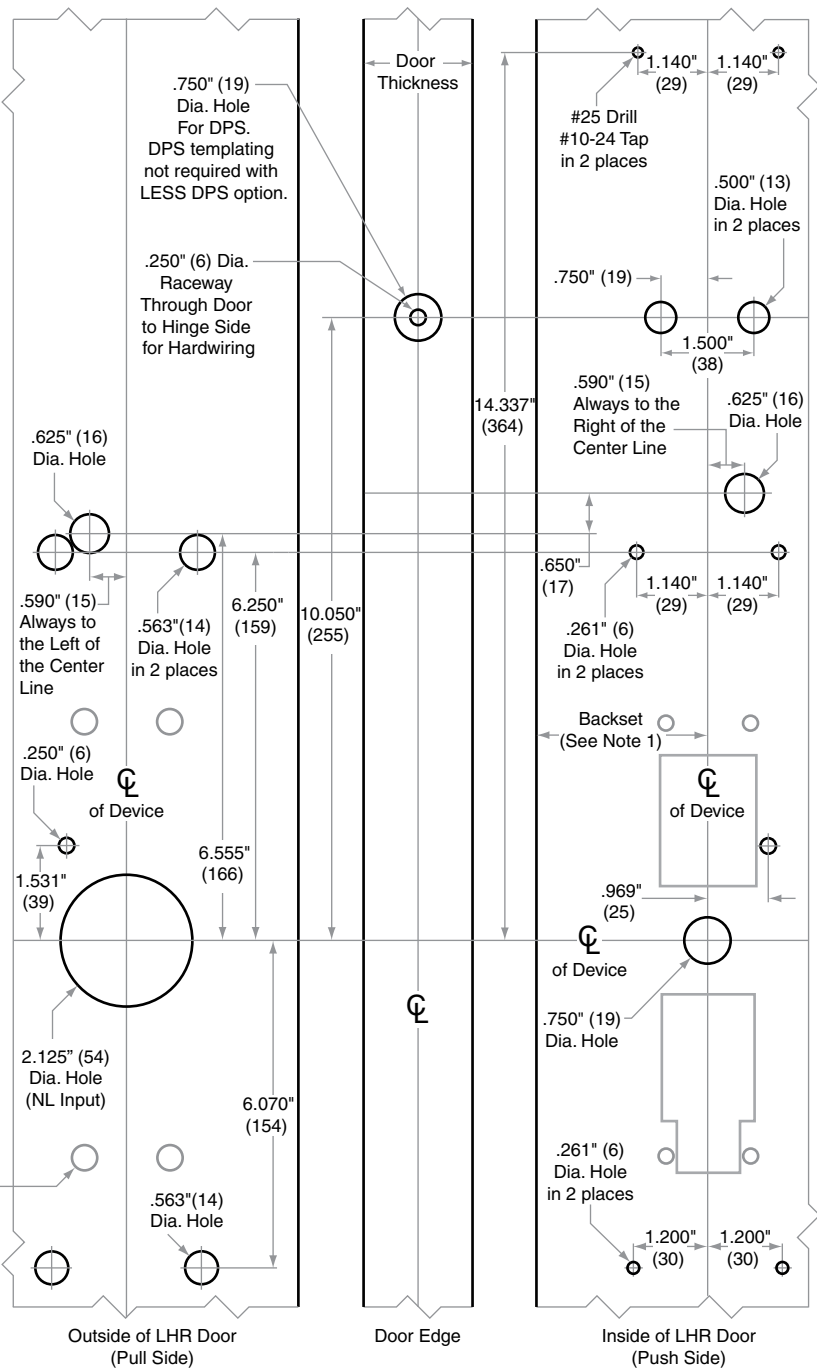
Models AD-200/250/300/400-993R

Door Type: Metal Exit Devices: Concealed Vertical
 Door Thickness: 1¾" (44 mm) – 2¾" (70 mm)
 Faceplate: None
 Backsets: Various

Left Hand Reverse (LHR) Door Shown

Note 1:
 For backset and exit device cutouts, see Von Duprin 9847/9947 series exit device templates.

98/99 Exit Device Holes in 4 places for Reference Only



Dimensions shown in parentheses () are in millimeters.

Door preparation template