



941071-00

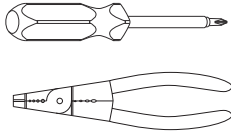
Electric Power Transfer (EPT)

EPT2, EPT10, & EPT10C

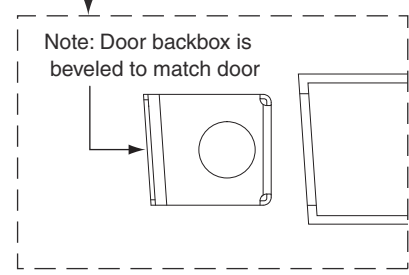
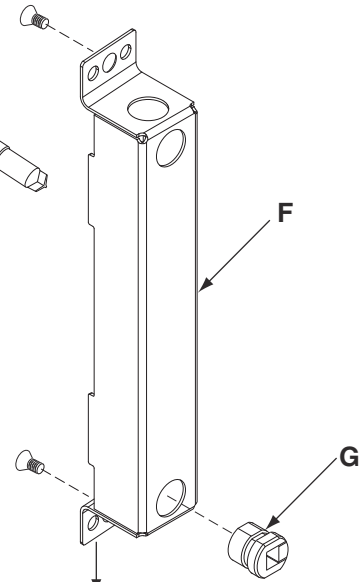
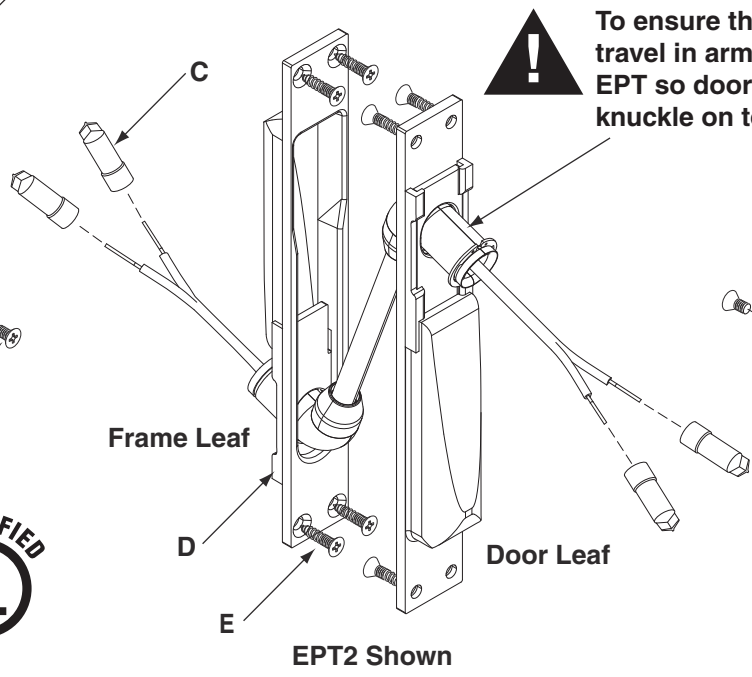
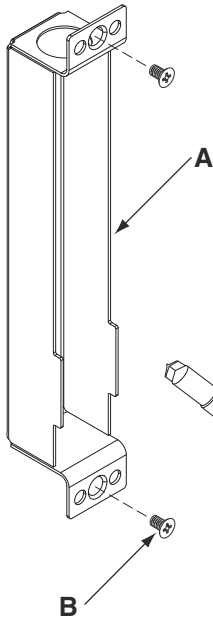
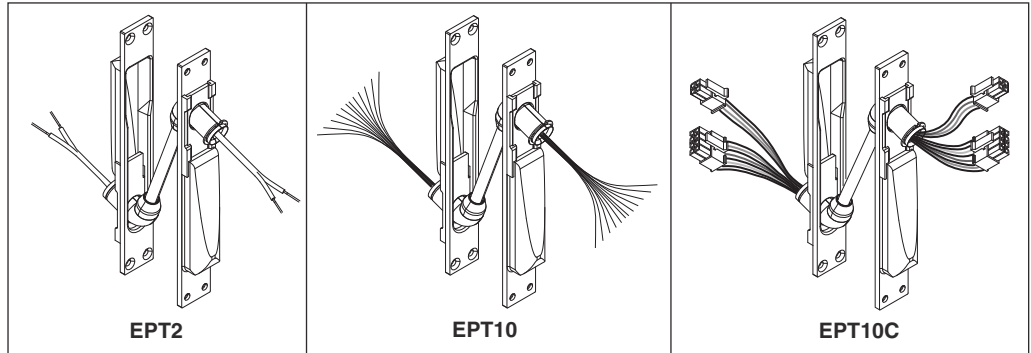
VON DUPRIN®

Installation Instructions

Tools for Install



Read all Warnings Before Starting Installation!



- A. Frame Backbox
- B. Metal - #10-24 x 3/8" Flat Phillips Head Machine Screw (4)
Wood - #10 x 3/4" Flat Phillips Head Wood Screw (4)
- C. EPT2 - Wire Connectors 12 Gauge Yellow (4)
EPT10 - Wire Connectors 18 Gauge Violet (20)
EPT10C - Wire Connectors 18 Gauge Violet (20)
- D. EPT Assembly
- E. Metal - #10-24 x 3/4" Flat Phillips Head Machine Screw (8)
Wood - #10 x 3/4" Flat Phillips Head Wood Screw (8)
- F. Door Backbox
- G. Strain Relief



Customer Service
1-877-671-7011 www.allegion.com/us

© Allegion 2022
Printed in U.S.A.
941071-00 Rev. 4/22-g

General Information

An electric power transfer (EPT) provides a wiring path from the door to the frame.

These instructions assume that a factory-prepped door and frame are being used. If the door and frame have not been factory-prepped, see the included dimensioned template.

Before beginning the installation, review "Specifications" and "Warnings".

Specifications

Applications

EPT **can** be used for:

- Door Thickness - 1-3/4" minimum
Note: The following specifications apply to a 1-3/4" thick door.
- 0 - 180° opening with up to 5" wide butt hinges
- 0 - 180° opening with up to 3/4" offset pivots
- 0 - 130° opening with 5-1/2" wide butt hinges
- 0 - 110° opening with 6" wide butt hinges
- 0 - 90° opening with swing clear hinges

EPT **cannot** be used for:

- 1-1/2" offset pivots
- larger than 6" wide butt hinges
- pocket pivots
- swing clear hinges on a door that will open more than 90°
- center hung door (center pivot)
- balanced door

Electrical Ratings

EPT2

- Two 18AWG wires
- Max. Rating: 24VDC, 5A or 120VAC NEC Class 3

EPT10 & EPT10C

- Ten 24AWG wires
- Max Rating: 24VDC, 1A

Read all Warnings Before Starting Installation!



CAUTION

Do not exceed rated specifications (shown above).



CAUTION

EPT must be installed in accordance with these instructions by a qualified electrician.



CAUTION

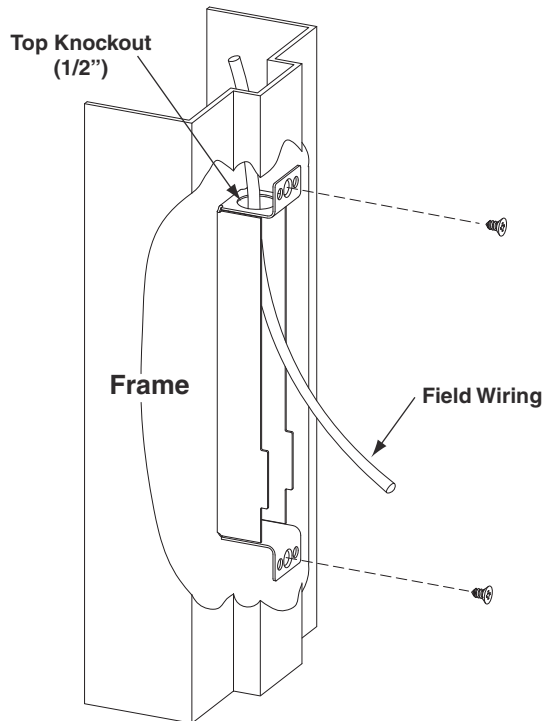
Wiring must be in accordance with all local codes and regulations.

Installation

1 Use Template from Back Page to Verify Preparation

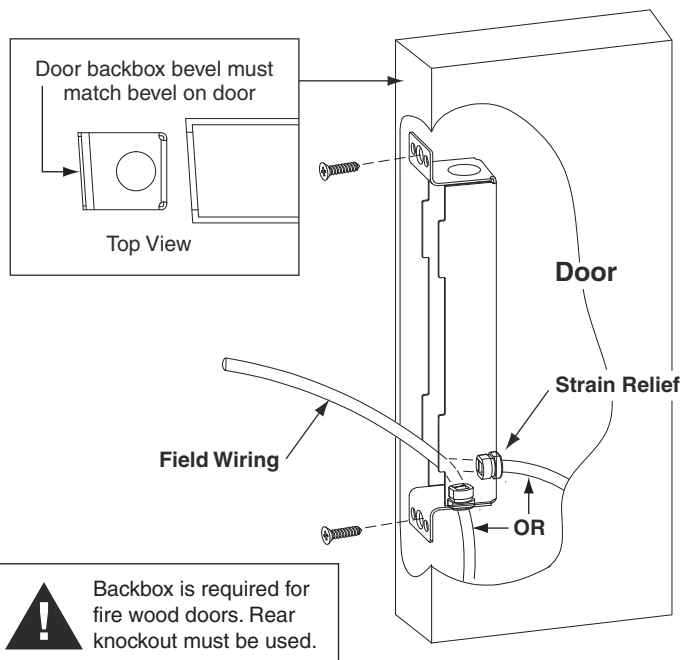
2 Mount Frame Backbox

- Remove knockout from top
- Install 1/2" conduit, if used
- Pull 5" of field wiring through knockout

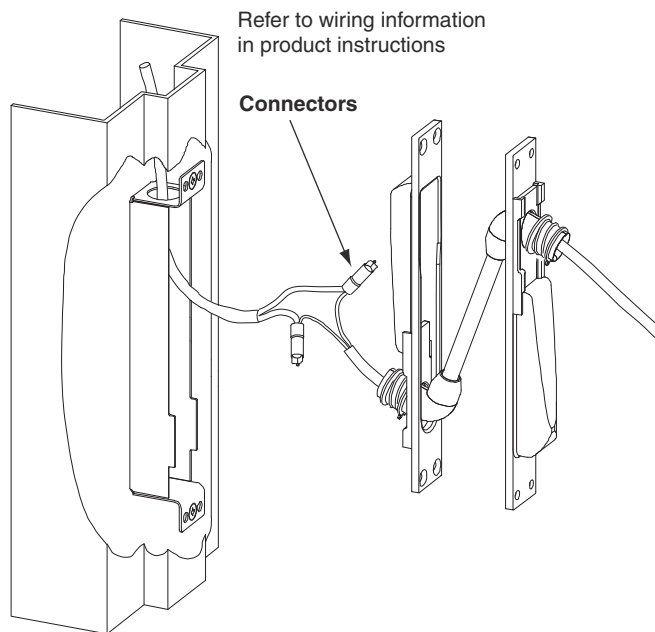


3 Mount Door Backbox

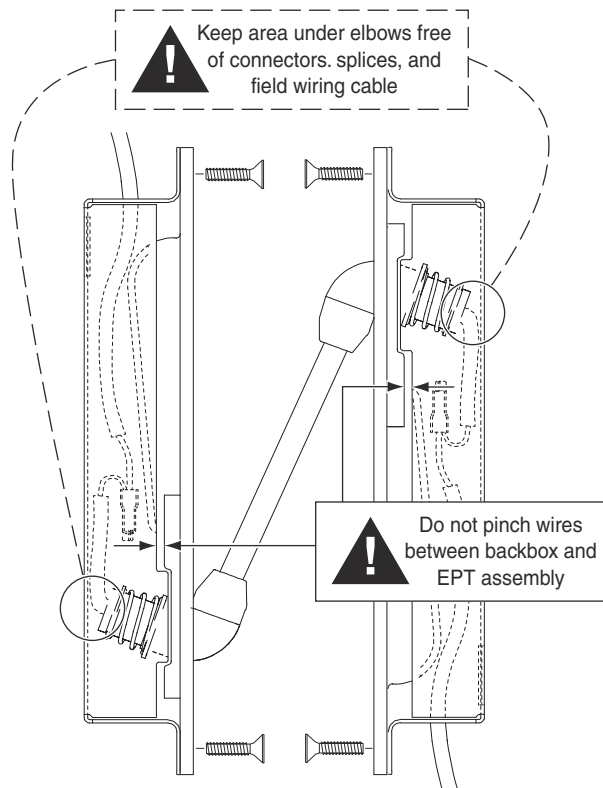
- Ensure backbox bevel matches door bevel
- Remove knockout:
 - from bottom for **metal** doors
 - from back for **wood** doors
- Pull 5" of field wiring through knockout
- Install strain relief



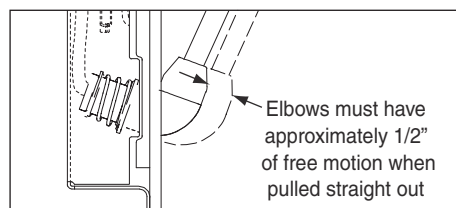
4 Connect Wires



5 Mount EPT Assembly

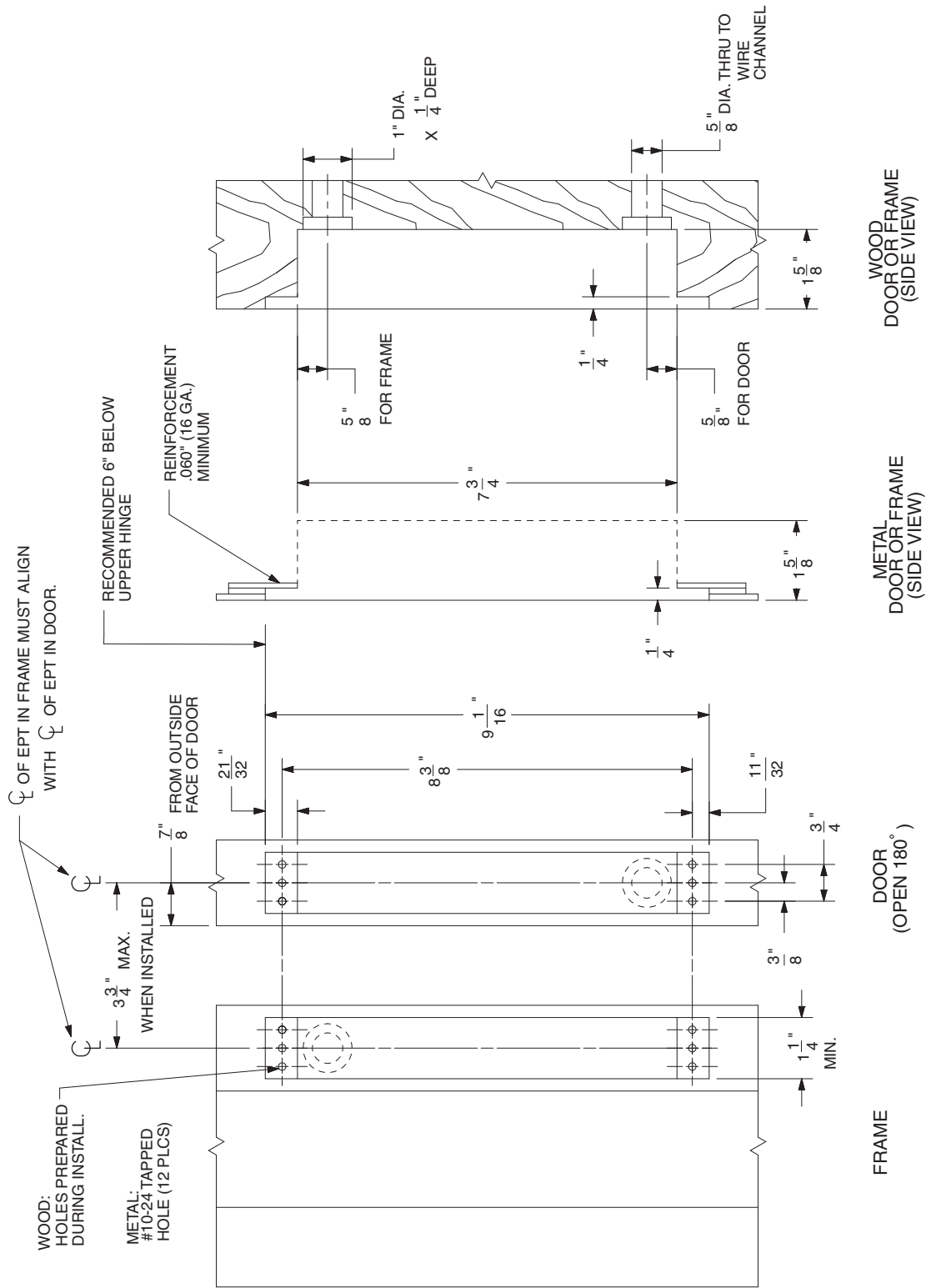


6 Verify that door opens and closes properly without binding and that electrical components function



Template

Note: This drawing is not to scale



*ALL DIMENSIONS ARE TYPICAL