



2720 Tobey Drive, Indianapolis, IN 46219
 Tel 1-877-671-7011 ■ Fax 800-851-0000
 Zero.Customer.Support@allegion.com
 www.zerointernational.com

Part No:

5833

Part description:

Head & jamb gasketing

Notes:

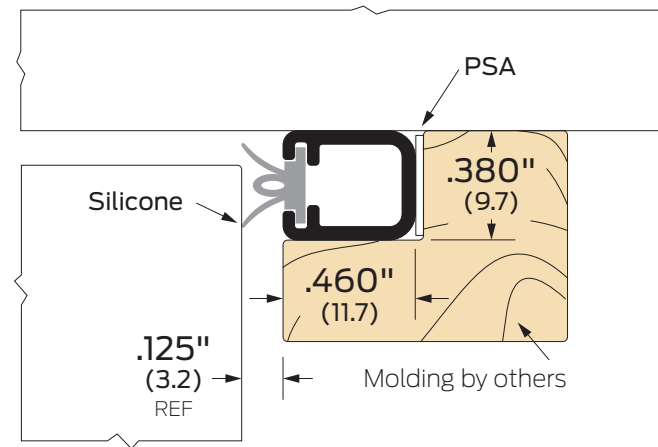
Provided by:

Customer name:

Job no:

Date:

Image may not be shown to scale



Notes:

For applications with very small clearances between door and frame. Supplied standard with PSA.

Certifications:

Fire rated-UL10c

ANSI/BHMA:

5833AA, 5833BK, 5833D, 5833G

R3E164

Finishes:

- AA** Aluminum clear anodized
- BK** Aluminum black anodized
- D** Aluminum dark bronze anodized
- G** Aluminum gold anodized

Options:

S Order as a set

