



2720 Tobey Drive, Indianapolis, IN 46219
Tel 1-877-671-7011 ■ Fax 800-851-0000
Zero.Customer.Support@allegion.com
www.zerointernational.com

Part No:

154

Part description:

Door shoe

Notes:

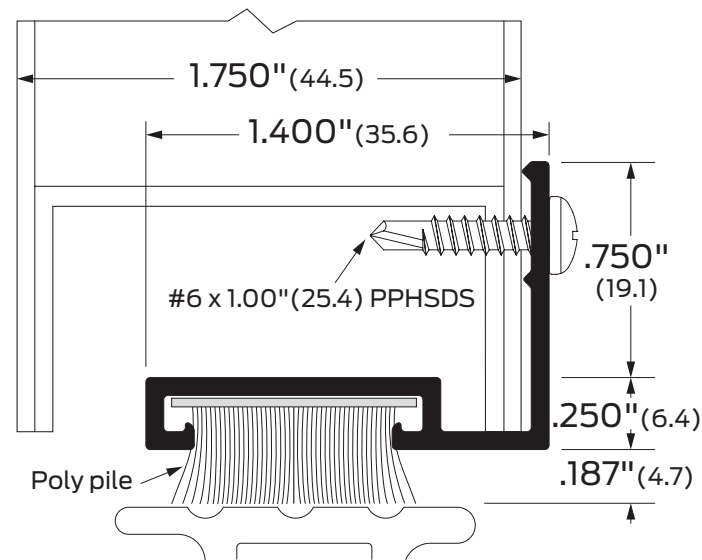
Provided by:

Customer name:

Job no:

Date:

Image may not be shown to scale



ANSI/BHMA:

154A, 154BK, 154D, 154G

R3F416

Finishes:

- A** Aluminum mill finish
- BK** Aluminum black anodized
- D** Aluminum dark bronze anodized
- G** Aluminum gold anodized

Options:

- SEC** Security screws

