



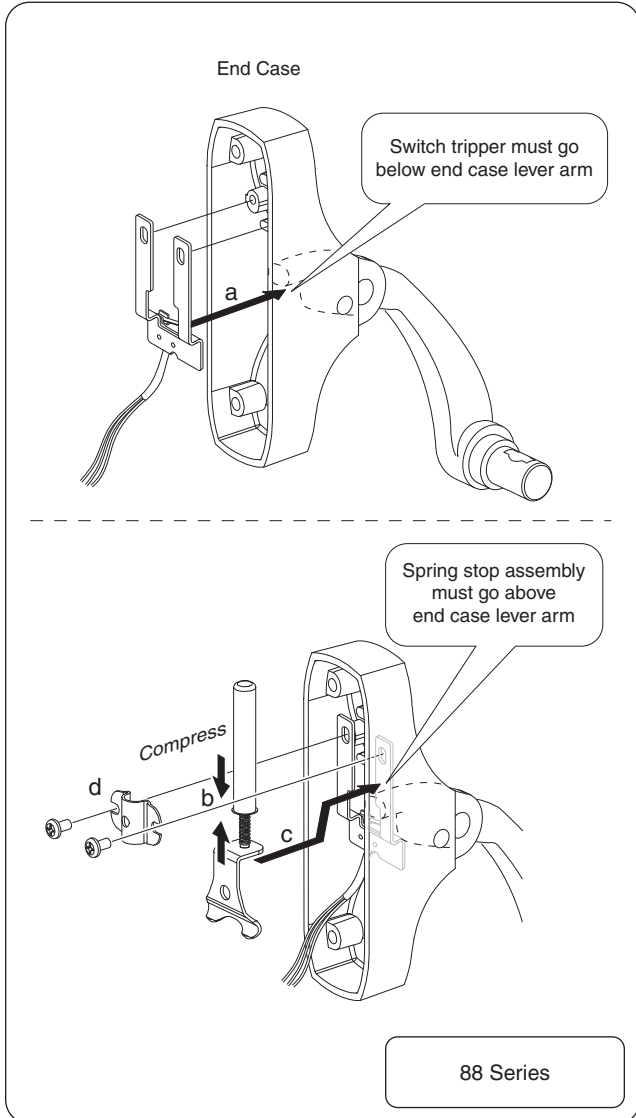
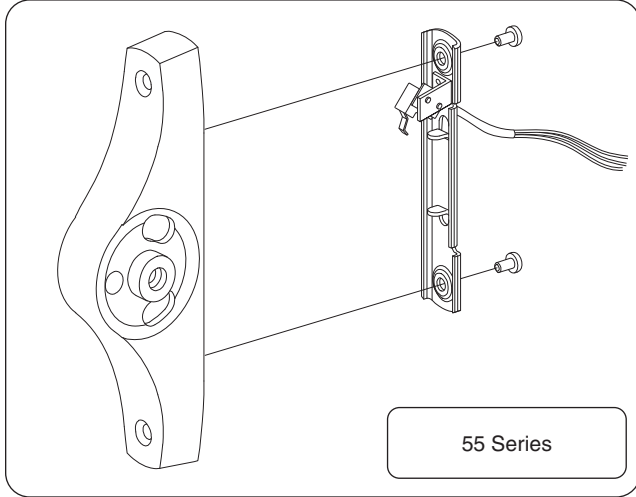
ININST.1124

# RX Switch Kit

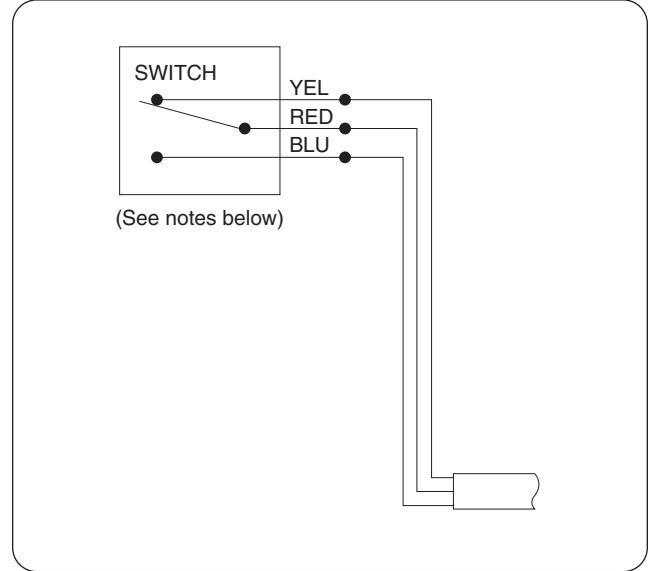
For 55 and 88 Series Exit Devices

VON DUPRIN®

## 1 Install RX Switch for 55 or 88 Series, as shown



## 2 Wire RX Switch



### Notes

- The switch function is shown with the latchbolt extended and the crossbar not depressed.
- The crossbar monitor switch is activated whenever the crossbar is depressed.
- The Von Duprin EPT-10 power transfer or electric hinge or door loop is required to transfer the wiring from the door to the frame.
- Connect power transfer wires and cable wires with pigtail splices. Unused wires should be cut off or insulated.



Customer Service

1-877-671-7011 [www.allegion.com/us](http://www.allegion.com/us)

© Allegion 2020  
Printed in U.S.A.  
ININST.1124 Rev. 11/20-b