



941389-00

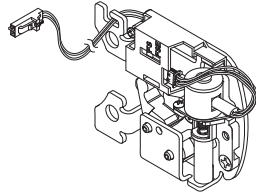
Motorized Locking Trim

# M996L Series Retrofit

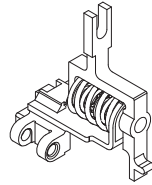
**VON DUPRIN**

Installation Instructions

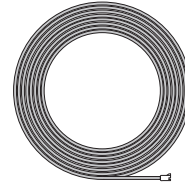
## Parts Included



M996 Motorized Module



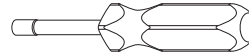
Slider Assembly



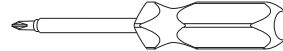
M996 Wire Harness  
Cable.10038

## Tools Needed

5/16" Nut driver



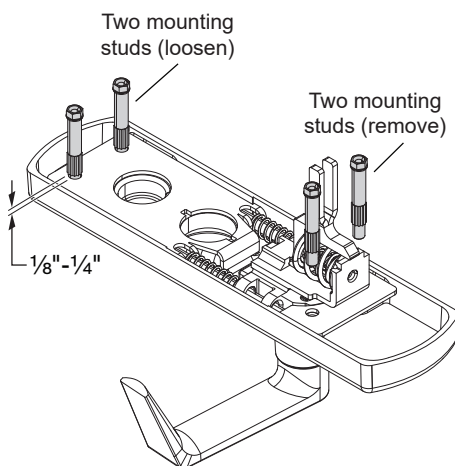
#2 Phillips screwdriver



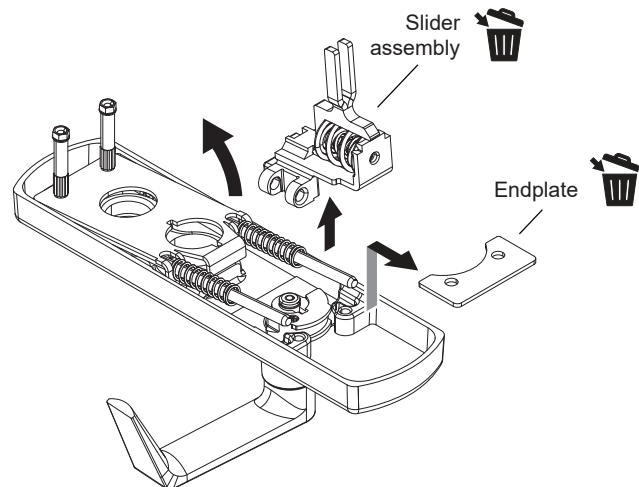
## 1 Retrofit Mechanical Trim to M996.

➡ Skip to Step 2 if converting E996 solenoid trim.

- 1.1. Remove cylinder (if applicable). Using a 5/16" nut driver, remove the two mounting studs nearest the lever and loosen the top two mounting studs between 1/8 and 1/4 of an inch (Figure 1-1).
- 1.2. Tilt slider assembly up at an angle and remove endplate and slider assembly (Figure 1-2). Discard slider assembly and endplate.



**Fig. 1-1**



**Fig. 1-2**

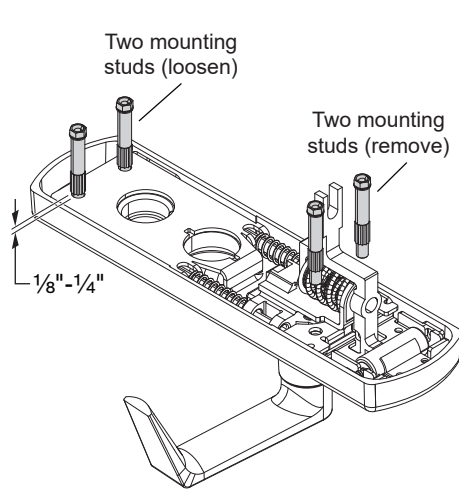
## 2 Retrofit E996 Trim to M996.

➡ Skip if Step 1 was completed.

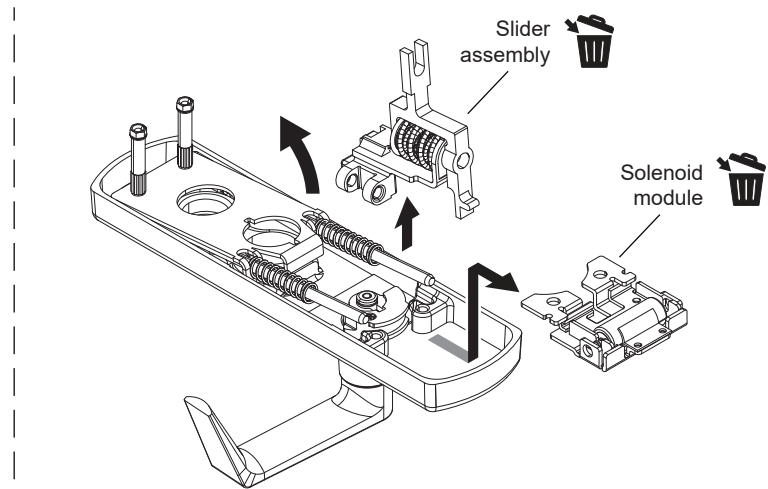
2.1. Remove cylinder (if applicable). Using a 5/16" nut driver, remove the two mounting studs nearest the lever and loosen the top two mounting studs between 1/8 and 1/4 of an inch (Figure 2-1).

**Note:** The E996 and M996 slider assemblies are the same, however, it is recommended to install the new slider assembly.

2.2. Lift slider assembly up at an angle and remove solenoid module and slider assembly (Figure 2-2).



**Fig. 2-1**

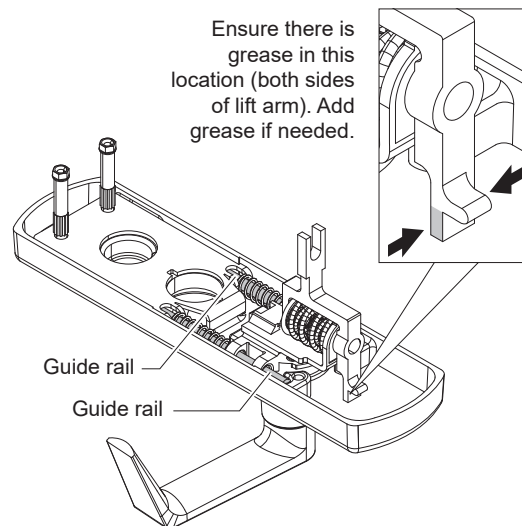


**Fig. 2-2**

## 3 Install new slider assembly.

3.1. Ensure that there is grease on the new slider assembly's lift arm where it will contact the M996 stamping (Figure 3-1). Apply grease if needed.

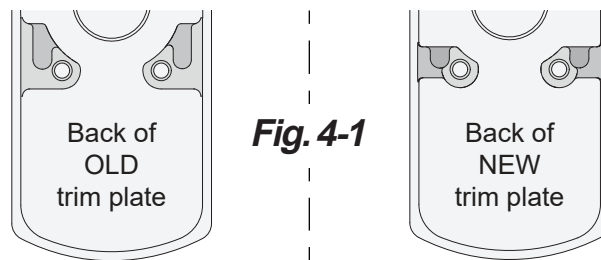
3.2. Install new lift arm assembly. Ensure guide rails are in the proper position.



**Fig. 3-1**

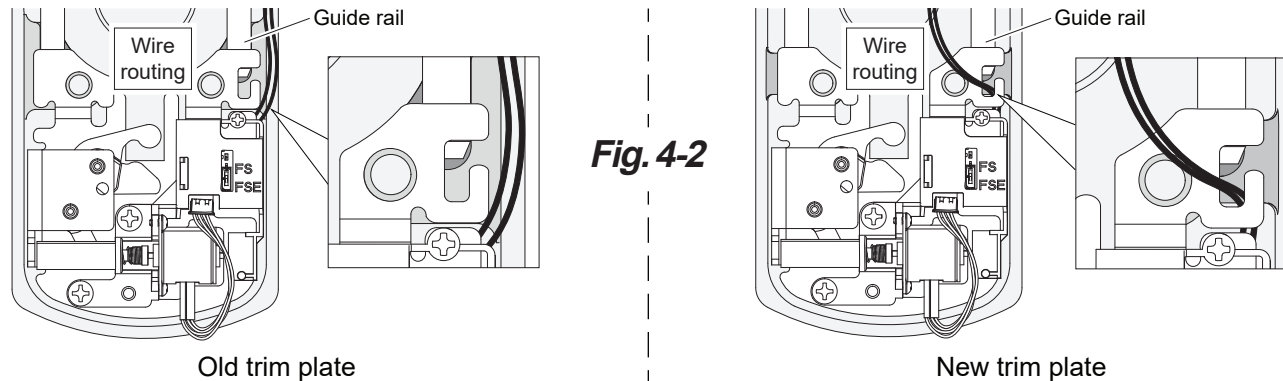
## 4 Install M996 module.

4.1. Determine if escutcheon (trim plate) is old or new design (Figure 4-1).



**Fig. 4-1**

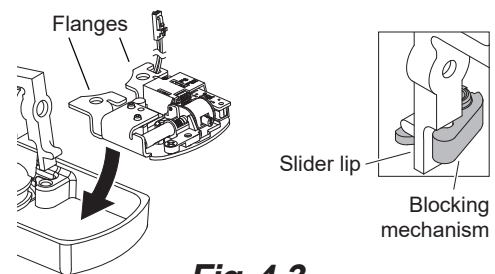
4.2. Route wires through slot on new module as shown below to prevent pinching (Figure 4-2).



**Fig. 4-2**

4.3. Install new Motorized Module. The blocking mechanism on the Motorized Module must engage the Vertical Slider as shown (Figure 4-3). **Tip:** Cycling the lever helps the module and blocking mechanism go back into place.

4.4. The two flanges on the Motorized Module end plate fit on top of the two guide rails to secure them in place (Figure 4-2).



**Fig. 4-3**

4.5. Secure four mounting studs and reinstall cylinder, if applicable.

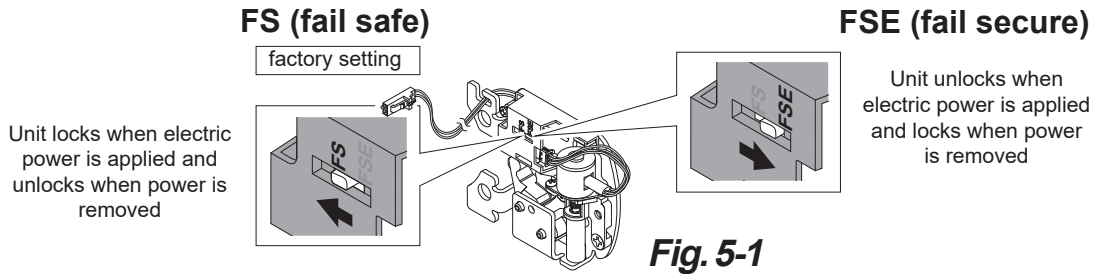
## 5 Change function (Fail Safe or Fail Secure) if necessary.



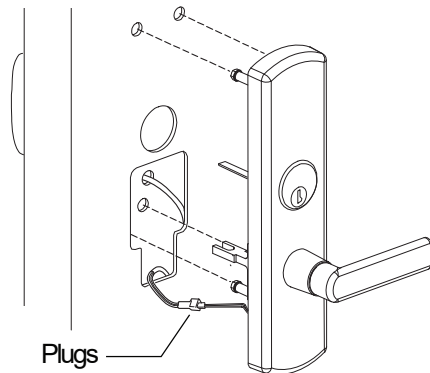
### CAUTION

Product is shipped in Fail Safe (FS) configuration. Fail Safe configuration is required by code in some applications (typically fire stairwells). Consult building codes before converting to Fail Secure (FSE) configuration.

- 5.1. To change function, use the tip of a small screwdriver to CAREFULLY move the switch to the desired position. The switch is factory set to fail safe (FS). Moving the switch changes the function to fail secure (FSE). See Figure 5-1.
- 5.2. After changing FS/FSE switch position, power cycle the unit two or more times when wired.



## 6 Connect trim plug to cable plug. (See Figure 6-1.)



## Explanation of warnings and cautions used in this booklet

Warnings look like this:

### WARNING

Warnings indicate potentially hazardous conditions, which if not avoided or corrected, may cause death or serious injury.

Notices look like this:



Notices indicate a condition that may cause equipment or property damage only.

Cautions look like this:

### CAUTION

Cautions indicate potentially hazardous conditions, which if not avoided or corrected, may cause minor or moderate injury. Cautions may also warn against unsafe practices.

Directions look like this:



Directions identify a step that may or may not apply to your product configuration. It also may direct you to another part of the instruction.

Customer Service

1-877-671-7011 www.allegion.com/us



© Allegion 2020  
Printed in U.S.A.  
941389-00 Rev. 08/20-b