



921009-00

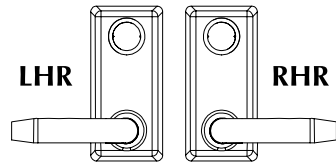
Lever Control

LP230L/L-BE

VON DUPRIN®

Installation Instructions

1. Change handing if required.



1.1. To change handing, remove retaining ring.

1.2. Use screwdriver to push up on slider leg to remove preload from lever cam.

1.3. Remove lever cam.

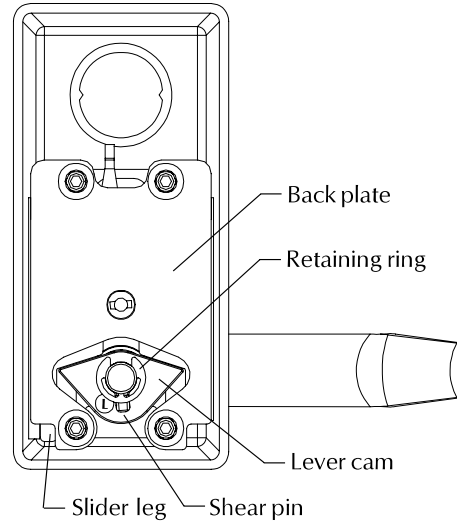
1.4. Remove shear pin.

1.5. Rotate lever handle 180°.

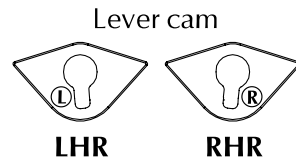
1.6. Re-install shear pin.

1.7. Re-install lever cam with correct handing.

1.8. Re-install retaining ring.

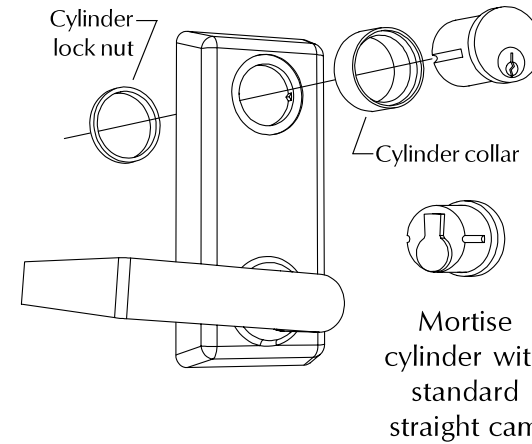


CAUTION
Do not remove the back plate.

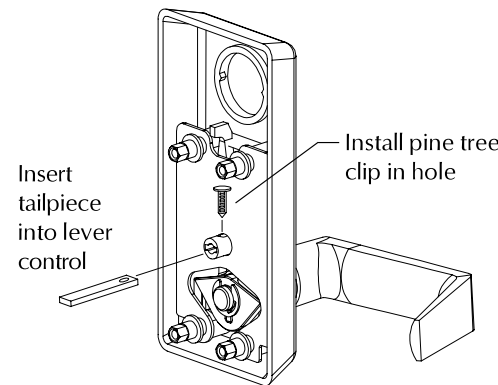


NOTE
The replaceable shear pin protects the assembly from damage when excessive torque is applied.

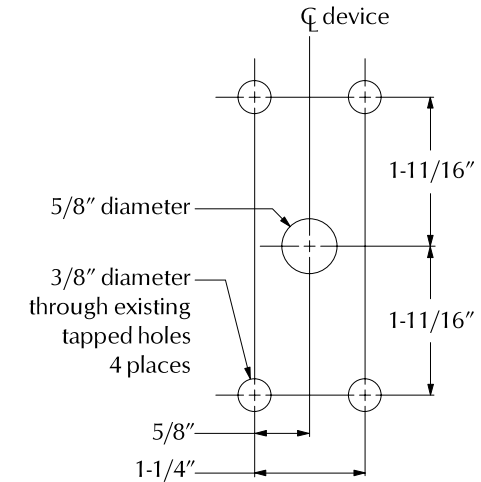
2. Install mortise cylinder (L lever control only). Use mortise cylinder with standard straight cam.



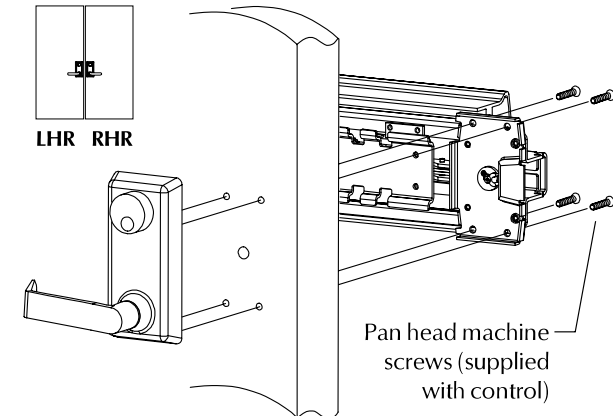
3. Install tailpiece.



4. Prepare door for lever control installation.



5. Install lever control and device (see device instructions).



Customer Service
1-877-671-7011 www.allegion.com/us



© Allegion 2014
Printed in U.S.A.
921009-00 Rev. 01/14-b