



941277-00

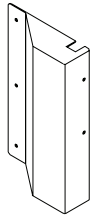
LGO

VON DUPRIN®

Latch Guard

Installation Instructions

PARTS



Latch Guard



Latch Guard Bracket



#8-32 Screw
(quantity 7)

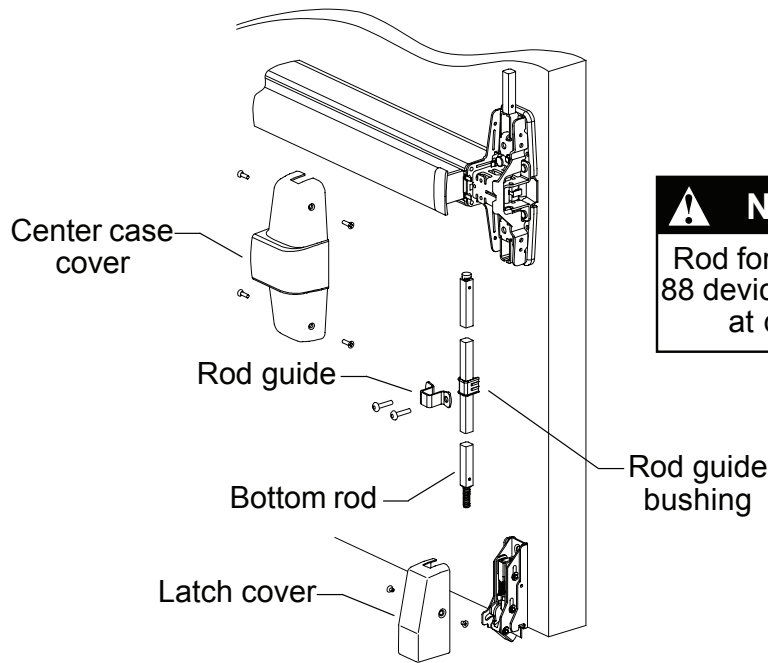


NOTE

This latch guard will cover a bottom latch that projects as far as 1-13/16" from the door.

INSTALLATION

- 1 Remove center case cover, latch cover, rod guide, and bottom rod (Figure 1).



NOTE

Rod for 33/35 and 88 device unscrews at device.

Figure 1



Customer Service

1-877-671-7011

www.allegion.com/us

© Allegion 2014
Printed in U.S.A.
941277-00 Rev. 06/14-b

- 2 Locate and install latch guard bracket with two #8-32 screws (Figure 2 and Figure 3).

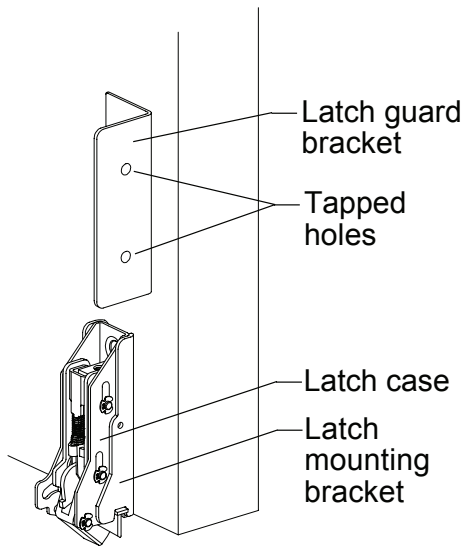


Figure 2

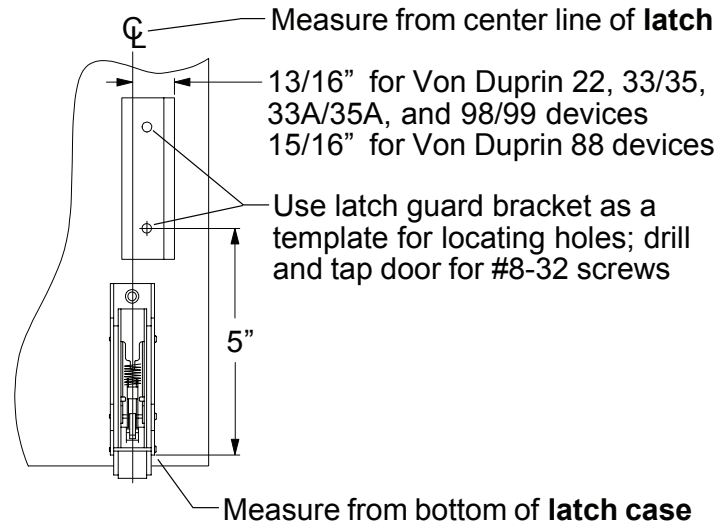


Figure 3

- 3 Reinstall rod and adjust rods per device instructions.
- 4 Reinstall rod guide bushing, rod guide, center case cover, and latch cover.
- 5 Drill and tap door for #8-32 screws and install latch guard with five #8-32 screws (Figure 4).

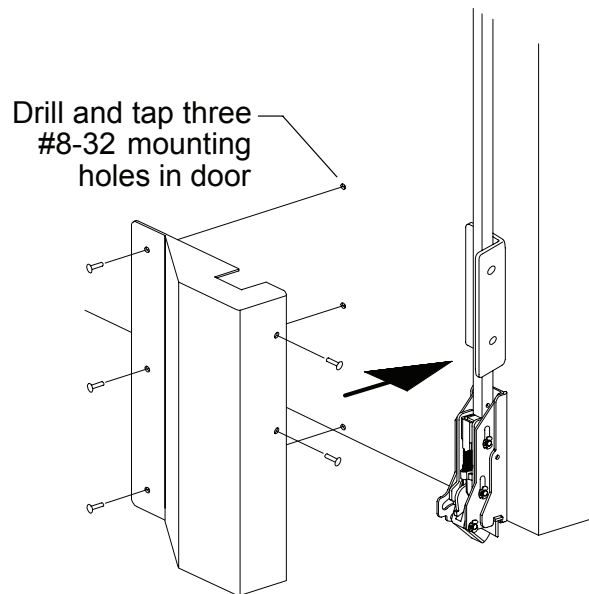


Figure 4