



911514-00

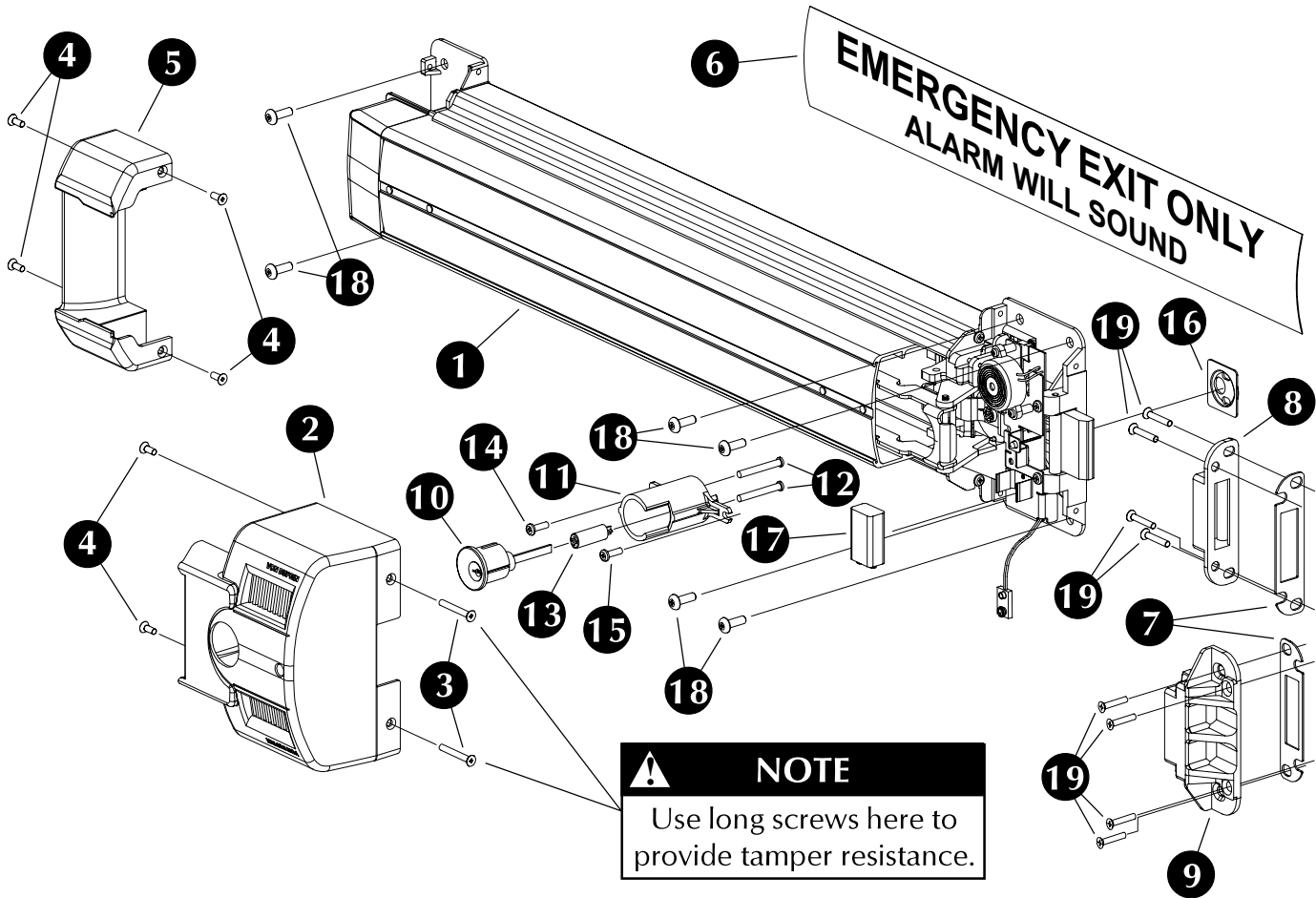
Guard-X

VON DUPRIN®

Exit Alarm Lock

Installation Instructions

PARTS LIST



Item	Quantity	Description	Item	Quantity	Description	
1	1	GUARD-X Exit Alarm Lock	10	1	Standard rim cylinder (required; not supplied)	
2	1	Center case cover	11	1	Cylinder mounting bracket	
3	2	10-16 x 1-1/2" flat head sheet metal screw	12	2	Rim cylinder mounting screws	
4	6	10-16 x 5/8" flat head sheet metal screw	13	1	Cylinder tailpiece extension	
5	1	Hinge side case cover	14	1	10-16 x 5/8" pan head machine screw	
6	1	Signage insert	15	1	12-24 x 3/4" pan head machine screw	
7	1	Strike shim	16	1	Outside cylinder plate	
8	1	Single door strike*	17	1	9 volt battery	
9	1	Double door strike*	18	6	1/4-20 x 3/4" pan head machine screw and	
				6	1/4-14 x 1" pan head sheet metal screw	
				19	4	1/4-20 x 1" flat head machine screw and
				4	1/4-14 x 1-1/4" flat head sheet metal screw	

*Supplied with single door strike
OR double door strike.



Customer Service
 1-877-671-7011 www.allegion.com/us

TESTING

Test device as described below. If device fails any step, check cross slot alignment (see Step 13 of installation instructions) and battery installation (see Step 14 of installation instructions).

1. Close door and turn cylinder key 360 degrees clockwise. Dead bolt will extend and red light on device will blink every 16 seconds indicating that device is armed.
2. Press pushpad to open door. Alarm will sound.
3. Close door. Turn cylinder key 360 degrees clockwise. Dead bolt will extend, alarm will stop, and red light on device will blink every 16 seconds indicating that device is armed.
4. Turn cylinder key 360 degrees counterclockwise to retract dead bolt. Red light on device will stop blinking indicating that device is not armed.
5. Press pushpad to open door. Alarm will not sound.

OPERATION

	Inside Cylinder	Outside Cylinder
Turning key 360 degrees clockwise	Extends dead bolt, stops sounding alarm, and arms device (red light blinks every 16 seconds)	Retracts dead bolt and disarms device (red light is off)
Turning key 360 degrees counterclockwise	Retracts dead bolt and disarms device (red light is off)	Extends dead bolt, stops sounding alarm, and arms device (red light blinks every 16 seconds)

BATTERY CONDITION

When the 9 volt battery in the device is running low, the device will emit a beep every 16 seconds. When this occurs, remove the center case cover and change the battery. **When changing the battery, be careful of the pinch points (see “Warning” below).**

When reinstalling the center case cover, be sure to use long screws where shown in the “Parts List” (other side) for tamper resistance.



WARNING

Pinch points. Can cause injury when pushpad is pressed with center case cover removed. Keep clear.

