

VON DUPRIN®

Installation Instructions

BEFORE APPLYING THIS DEVICE:

- Threshold (if any) must be installed.
- Doors must be fitted and hung.
- Check that handing of hardware corresponds with handing of door. See Figure 3.

1. Apply Strike

- Tape appropriate strike template to stop.
- When Von Duprin mullion is used, apply strike at tapped holes in mullion. See illustration 1 or 2.
- Vertical rod and rim devices on pairs of doors require 1609J strike. See template No. 30021 for this application.

2. Prepare Door

- Tape full size template No. 1 or 2 depending on handing of door, to inside face of lock stile. See Device Height Schedule.
- NOTE:** Be sure centerline of lock stile case is parallel to stop and that edge of case is 3/16" from edge of strike. Strike must be shimmed out if lock case is mounted more than 3/16" from strike.
- Prepare door as shown. See Figure 1 for wood door application and Figure 2 for metal door application.

3. Apply Outside Trim

- See directions in trim carton. Line "X-X" on trim template corresponds to line "X-X" on device template and is parallel to edge of door. Transfer line "X-X" from inside face to outside face of door.
- Prepare outside face of lock stile.
- If necessary, cut off knob spindle to extend 1/4" to 1/2" and cylinder tailpiece to extend 5/8" to 3/4" thru door and into device case.
- Apply outside trim.

4. Install Lever Arms

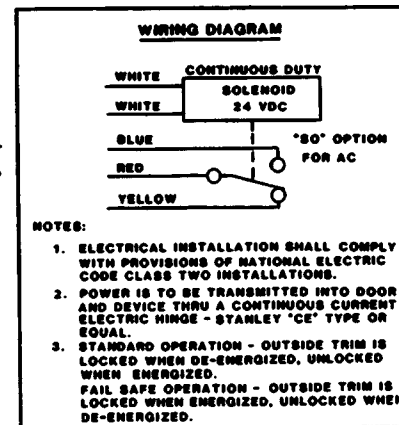
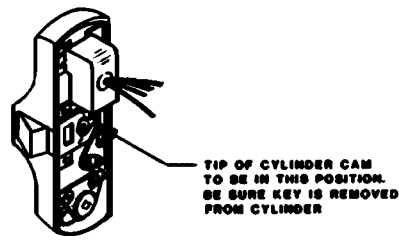
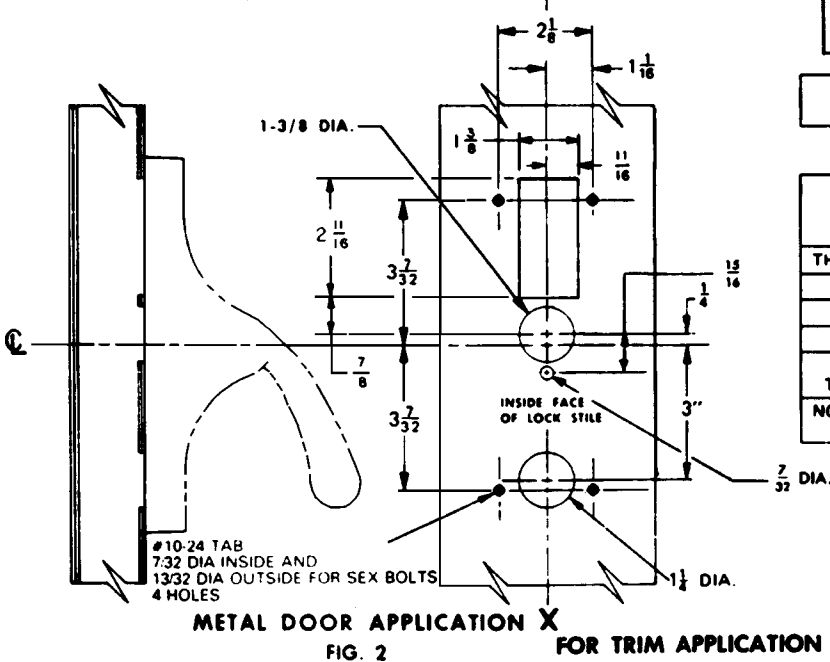
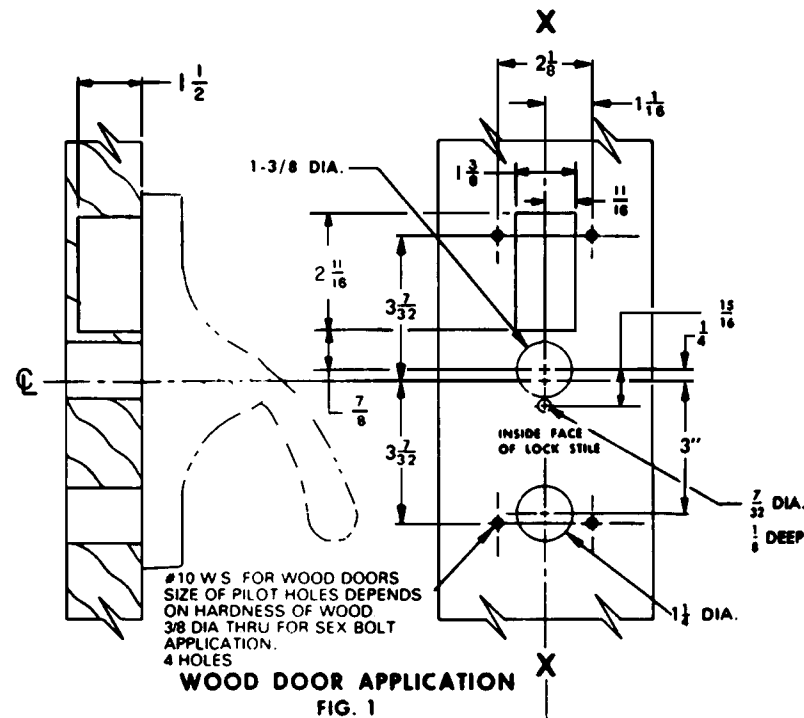
- Insert lever arms into lock stile and hinge stile cases.
- Assemble axles and tighten securely. (See instructions in axle envelope.)

5. Apply Lock Stile Case

- Remove key from cylinder.
- Position cylinder cam as shown in Figure 3.
- Attach lock stile case to door. (See Figure 1 or 2)
- Test key and knob action.

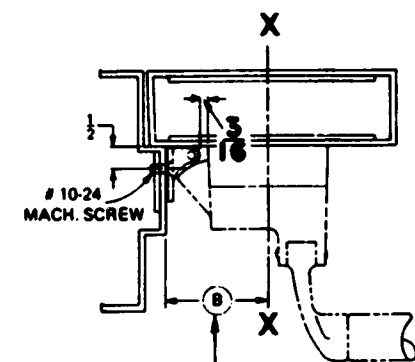
6. Apply Hinge Stile Case and Crossbar Tube (Figure 4)

- Dog lever arms in depressed position.
- Slip crossbar tube on lock stile and hinge stile lever arms. (See Direction Sheet 41009 for cutting crossbar, if necessary)
- Be sure crossbar is level and hinge stile case is parallel to edge of door and approximately on centerline of exposed stile.
- Using holes in hinge stile case, mark location and prepare door for attaching screws.
- Apply hinge stile case with crossbar in place.
- Tighten wedge-tite set screws securely with dog key and screwdriver or equivalent for leverage, and test crossbar for free action. (See Direction Sheet 41009 for these instructions).

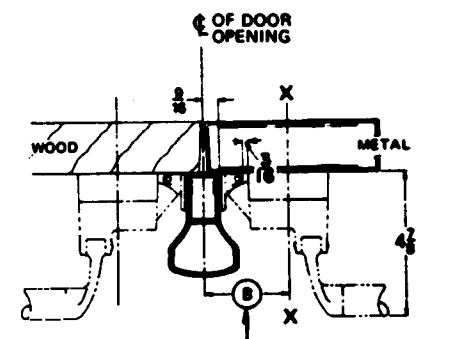
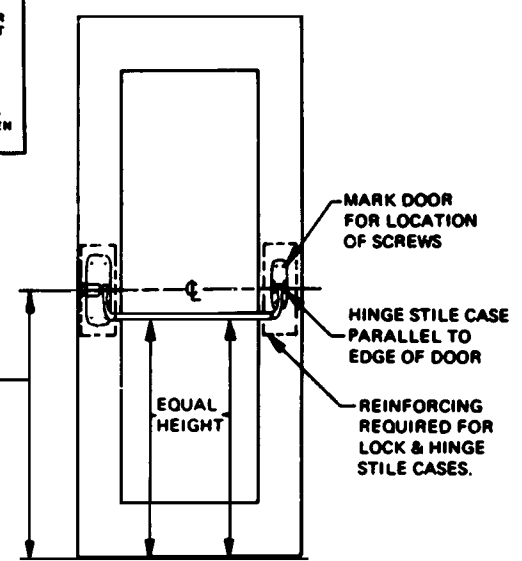


SINGLE DOOR OPENING 39 13/16 TO FINISHED FLOOR	
THRESHOLD NO.	TO FIN. FLOOR
350 or 360	39-11/16
355 or 365	39-13/16
390	39-15/16
ALL OTHER THRESHOLDS	39-11/16
NO THRESHOLD (FLAT SILL)	39-11/16

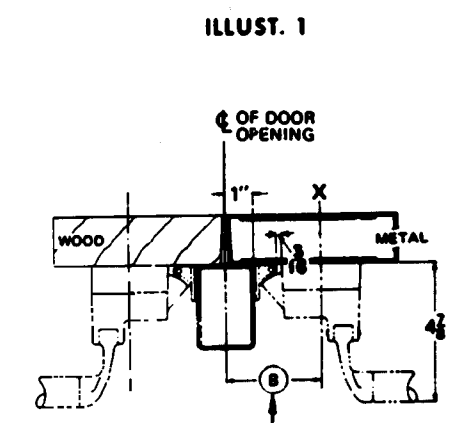
DOUBLE DOOR OPENING WITH VON DUPRIN MULLION AND THRESHOLD		
THRESHOLD NO.	TO FIN. FLOOR	
350 or 360	39-11/16	
355 or 365	39-13/16	
390	39-15/16	
ALL OTHER THRESHOLDS	39-11/16	
NO THRESHOLD (FLAT SILL)	39-11/16	



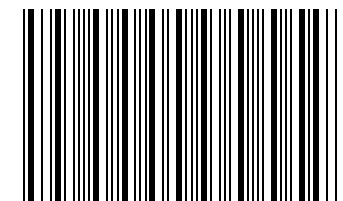
STRIKE	DIMENSION (B)	MIN. STILE
264	2-3/8	4-3/8
1606	1-15/16	3-15/16



DOUBLE DOOR INSTALLATION WITH VON DUPRIN MULLIONS		
MULLION & STRIKE	DIMENSION (B)	MIN. STILE
5254-5654-289/289F Shown	2-15/16	4-1/4
5654 or 5254 x 264	2-11/16	4"



DOUBLE DOOR INSTALLATION WITH VON DUPRIN MULLIONS		
MULLION & STRIKE	DIMENSION (B)	MIN. STILE
4954-299-299F Shown	3-3/8	4-11/16
4954 x 264	3-1/8	4-7/16
1654 x 1606	2-15/16	4-1/4



911184-00

Customer Service
1-877-671-7011 www.allegion.com/us

ALLEGION
© Allegion 2015
Printed in U.S.A.
911184-00 Rev. 06/15-b

DESCRIPTION
**E-88K-NL, E-88K-NL(FS) SERIES
ELECTRIC LOCKING RIM DEVICES**

VON DUPRIN®
INSTRUCTION NUMBER **911184-00** DATE **6/25/15**