

CONVERSION INSTRUCTIONS

1. Remove Device, trim & Mortise Lock from door & strike from frame.
2. Replace lift finger on 5534 device, see Fig.1.
 - A. Remove #8-32 x 5/16 P.P.H.M.S. (1), Spring Anchor (2) and Spring (3).
 - B. Remove #8-32 x 1/4 undercut F.P.H.M.S. (4).
 - C. Slide old Lift Member (5) from Lift Member Channel (6).
 - D. Slide new 5575-F Lift Member into Lift Member Channel (6).
 - E. Place this assembly into Center Case Housing (7) and install #8-32 x 1/4 undercut F.P.H.M.S. (4).
 - F. Install Spring (3), Spring Anchor (2) and #8-32 x 5/16 P.P.H.M.S. (1).

3. Convert trim if required.
 - A. If 605 DT, NL or K trim is used, no trim conversion is required.
 - B. If 605TP-M trim is used, see Fig.2.
4. For Mortise Lock conversion, see opposite side of sheet.
5. Install Mortise Lock device, trim, strike & cylinder (if required).

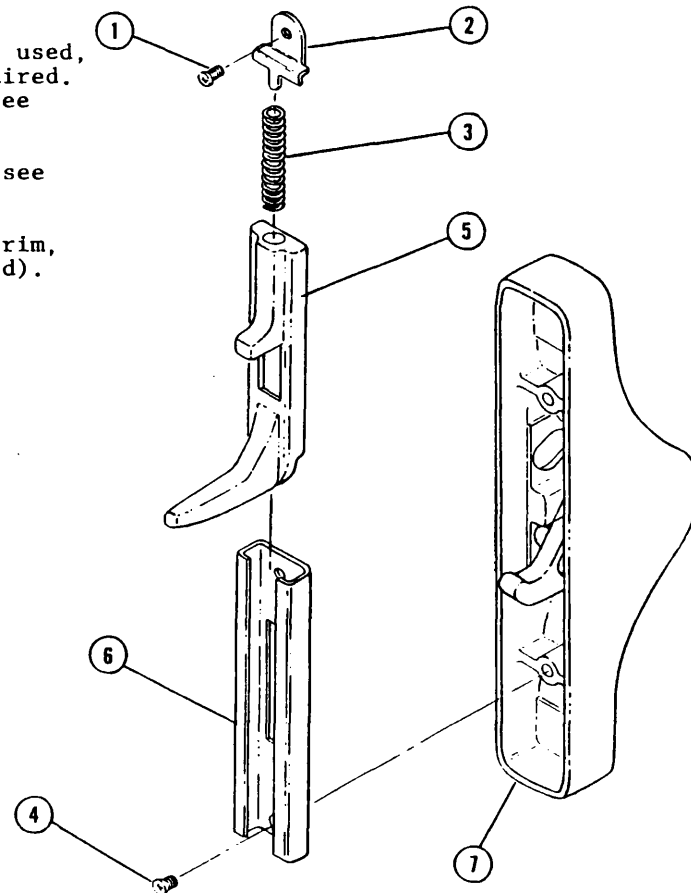


Fig. 1

VON DUPRIN

REPLACE 605 TP-M THUMBPIECE TO CONVERT TO 675 TP-M TRIM

1. Remove existing Thumbpiece Axle (2) and Thumbpiece (4) from Bracket (3).
- NOTE: Existing Thumbpiece Axle is a rivet and riveted end must be drilled out or ground away to remove axle.
2. Install new Thumbpiece (4) into Bracket (3).
 3. Install new Thumbpiece Axle (2) thru Bracket and Thumbpiece.
 4. Install Retaining Ring (1) on end of Thumbpiece Axle (2).

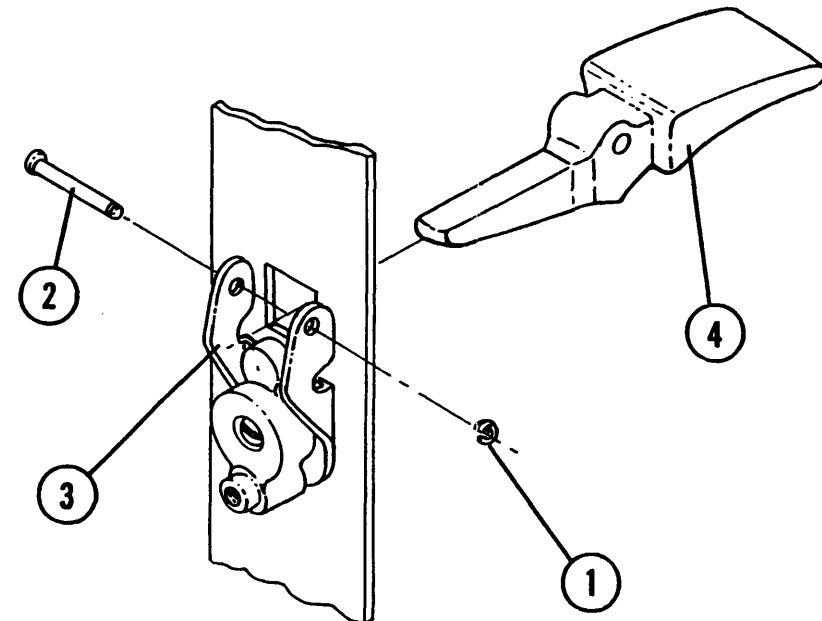
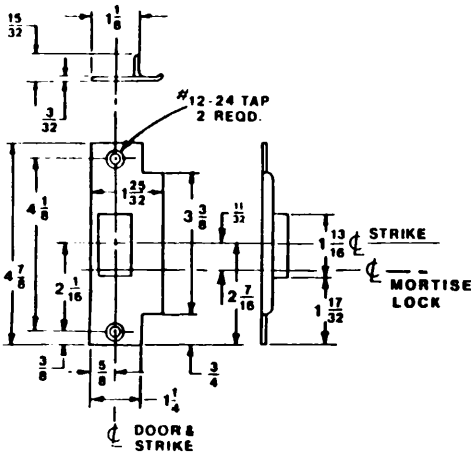


Fig. 2

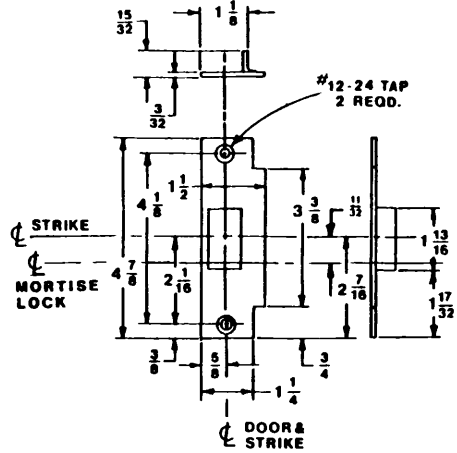
DESCRIPTION: INSTRUCTIONS FOR CONVERTING
34 MORTISE LOCK TO 7500 MORTISE
LOCK ON 55 MORTISE DEVICE

IR Ingersoll Rand
Security Technologies

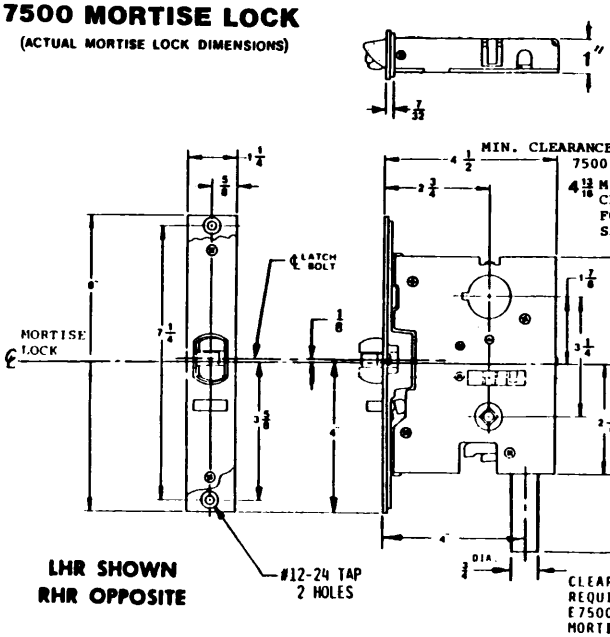
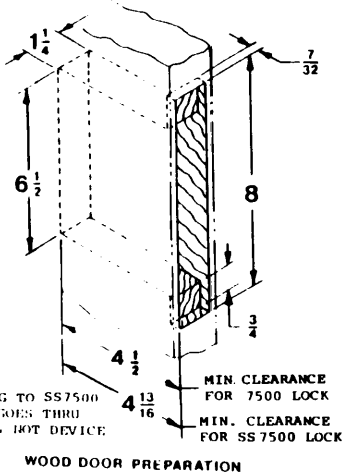
DIRECTION NUMBER: **941956-00(3)** DATE: **3-31-02**



575 MORTISE STRIKE
DIRECT REPLACEMENT FOR 582 STRIKE
SINGLE DOOR APPLICATION
LHR SHOWN
(ACTUAL STRIKE DIMENSIONS)



575-2 MORTISE STRIKE
DIRECT REPLACEMENT FOR 582-2 STRIKE
DOUBLE DOOR APPLICATION
CLOSED BACK STRIKE
LHR SHOWN
(ACTUAL STRIKE DIMENSIONS)



NOTE:
ADDITIONAL CLEARANCE ON INSIDE OF DOOR MAY BE REQUIRED BECAUSE OF LARGER 7500 LOCK HOUSING AND DIFFERENT SOLENOID LOCATION ON E-7500 LOCK

NOTE:
ADDITIONAL PREPARATION WILL BE REQUIRED FOR E-7500 LOCK ON WOOD DOOR. SEE DIRECTION SHEET NO. 41731.

HANDING MORTISE LOCK

NOTE: MORTISE LOCK IS SHIPPED HANDED FOR R.H.R. DOOR (SEE FIG. 3A) AND FOR E.O., D.T., AND M.L. APPLICATION.

REVERSING PROCEDURE FOR L.H.R. DOOR (SEE FIG. 3B)

1. REMOVE TWO SCALP PLATE RETAINING SCREWS ① AND SCALP PLATE ② FROM LOCK.
2. REMOVE INSERT ③ FROM LOCK. ROTATE LATCH BOLT ④ 180°. REPLACE INSERT ③, SCALP PLATE ② AND TWO SCALP PLATE RETAINING SCREWS ①.

ADJUST FACE PLATE FOR DOOR BEVEL (SEE FIG. 3B)

1. LOOSEN TOP AND BOTTOM FACE PLATE RETAINING SCREWS ⑩. PIVOT FACE PLATE ⑨ TO MATCH BEVEL OF DOOR AND TIGHTEN TOP AND BOTTOM FACE PLATE RETAINING SCREWS ⑩.

ADJUST MORTISE LOCK FOR TRIM FUNCTION (SEE FIG. 3A & 3B)

1. FOR E.O., D.T., AND M.L. TRIM APPLICATIONS MORTISE LOCK REMAINS AS SHIPPED.
2. FOR T.P., K AND L.V. TRIM APPLICATIONS, TURN SET SCREW ⑧ CLOCKWISE UNTIL IT SEATS AND REMOVE PAN HEAD MACHINE SCREW ⑨. (SEE LABELS ON MORTISE LOCK)

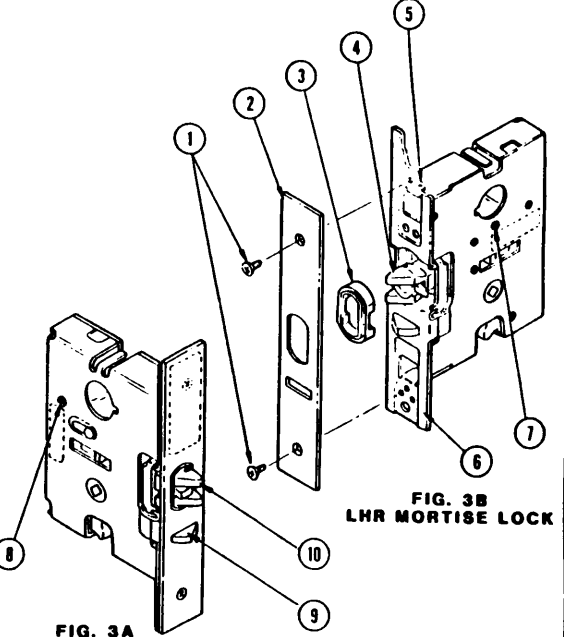


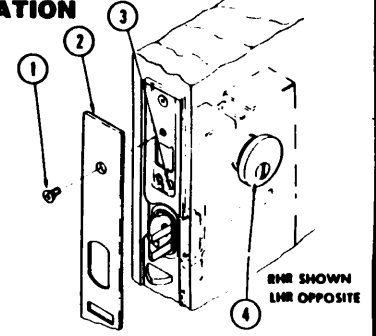
FIG. 3A RHR MORTISE LOCK

FIG. 3B LHR MORTISE LOCK

MORTISE CYLINDER INSTALLATION

NOTE: MAXIMUM MORTISE CYLINDER LENGTH IS 1 1/4" FOR 1 1/2" THICK DOOR, AND 1 3/4" FOR 2 1/4" THICK DOOR.

1. REMOVE TWO SCALP PLATE RETAINING SCREWS ① AND SCALP PLATE ② FROM LOCK.
2. BACK CYLINDER ANCHOR SCREW ③ OUT FAR ENOUGH TO CLEAR INSTALLATION OF MORTISE CYLINDER ④ BUT DO NOT REMOVE FROM THREADED BRACKET INSIDE MORTISE LOCK.
3. INSTALL MORTISE CYLINDER ④ AND TIGHTEN CYLINDER ANCHOR SCREW ③ INTO GROOVE ON SIDE OF MORTISE CYLINDER.
4. REPLACE SCALP PLATE ② AND TWO SCALP PLATE RETAINING SCREWS ①.



E-7500 OR SS-7500 MORTISE LOCK WIRING DIAGRAM

NOTES:

1. All switches shown with the lock in the closed and locked position.
2. The Aux. Bolt Monitor will switch the Red wire to the Blue wire whenever the Aux. Bolt is not depressed or the latch bolt is not dead locked.
3. The Trim Monitor Switch will indicate the locked or unlocked condition of the outside trim. When the trim is electrically or mechanically unlocked the Violet wire is switched to the Gray wire. The monitoring of the trim and lock functions are the same for the Fall Secure and Fall Safe locks.
4. A continuous current electric hinge or equivalent is required to transfer the wiring from the door to the frame.
5. All wiring should be spliced with an approved insulated connector.
6. All unused wires should be cut and insulated.
7. Switch Contact Rating - one amp, 48VDC or VAC.

