



941318-00

Special Chexit/RCM/DE5300

VON DUPRIN®

Special Instructions

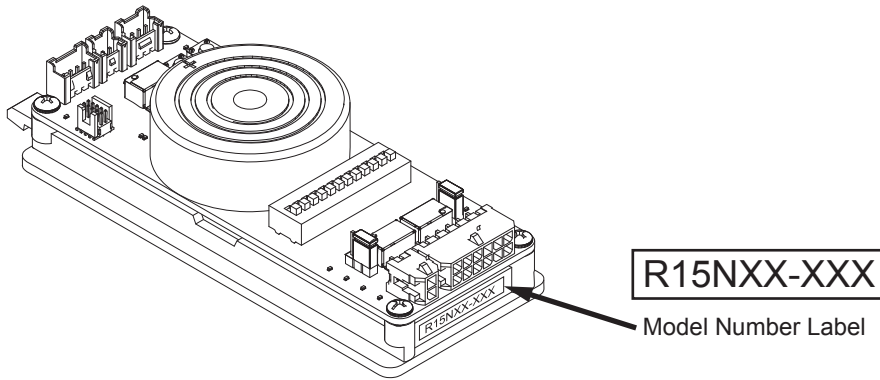
Instructions for Chexit/RCM/DE5300 Specials

Operation of the special Chexit/RCM/DE5300 models listed on this page differ from their standard Instruction booklet as noted below. Identify the special model you have, then reference the option descriptions for your specific model on the back of sheet.

⚠ WARNING ⚠

- User must have approval from AHJ to use any of these special options.

1 Locate the label and model number.

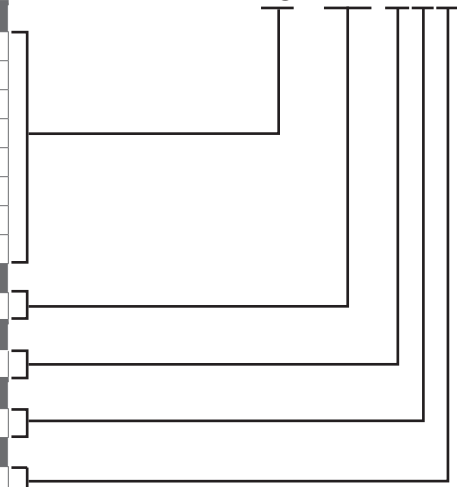


2 Match the model number to the special operation below.

Configuration Description

R15NXX-XXX

Release Delay (Seconds)									
00 = ZERO									
01	02	03	04	05	06	07	08	09	10
11	12	13	14	15	16	17	18	19	20
21	22	23	24	25	26	27	28	29	30
31	32	33	34	35	36	37	38	39	40
41	42	43	44	45	46	47	48	49	50
51	52	53	54	55	56	57	58	59	60
99 = INFINITE									
Nuisance Delay (Seconds)									
XX - Onboard	04	05	06	07	08	09	10		
Mute Option									
X - Disabled					M = Enabled				
Boca Option									
X - Disabled					B = Enabled				
Hold Option									
X - Disabled					H = Enabled				



Customer Service
1-877-671-7011 www.allegion.com/us



OPTION DESCRIPTIONS

RELEASE DELAY (SECONDS)

- The special Release Delay option is enabled if a number other than “15” is in the part number.
 - This option changes the Release Delay of 15 seconds referenced anywhere in the standard instructions to ## seconds when using this device.
- The special Release Delay is disabled if “15” is in the part number. The standard 15 second delay in the standard instructions then applies.

NUISANCE DELAY (SECONDS)

- The special Nuisance Delay option is enabled if “##” is in the part number.
 - This special configuration changes the Nuisance Delay referenced anywhere in the standard instructions to ## seconds. The Nuisance Delay switches will not work to select a different nuisance time. The Nuisance Delay is part of the Release Delay (ex. if the Release Delay is 15 seconds and the Nuisance Delay is 5 seconds, after the Nuisance Delay expires, the door will unlock in 10 seconds).
- The special Nuisance Delay is disabled if “XX” is in the part number. The standard instructions then apply to this option.

MUTE OPTION

- The Mute option is enabled if “M” is in the part number.
 - If enabled, the internal alarm is completely silenced in all product operation. The alarm relay still functions normally.
- The Mute option is disabled if “X” is in the part number. The standard instructions then apply to this option.

BOCA OPTION (BOCA OPTION ONLY APPLICABLE IN UNITED STATES)

- The Boca option is enabled if “B” is in the part number.
 - This special conforms to the 1999 Boca code. The function is the same as in the standard instructions EXCEPT:
 - After the Release Delay has expired AND if the door did not open, the internal alarm will sound until manually reset.
 - After the Release Delay has expired AND if the door has been opened and closed, the device will reset to the armed mode in 30 seconds. If the door is opened and closed again within that 30 second reset delay, the 30 second delay will be restarted again.
- The Boca option is disabled if “X” is in the part number. The standard instructions then apply to how to reset the device.

HOLD OPTION

- The Hold option is enabled if “H” is in the part number.
 - If during a Release Delay before the Release Delay expires, the inhibit is activated, the release is cancelled (device will not unlock), internal alarm is silenced, status LED is still fast flashing and alarm relay is still on. If the inhibit is now deactivated, the device releases immediately, internal alarm sounds and status LED and alarm relay stay the same. If the inhibit is activated then deactivated at this time, it will act as a normal inhibit and reset the device.
- The Hold option is disabled if “X” is in the part number. The standard instructions then apply to the function of the inhibit input.