



24244105

NOTE TO OWNER

This product to be installed in accordance with NFPA101 Life Safety Code requirements.

⚠ WARNING

The signal switch inside the device is pre-set at the factory. Tampering with this switch can cause the basic exit features of this device to fail in an emergency.

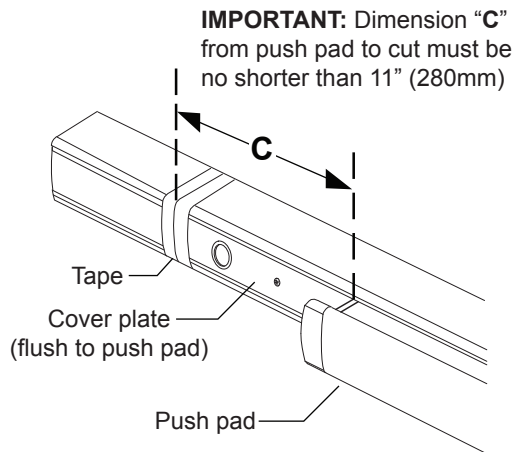
⚠ CAUTION

There are no user serviceable parts in the electronic module or in the delay mechanism. Consult factory for replacement of these components.

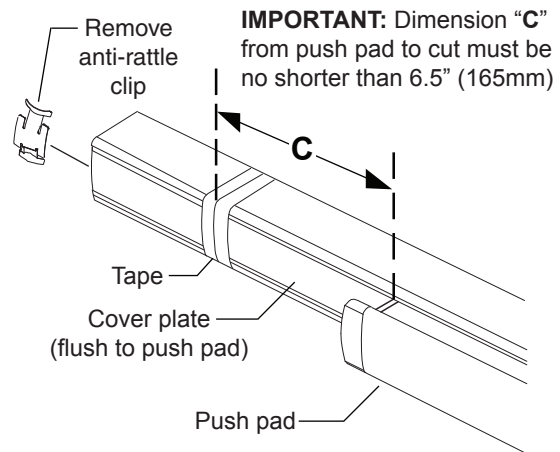
ATTENTION!

1. The electronic delay module is packed in a separate box and must be installed by a certified electrician.
2. Check door size carefully before cutting device and cover. See below. These cutoff lengths apply to both 3' and 4' device lengths.

Chexit Device



RCM Device



3. Device should be tested periodically for proper function.

IMPORTANT!

When cutting:

- Either remove the key switch assembly or tape the key switch cable out of the way
- Make sure no metal particles get inside the device
- Cut the end square so the end cap will fit properly
- Deburr around the cut area when cut complete