



941363-00

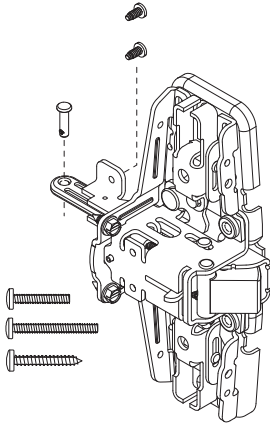
Center Case Retrofit / Replacement

(AX) 98/99-2, (AX) 98/99-2SI,  
(AX) XP99-2, (AX) XP99-2SI

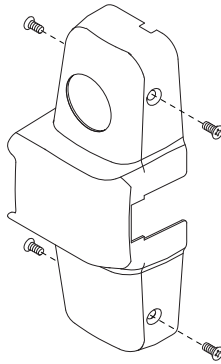
**VON DUPRIN**

Installation Instructions

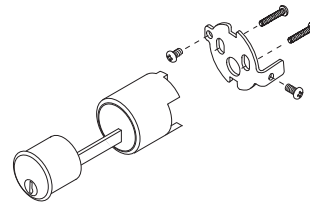
**The parts shown below are included with (AX) 98/99 kits:**



Center case,  
mounting screws,  
pin, and retaining ring

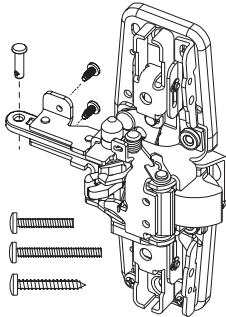


Center case  
cover and  
screws

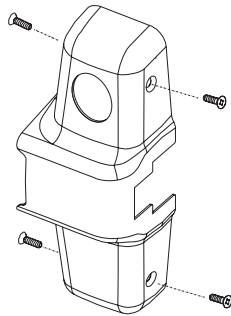


Cylinder pack  
and  
screws

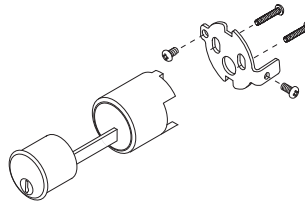
**The parts shown below are included with (AX) XP98/99 kits:**



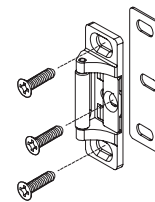
Center case,  
mounting screws,  
pin, and retaining ring



Center case  
cover and  
screws



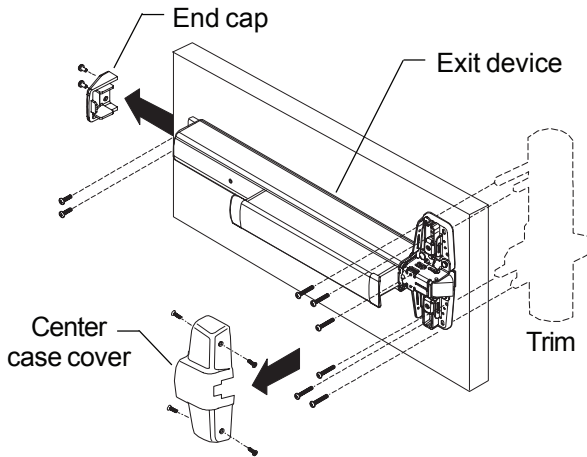
Cylinder pack  
and  
screws



909 strike package

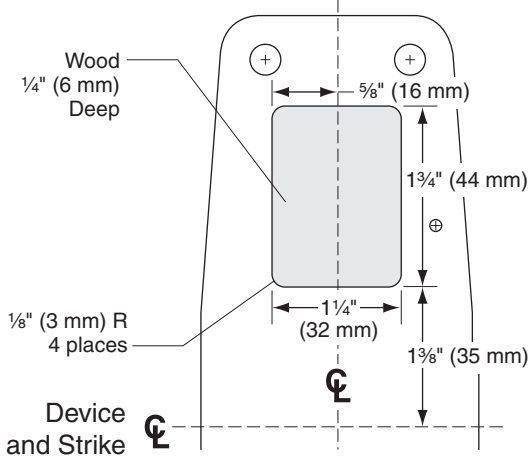
**1** Remove existing exit device from door.

**Note: Disconnect device wiring if necessary.**

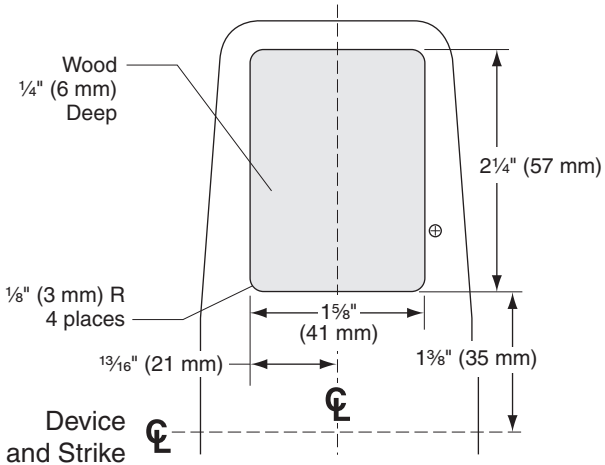


**2** Prepare door if necessary.

**Door Cutout for XP98/99-2 or 98/99-2  
"Double Cylinder" Option**

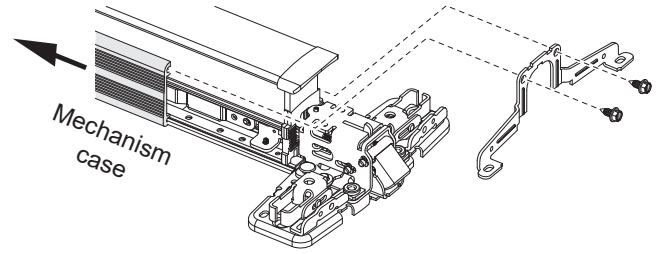


**Door Cutout for XP98/99-2SI or 98/99-2SI  
"Double Cylinder" Option**

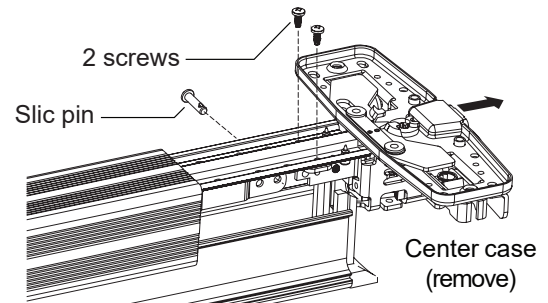


**3** Remove old center case.

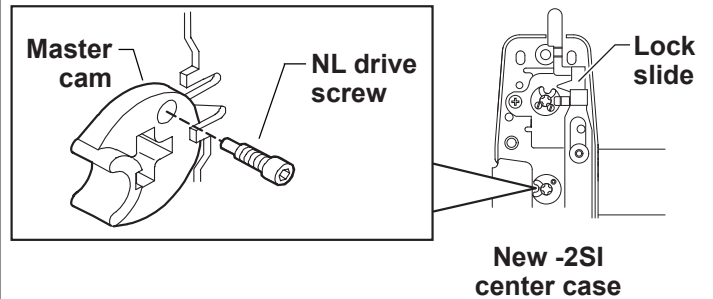
**A.** Slide mechanism case back approximately 5".



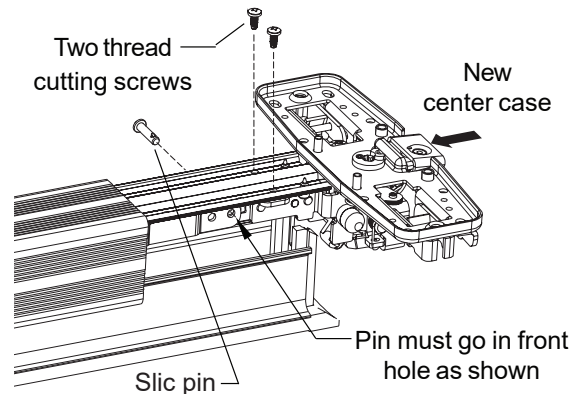
**B.** Remove slic pin and two screws to remove old center case.



**4** Leave the NL Drive Screw in master cam as shipped in new center case.



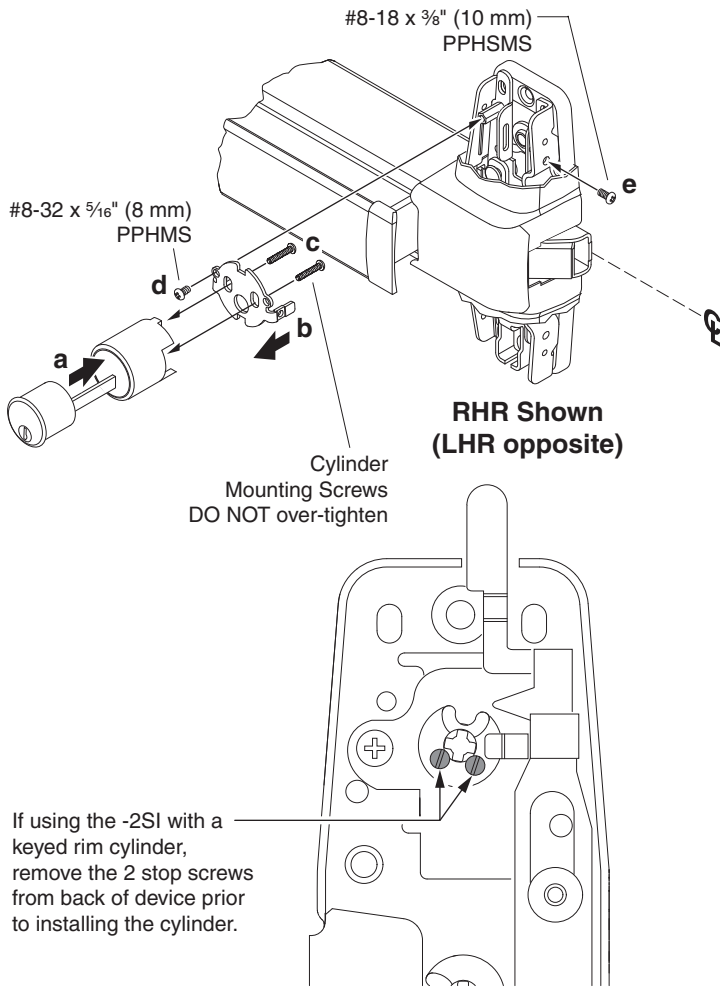
**5** Attach new center case to device as shown.




**WARNING**

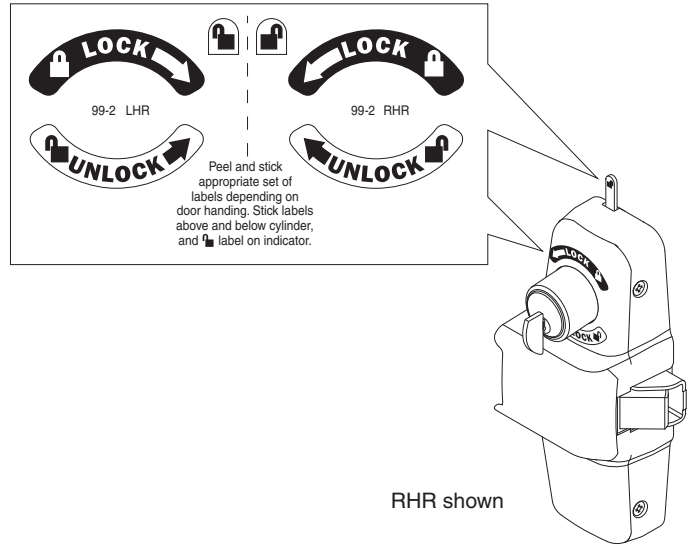
New slic pin must be installed securely. If pin comes out, door will not open properly.

## 6 Mount key cylinder.



## 7 Apply label.

For 98/99-2SI models with Classroom Security Indicator, apply supplied labels above and below cylinder to match door handing, and  label on indicator.

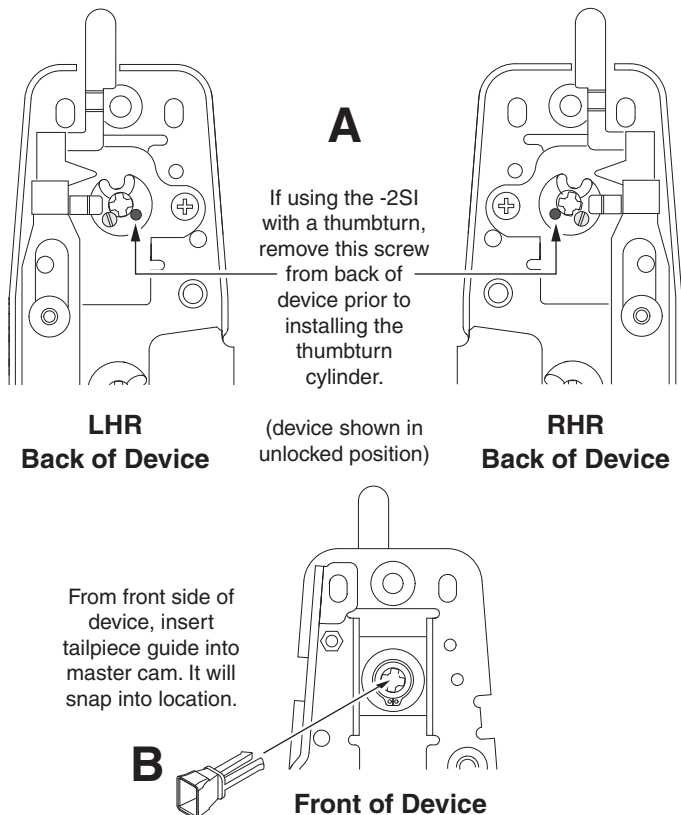
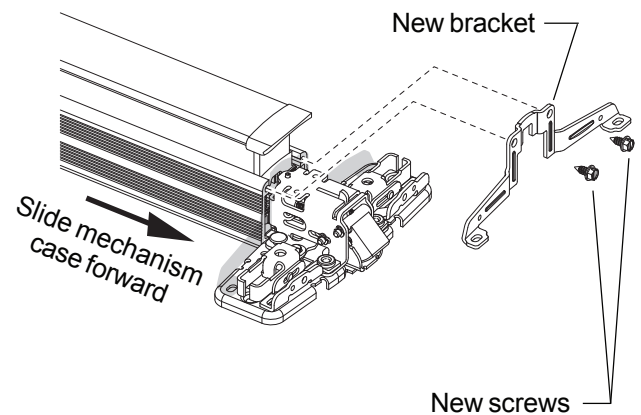


### ⓘ Manually affix the label:

Ensure surface is clean of dirt, dust, or oils. Clean with alcohol if necessary.

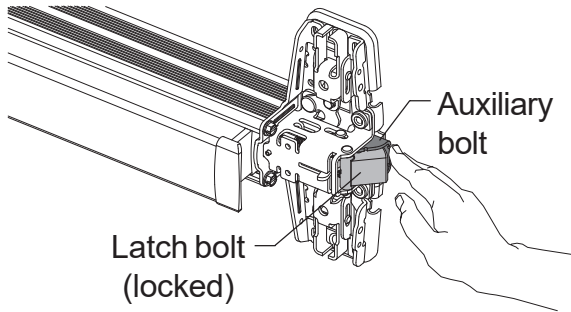
Peel the label from the paper backing and apply to the surface. Minimize handling when applying and use pressure to burnish label to surface. The adhesive will require up to 8 hours to achieve the proper bond.

## 8 Slide mechanism case forward and install bracket.

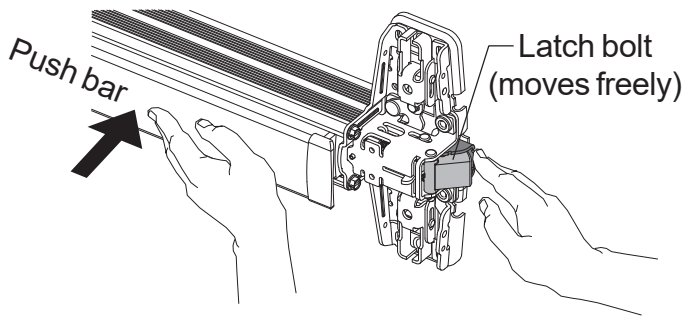


**9** Check latch function as shown.

- A.** Depress auxiliary bolt and check latch bolt. Latch bolt should be locked and will not move while auxiliary bolt is depressed.



- B.** With auxiliary bolt still depressed, press and hold device push bar. Press latch bolt from top and bottom. It should depress freely in both directions.

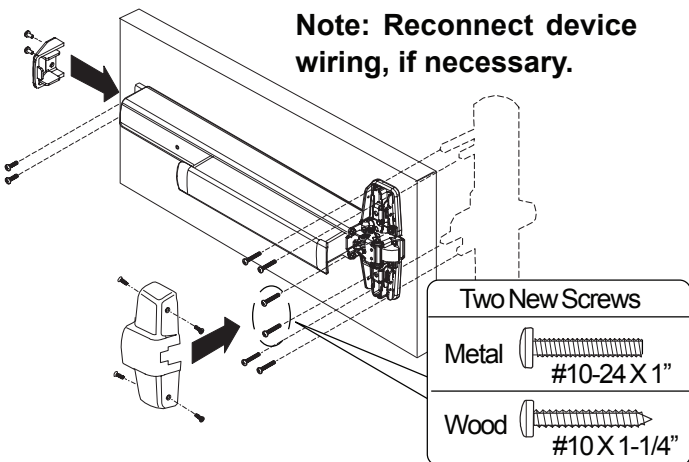


**Note about the XP latch operation**

The XP latchbolt operates differently from a standard latchbolt. When the pushbar is depressed, the latchbolt does not retract. This is normal because the XP latchbolt can swivel in both directions.



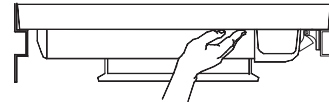
**10** Reinstall device.



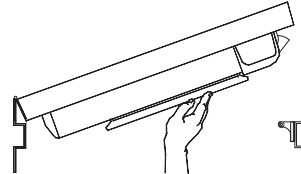
**11** Perform operational check.

**Important!**

- A.** With door closed, push against door without touching device. Device should **NOT** allow door to open.



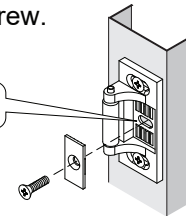
- B.** With door closed, push device push bar. Device should allow door to open.



- C.** If device does not function as described, adjust strike position and continue operational check until device functions as described above.

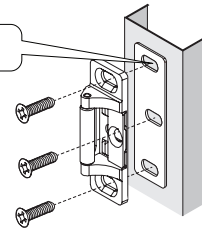
- D.** Install strike support screw.

#25 Drill, #10-24 tap



**299 Strike**

#7 Drill, 1/4"-20 tap



**909 Strike for XP Product**

**Customer Service**

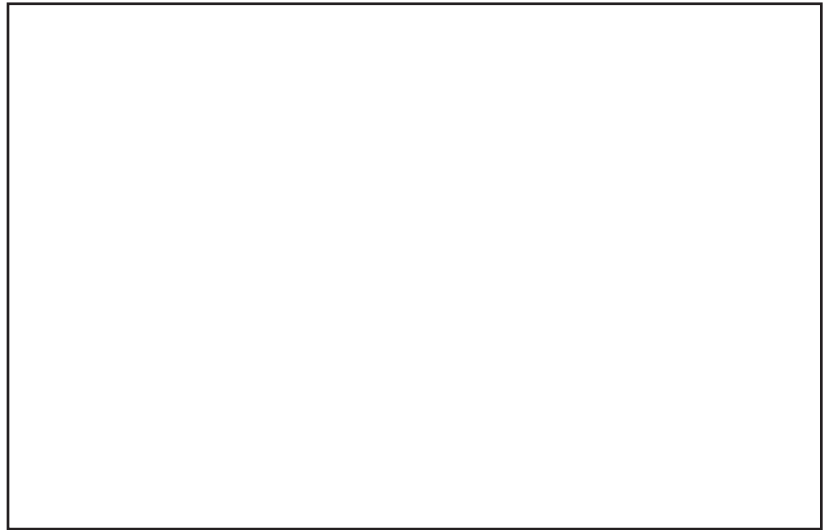
1-877-671-7011

www.allegion.com/us



© Allegion 2020  
Printed in U.S.A.  
941363-00 Rev. 10/20-d

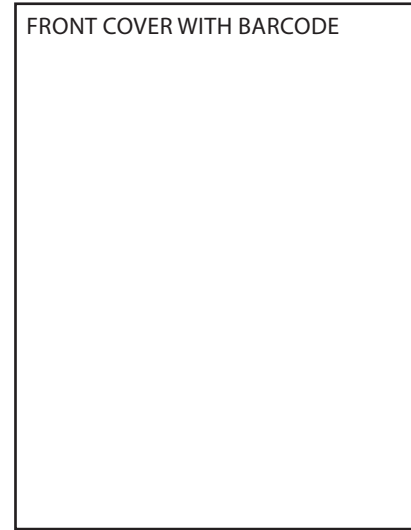
17.000



11.000

BEGINNING SHEET

8.500



11.000

FOLDED SHEET

Additional Notes:
1. None

Revision History						Revision Description: D > Revised document				
A	B	C	D	E	F	Edited By		Approved By	EC Number	Release Date
58294	58807	61680	65544			J. Ellis		M. Roberts	65544	10-22-20
Material White Paper						Title 99-2/2-SI Center case retrofit/replacement instruction				
Notes 1. printed two sides on 11x17 sheet 2. printed black 3. folded into 8.5x11 4-page booklet 4. tolerance ± .13 5. printed in country may vary 6. drawings not to scale						Creation Date xx-xx-xx		Number 941363-00		Revision D
						Created By J. Ellis		Activity 3899 Hancock Expwy Security, CO 80911		© Allegion 2020
						Software: InDesign CS6				