



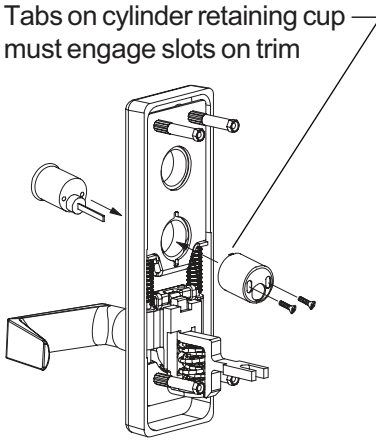
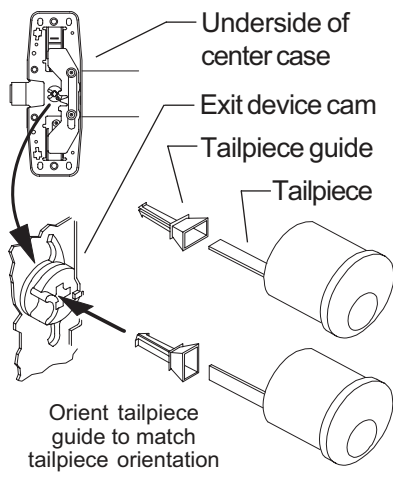
921003-00

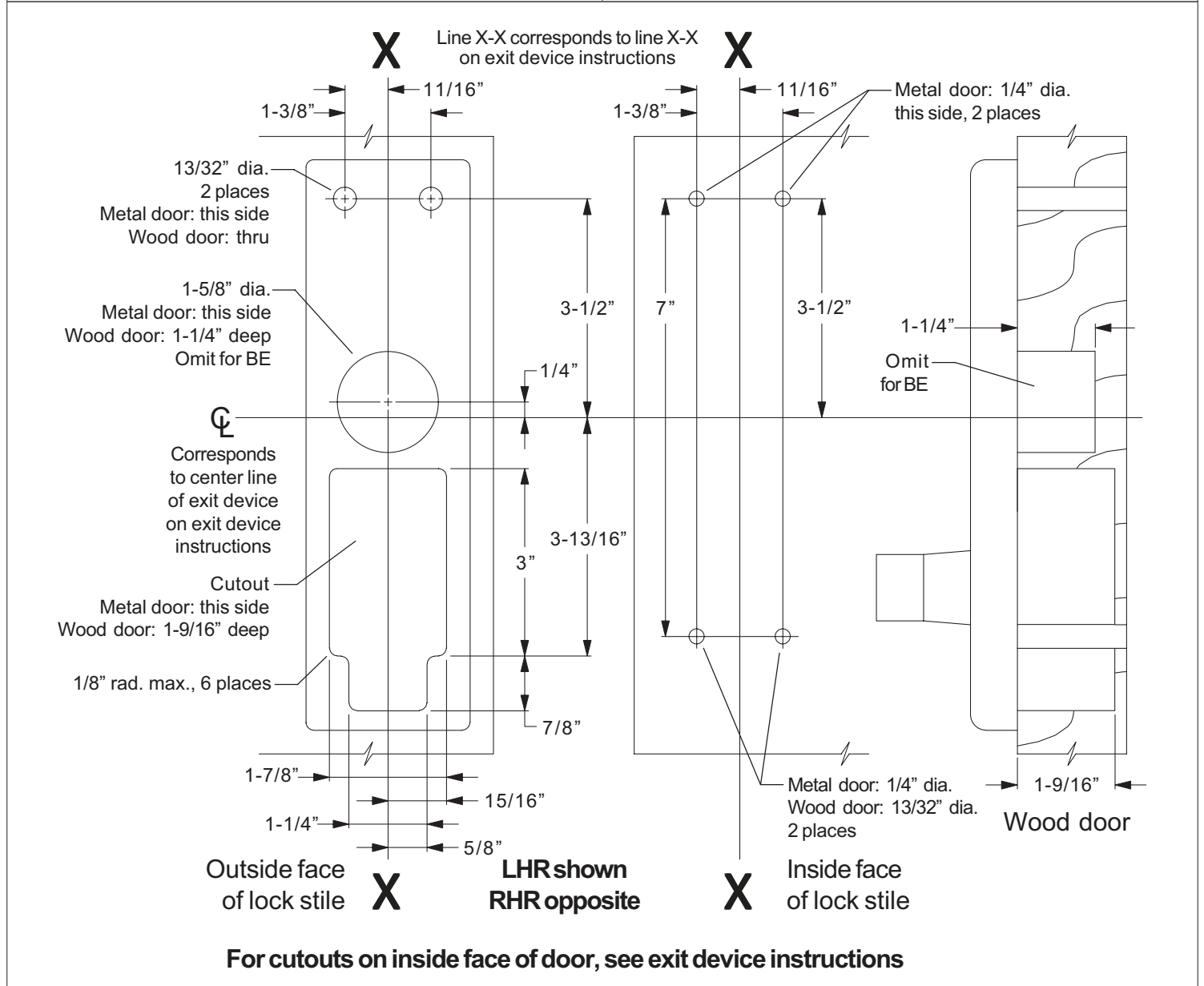
994/996L/L-BE

VON DUPRIN®

Breakaway™ Trim For Panic and Fire
98/99 Series Rim and Vertical Rod Exit Devices

Installation Instructions

<p>1 Prepare door for exit device.</p> <p>See exit device instructions for holes, backset (line X-X), and center lines.</p>	<p>4 Place trim on door and cut cylinder tailpiece so it projects 7/16" to 9/16" out of exit device side of door.</p>
<p>2 Prepare door for trim:</p> <p>2a Transfer line X-X from inside (exit device) side of door to outside (trim side) of door. Use extra care if edge of door is beveled. Be sure line X-X is parallel to edge of door.</p> <p>2b Locate and prepare all holes as shown.</p>	<p>5 Adjust exit device cam for trim function (see sticker attached to trim).</p> <p>6 For L function trim only, install tailpiece guide in exit device cam.</p>
<p>3 Prepare trim: If necessary, change handing (see other side).</p> <p>For L function trim only, install cylinder.</p> <p>Tabs on cylinder retaining cup must engage slots on trim</p> 	 <p>7 Install exit device and trim.</p> <p>Use 1-3/8" screws for 1-3/4" door, 1-7/8" screws for 2" and 2-1/4" door (cut down screws for 2" door if necessary).</p>



To Change Lever Handing

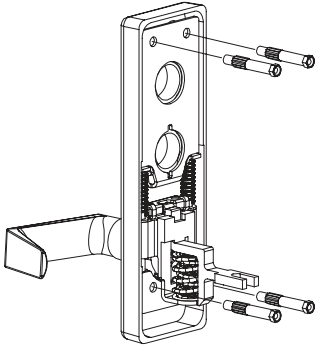
CAUTION

Do not remove springs from slider.

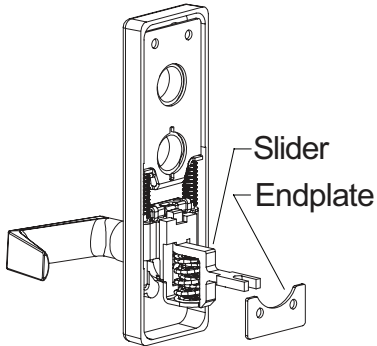
NOTE

Lever cannot be broken down unless trim is mounted on door and device is locked.

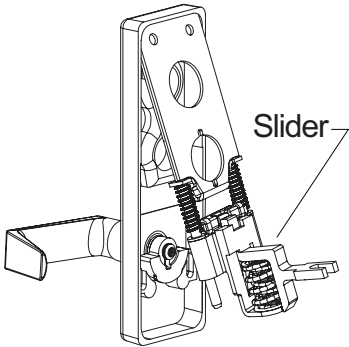
1 Remove four mounting studs.



2 Remove endplate from under slider.



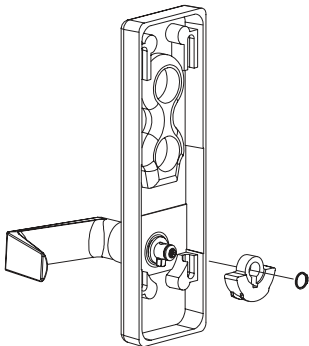
3 Push up on slider and pivot out to remove guide post assembly.



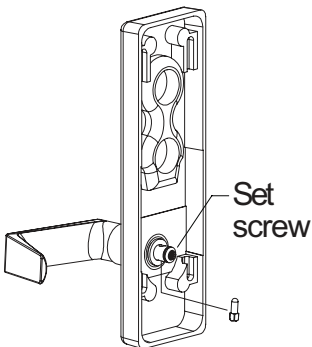
CAUTION

In Step 3, make sure to keep loose components on guide post assembly.

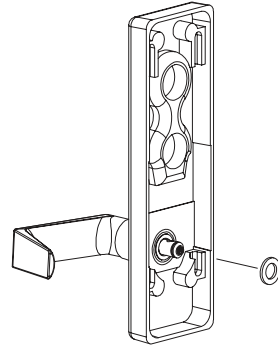
4 Use retaining pliers to remove retaining ring. Remove cam.



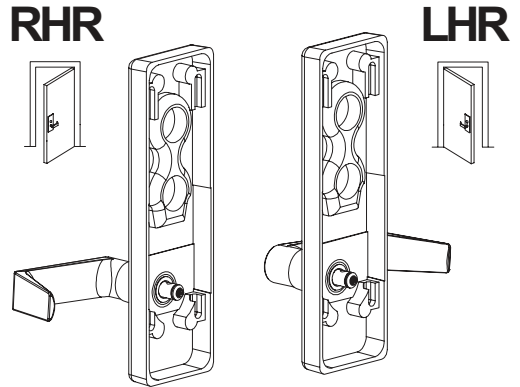
5 Use 3/32" hex wrench to loosen set screw. Remove shear pin.



6 Remove spacer.



7 Place lever in RHR or LHR position.

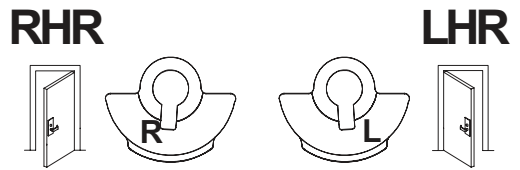


8 Re-install spacer (see Step 6).

9 Re-install shear pin with head pointed down (see Step 5).

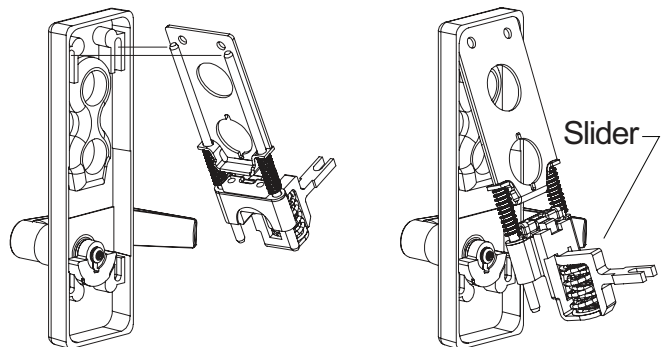
10 Pull lever outwards to align shear pin head with spacer.

11 Re-install cam with "L" visible for LHR or "R" visible for RHR (see Step 4), then tighten set screw (see Step 5).



12 Re-install retaining ring (see Step 4).

13 Make sure lever is in horizontal position, then re-install guide post assembly.



Tilt guide post assembly and insert tops of rods into slots

Push up on slider and pivot assembly in

14 Re-install end plate (see Step 2) and four mounting studs (see Step 1).

ⓘ Do not over-tighten studs.

Customer Service

1-877-671-7011

www.allegion.com



© Allegion 2014
Printed in U.S.A.
921003-00 Rev. 01/14-c