



921001-00

Trim Lever Cam Kit

992L/L-BE

VON DUPRIN®

Installation Instructions

RK2-1

Lever Trim Upgrade

1. Remove the two lift springs and discard.
2. Push up on the slider assembly and remove it.
3. Remove the retaining ring from the end of the shaft and discard.
4. Pull the cam off of the shaft and discard.
5. Remove the shear pin and discard.
6. Remove the two button head screws from slider assembly. Separate the slider, hole shim, and yoke. Do **not** discard the button head screws.
7. Replace the offset hole shim with the centered hole shim and reassemble the slider assembly.
8. Place the lever in the desired position (LHR or RHR).
9. Insert the new shear pin with the square head pointed down. Use black shear pin for 3/16" dia. hole; use yellow shear pin for 5/32" dia. hole.
10. Rotate the lever 90 degrees so it points straight down and drop the new cam over the shaft with the letter "L" visible for LHR or the letter "R" visible for RHR.
11. Install the supplied shims as required to reduce axial lever looseness.
12. Install the new retaining ring onto the shaft.
13. Rotate the lever to the horizontal position and install the slider assembly using the new lift springs supplied.

R & V Finger Length Adjustment

The R & V finger length must be set to the alignment mark that matches the door thickness. To adjust R & V finger length (Figure 1):

1. Use a 1/8" hex wrench to loosen the set screw on the slider assembly.
2. Slide the R & V finger in or out as necessary to align the appropriate mark with the surface indicated.
3. Tighten the set screw.

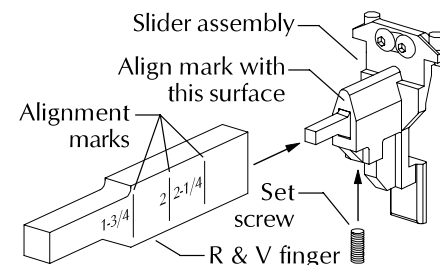
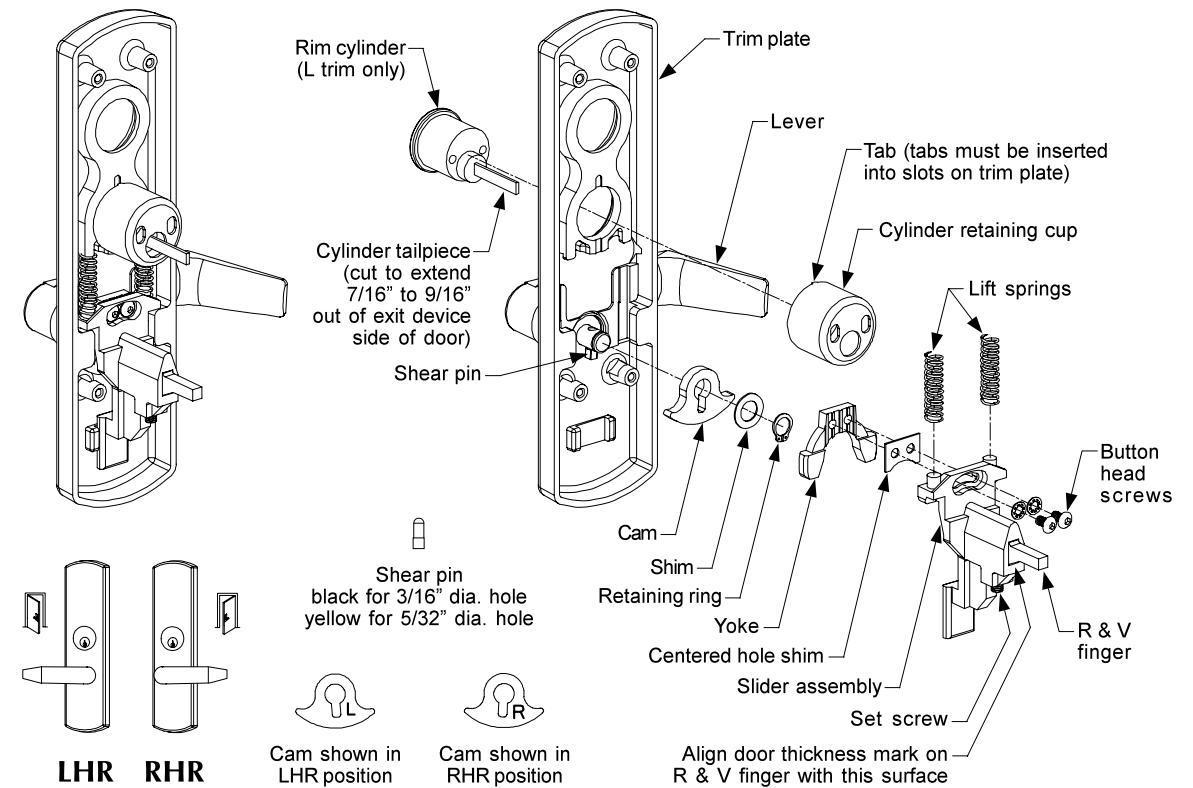


Figure 1

NOTE

If the R & V finger slightly actuates the device and prevents deadlatching, loosen the set screw on the underside of the slider assembly. Remove the R & V finger, turn it over, re-install it, and tighten the set screw.

Customer Service
 1-877-671-7011 www.allegion.com/us



© Allegion 2014
Printed in U.S.A.
921001-00 Rev. 01/14-b

RK2-2

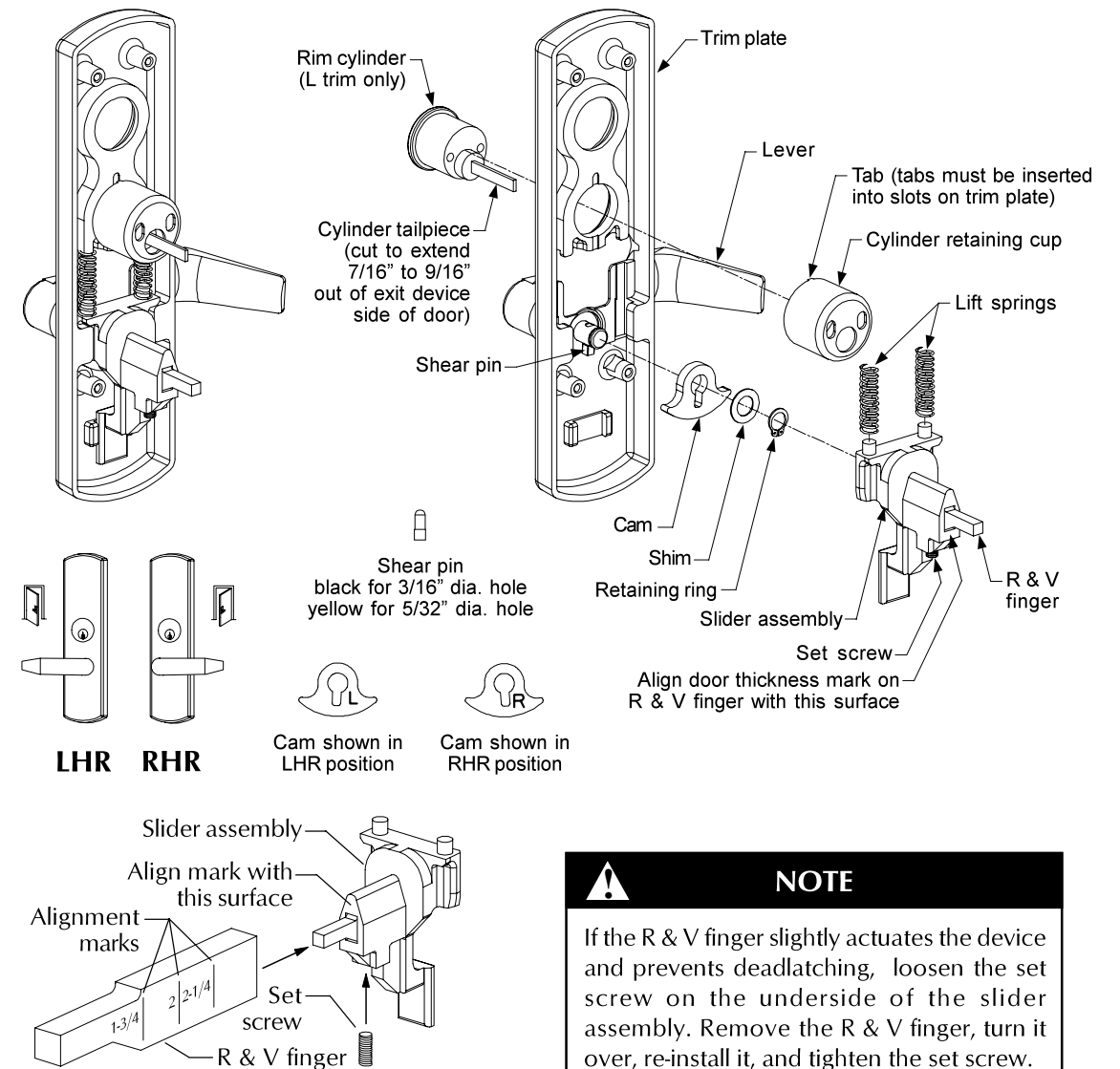
Lever Trim Upgrade

1. Remove the two lift springs and discard.
2. Push up on the slider assembly and remove it.
3. Remove the set screw and the R & V finger from the slider assembly. Keep the set screw and the R & V finger and discard the slider assembly.
4. Remove the retaining ring from the end of the shaft and discard.
5. Pull the cam off of the shaft and discard.
6. Remove the shear pin and discard.
7. Place the lever in the desired position (LHR or RHR).
8. Insert the new shear pin with the square head pointed down. Use black shear pin for 3/16" dia. hole; use yellow shear pin for 5/32" dia. hole.
9. Rotate the lever 90 degrees so it points straight down and drop the new cam over the shaft with the letter "L" visible for LHR or the letter "R" visible for RHR.
10. Install the supplied shims as required to reduce axial lever looseness.
11. Install the new retaining ring onto the shaft.
12. Install the old R & V finger and set screw on the new slider assembly. When installing the R & V finger, align the door thickness mark on the R & V finger with the edge of the slider assembly.
13. Rotate the lever to the horizontal position and install the slider assembly using the new lift springs supplied.

R & V Finger Length Adjustment

The R & V finger length must be set to the alignment mark that matches the door thickness. To adjust R & V finger length (Figure 1):

1. Use a 1/8" hex wrench to loosen the set screw on the slider assembly.
2. Slide the R & V finger in or out as necessary to align the appropriate mark with the surface indicated.
3. Tighten the set screw.



NOTE
If the R & V finger slightly actuates the device and prevents deadlatching, loosen the set screw on the underside of the slider assembly. Remove the R & V finger, turn it over, re-install it, and tighten the set screw.