



911377-00

98/9947WDC

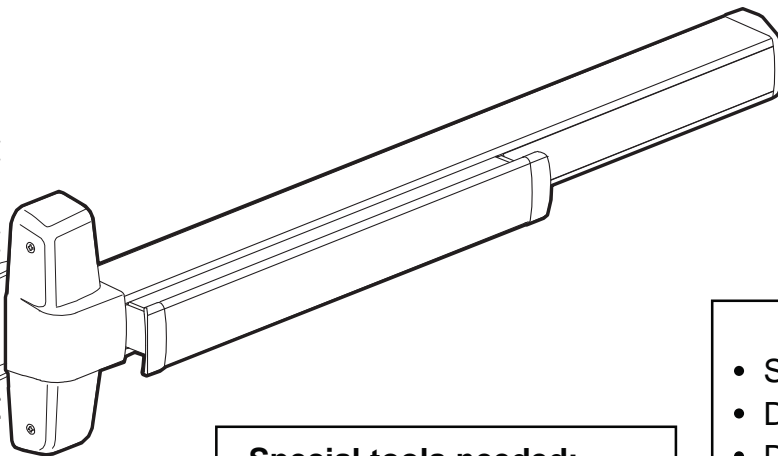
VON DUPRIN®

Concealed Vertical Rod Exit Device for Wood Door Applications

Installation Instructions



Devices covered by these instructions:
 98/9947WDC Concealed Vertical Rod Device
 98/9947WDC-F (Fire) Concealed Vertical Rod Device
 CD98/9947WDC (Cylinder Dogging) Concealed Vertical Rod Device
 EL98/9947WDC (Electric Latch Retraction) Concealed Vertical Rod Device


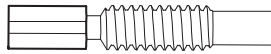
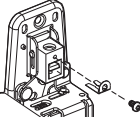
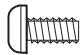
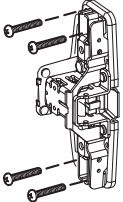
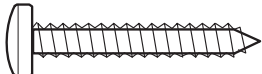
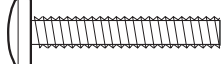
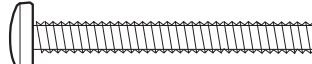

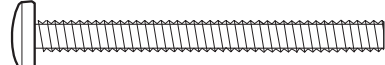
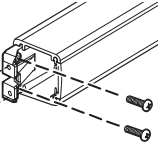
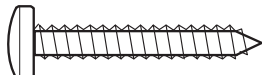
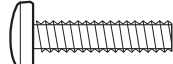
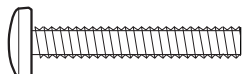

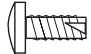
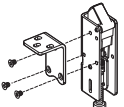

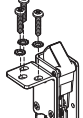
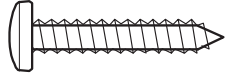
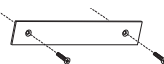
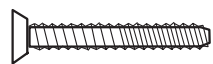
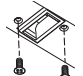
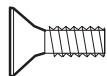

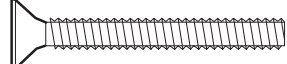
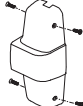
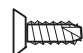


Special tools needed:
 5/64" hex wrench
 #10-24 tap
 Drill bits: #25, 1/8", 1/4",
 5/16", 13/32"

Index:	
• Screw chart	2
• Device installation	3-5
• Door preparation chart	6
• Door routing instructions	7
• Frame preparation chart	8
• Adjust rods	9
• Optional equipment.....	10
• Cut device	11

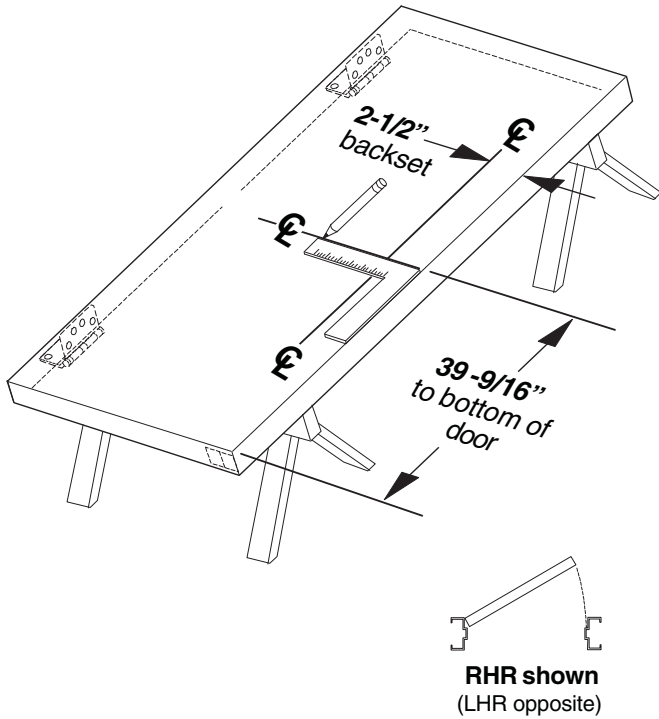
Please give these instructions to building owner after device is installed

SCREW CHART

A			Rod adjustment screw
B		 #8-32 X 5/16"	Rod locking screw
C		 #10 X 1-1/4" Wood screw  #10-24 X 1"  #10-24 X 1-1/2" <hr/> - Packaged with trim -  #10-24 X 1-3/8"  #10-24 X 1-7/8"	Surface mount (WDC) Sexbolts (1-3/4" door) Sexbolts (2-1/4" door) 990 trims (1-3/4" door) 990 trims (2-1/4" door)
D		 #10 X 1-1/4" Wood screw  #10-24 X 3/4"  #10-24 X 1-1/8"	Surface mount (WDC) Sex bolts (1-3/4" door) Sex bolts (2-1/4" door)
E		 #10-16 X 3/8" Thread cutting	End cap screw
F		 #10-32 X 1/4"	Bracket screw
G		 #10 X 1" Wood screw	Bracket to door screw
H		 #8-16 X 8-32 X 1"	Cover plate screw
I		 #10-24 X 1/2"	338 strike screw
J		 #10-24 X 1-1/2"	Ratchet release screw
K		 #8-18 X 3/8" Thread cutting	Center case cover screw

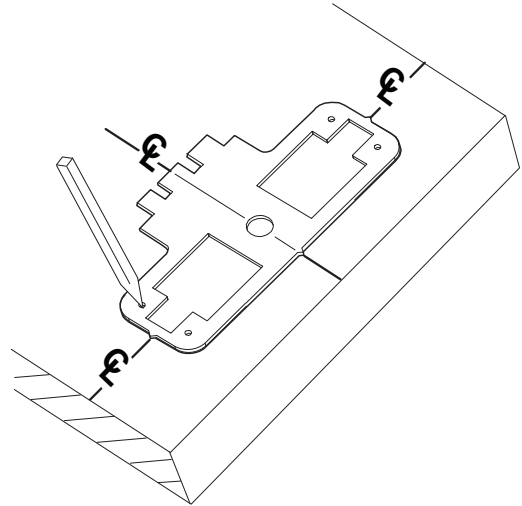
1

Draw horizontal and vertical device center lines (C).



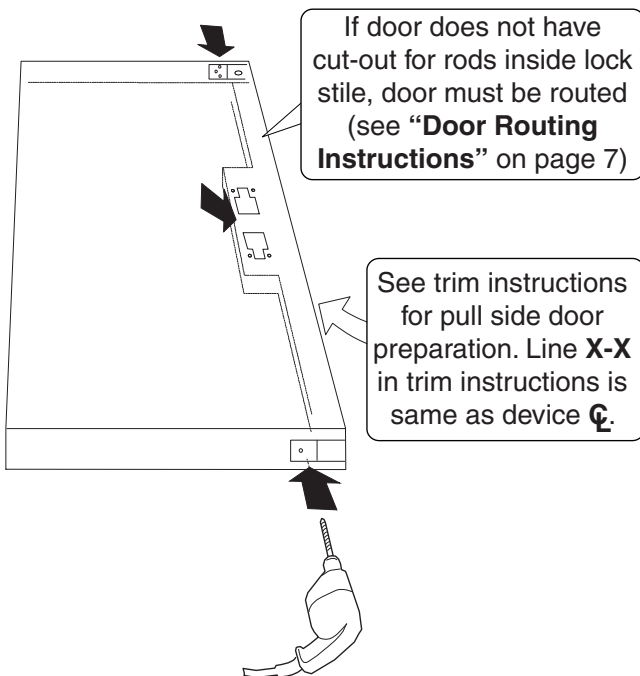
2

Align template along center lines and mark holes and cut-outs.



3

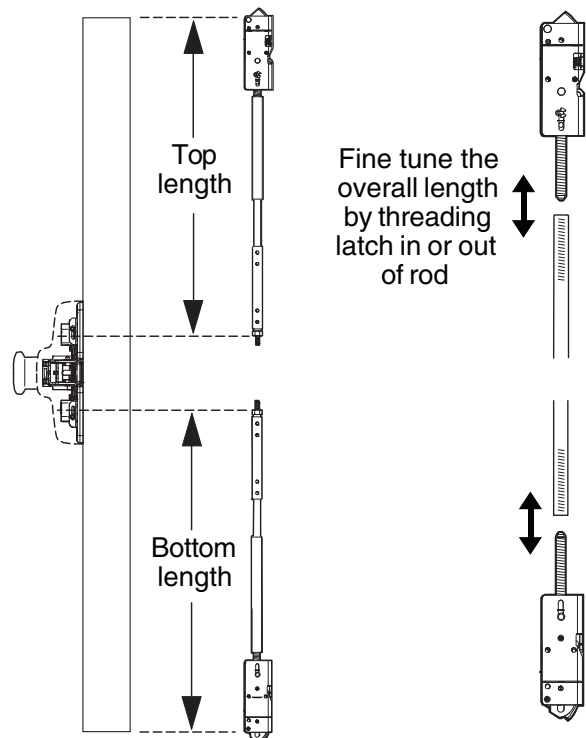
Prepare door per preparation chart on page 6.



4

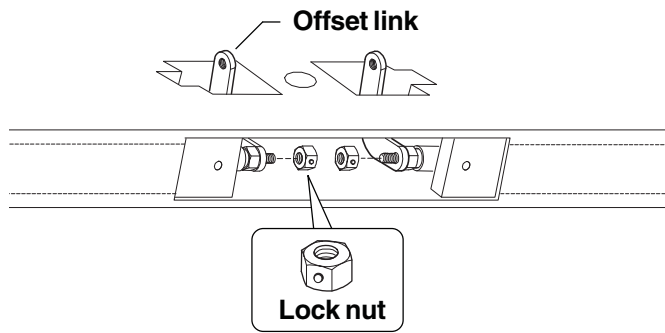
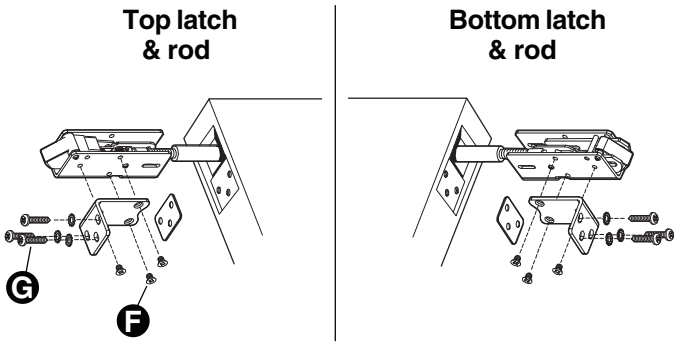
Assemble rods and latches and adjust length for proper door height.

Follow red and blue instruction cards on rods to set initial rod length



5

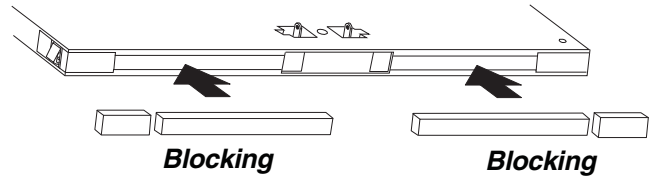
Secure latches and rods into door as shown and attach offset links.



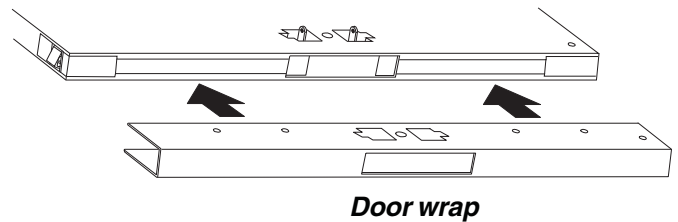
6

Install blocking and door wrap (if using door wrap).

NOTE: If not using door wrap, the blocking can be installed after device is installed.



See page 7 for blocking dimensions

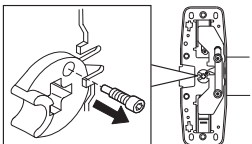


Optional- to be used on fire doors only, not supplied by Von Duprin

7

If using an outside cylinder, check NL drive screw and install tailpiece guide.

NL drive screw

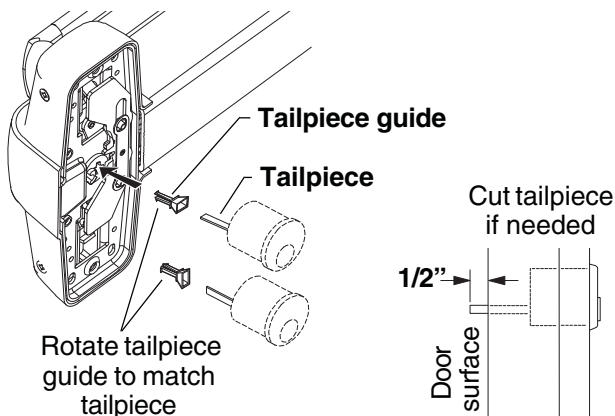


Note: When the NL drive screw is left in back of device, the outside cylinder will function only as a Night Latch.

When installing trim that has a functional lever, knob, or thumb piece AND an outside cylinder to lock and unlock the trim, remove NL drive screw from back of device.

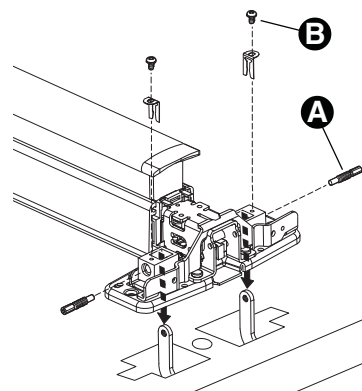
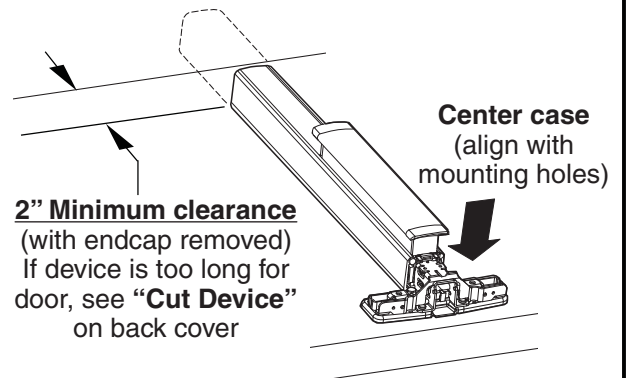
DO NOT remove NL drive screw for the following trims: **NL, EO, DT, TP-2, L-2, and K-2.**

With "BE" trim, device may need rehanded. Look for instructions on back of trim.



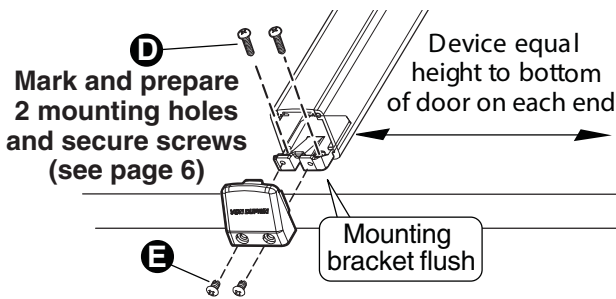
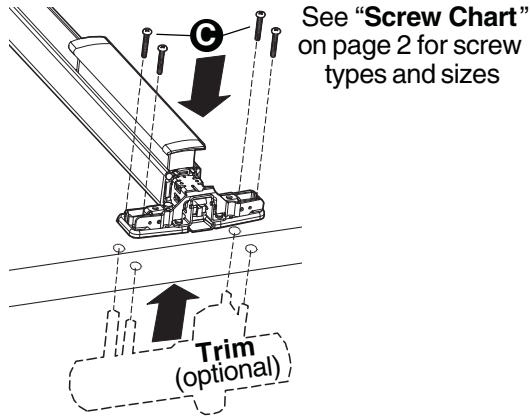
8

Check device length and attach device center case to two offset links as shown.



9

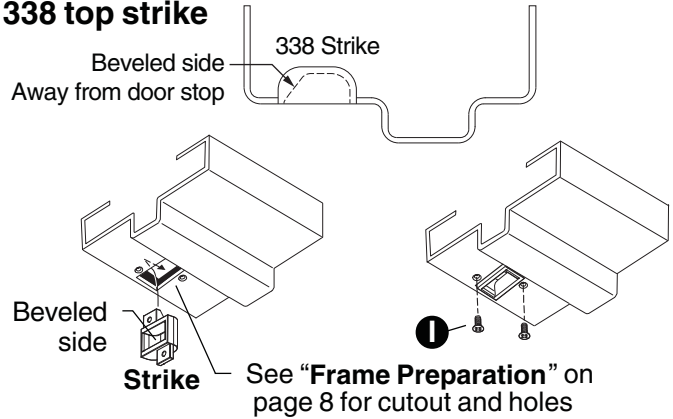
Secure device to door.



10

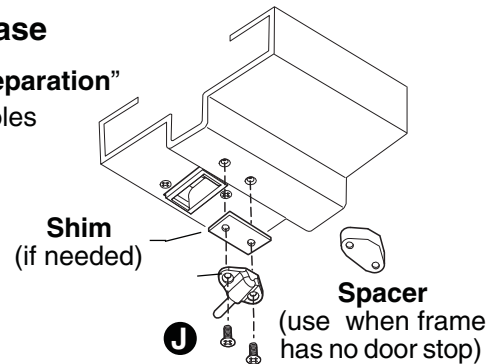
Hang door on frame and install top strike and ratchet release.

338 top strike



Ratchet release

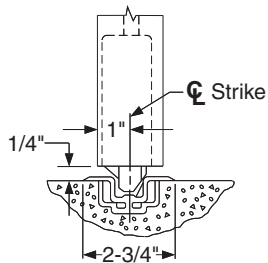
See "Frame Preparation" on page 8 for holes



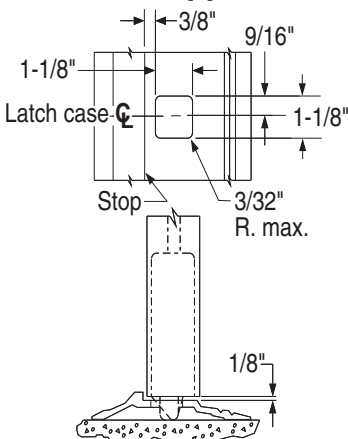
11

Install bottom strike or prepare threshold.

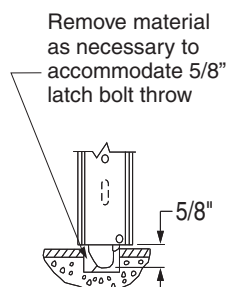
385-A Bottom strike



Threshold application



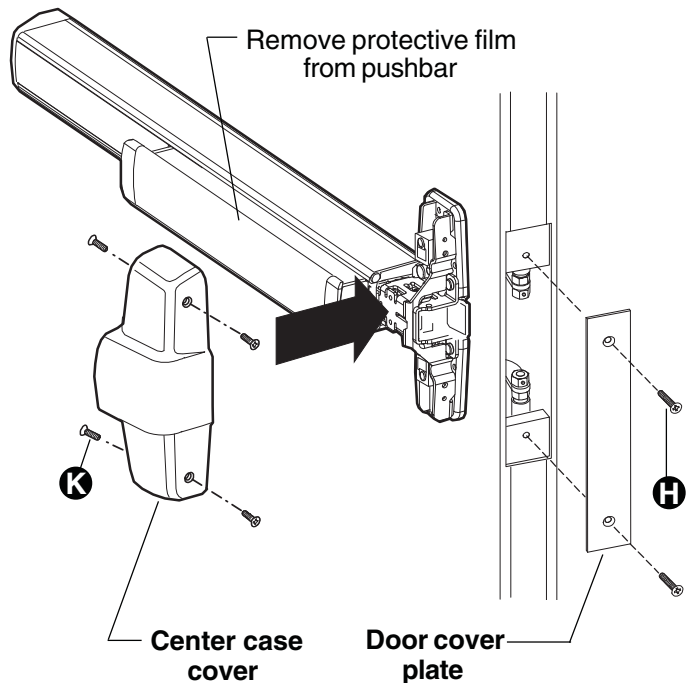
Flat threshold application



12

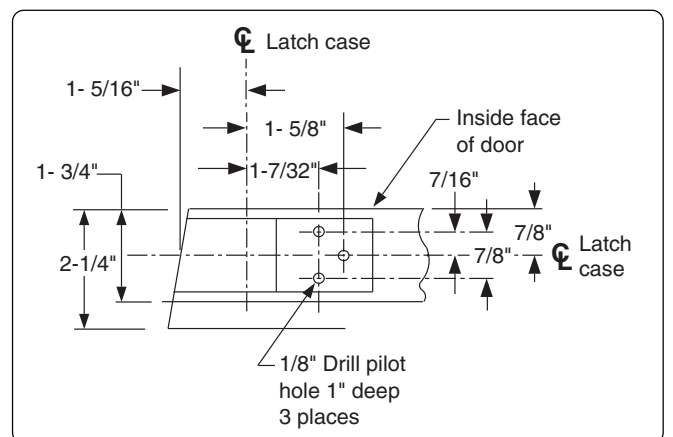
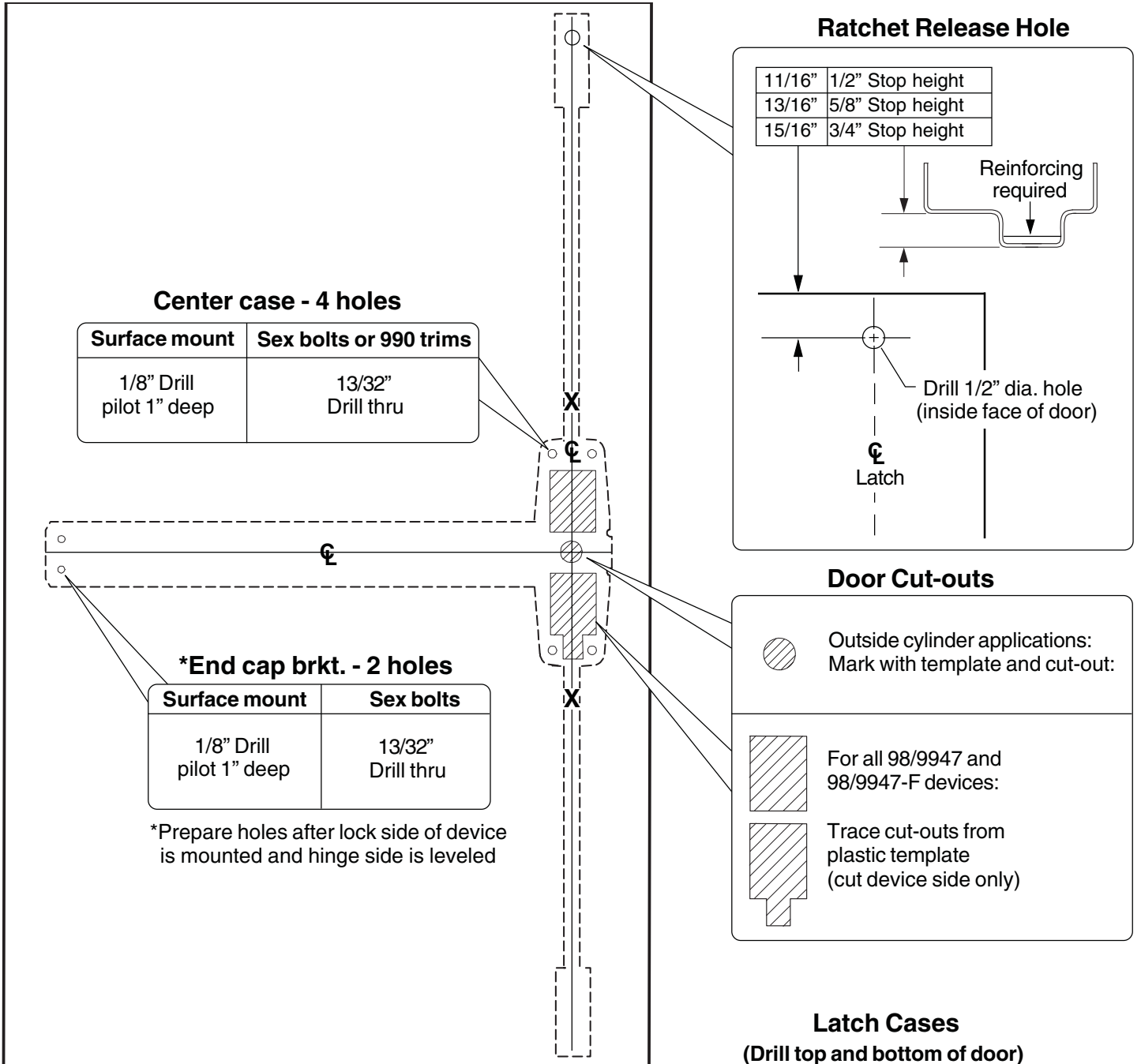
Adjust rods and install center case cover and door cover plate.

See "Adjust Rods" on page 9 for adjustment procedure

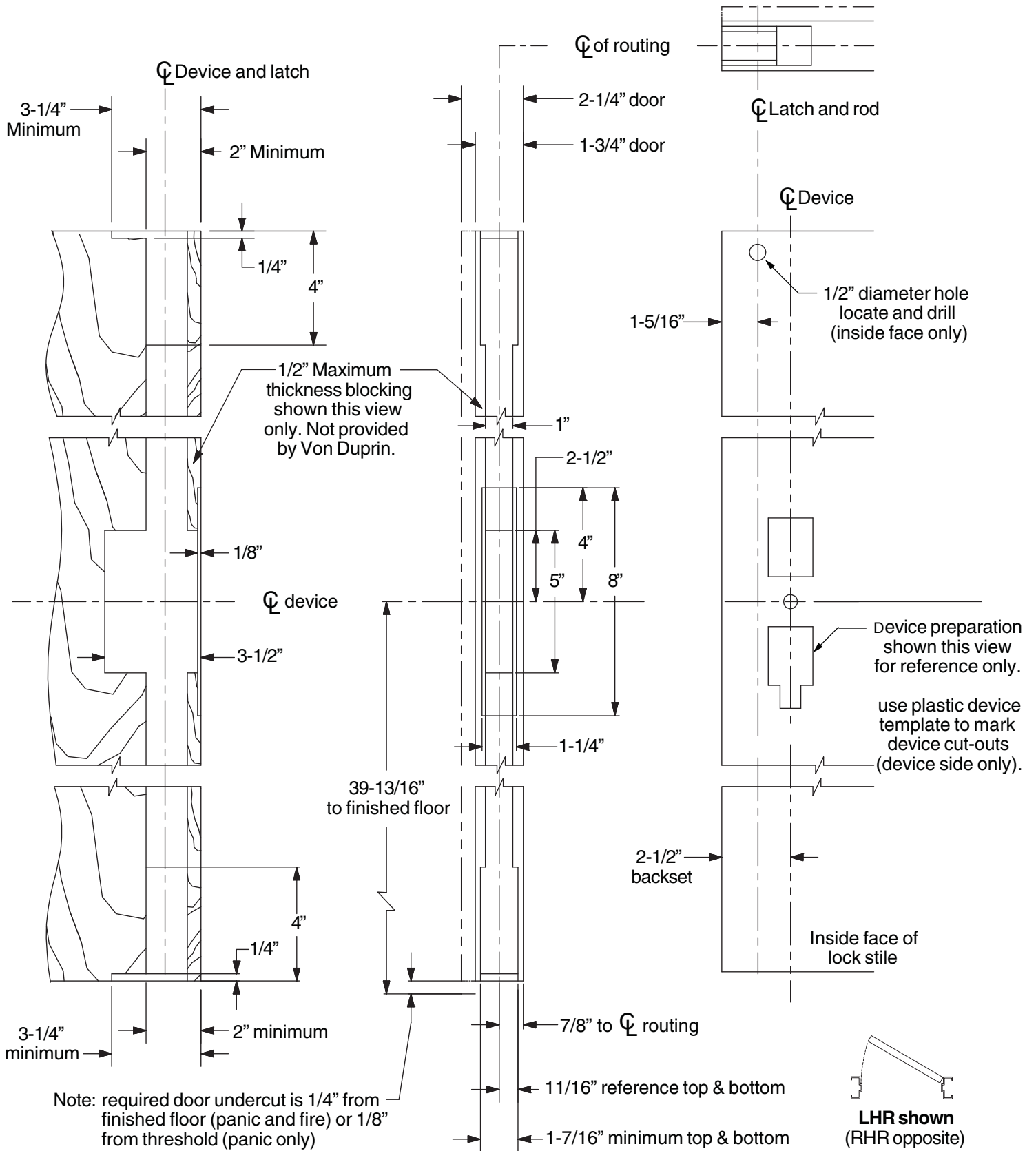


DOOR PREPARATION CHART

Prepare all holes and cutouts shown if they are not already present on door

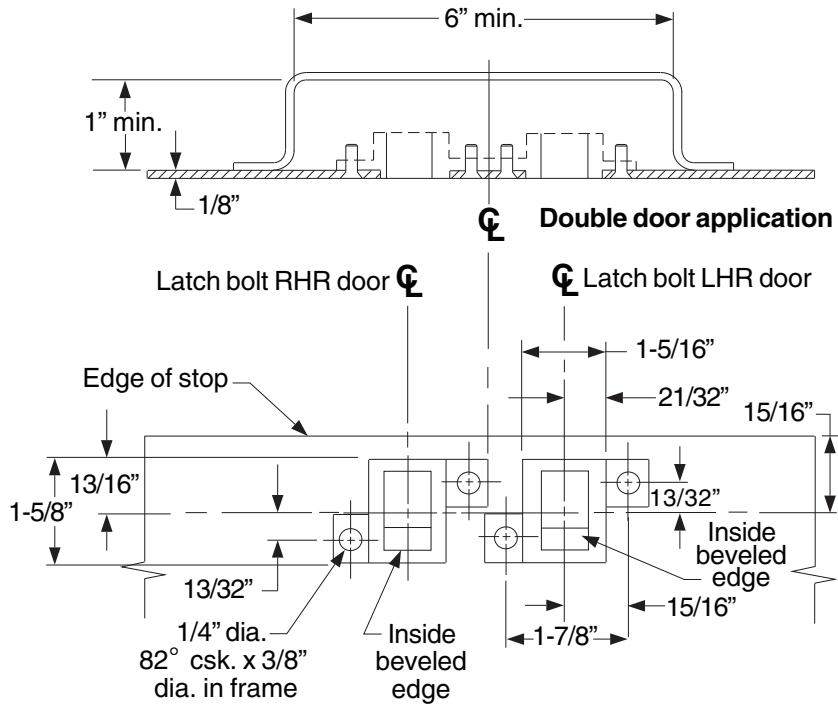


DOOR ROUTING INSTRUCTIONS

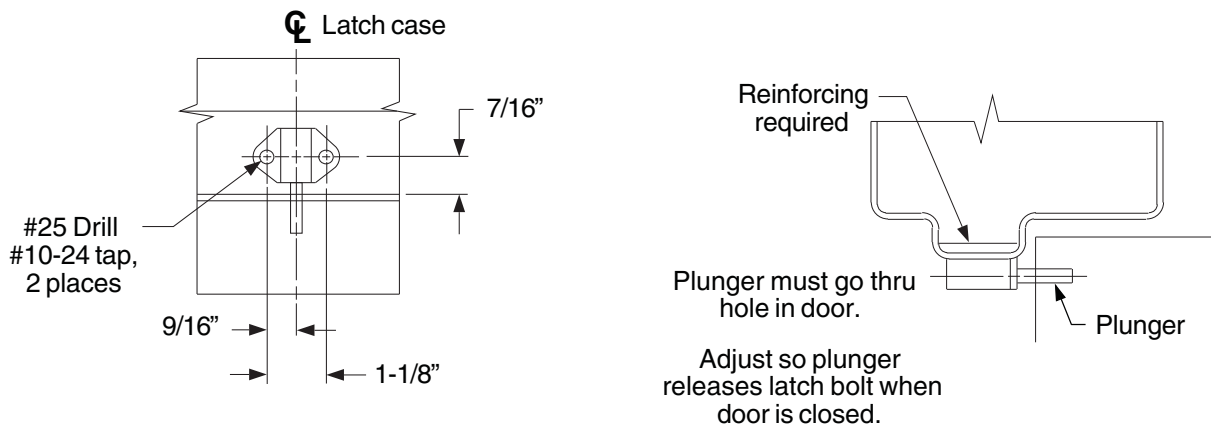


FRAME PREPARATION

338 Top strike

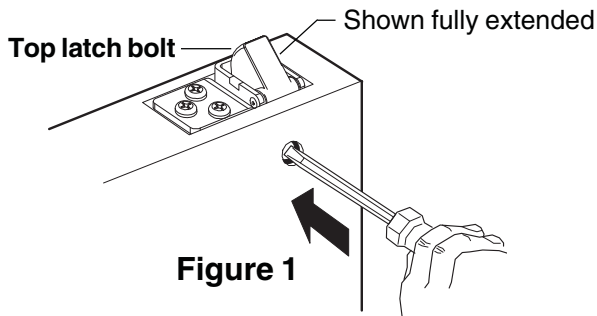


Ratchet release

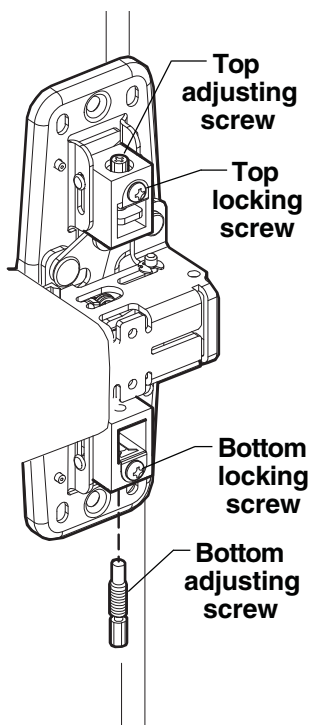


ADJUST RODS

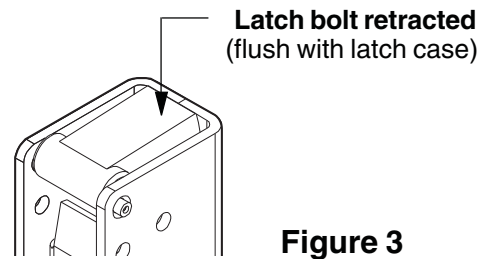
1. Open door and release top latch bolt as shown (Figure 1).



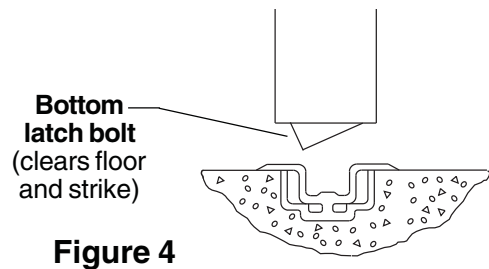
2. Loosen bottom locking screw (Figure 2).
3. Disconnect bottom vertical rod by removing bottom adjusting screw.
4. Loosen top locking screw.
5. Rotate top adjusting screw clockwise until top latch bolt is fully extended (Figure 1).
6. Check top latch bolt for deadlocking (latch bolt should not push in).
7. Turn top locking screw in. Do not over-tighten.



8. Depress pushbar and release.
9. Make sure top latch bolt stays retracted as shown.



10. Install bottom adjusting screw through bottom rod (Figure 2).
11. With top latch bolt still retracted, adjust bottom rod so latch bolt clears floor and bottom strike.



12. Turn bottom locking screw in. Do not over-tighten.
13. Check device operation by opening and closing door several times from the outside.

Redo adjustment procedure if :

- Top latch bolt is not held retracted
- Bottom latch bolt does not clear floor and bottom strike

OPTIONAL EQUIPMENT

CD (CYLINDER DOGGING)

1. Remove mortise cylinder cam and reinstall in reverse (Figure 1).
2. Insert key and rotate cam to install the cylinder to the cover plate (Figure 2).
3. Remove key to slide cover plate in position in the mechanism case.

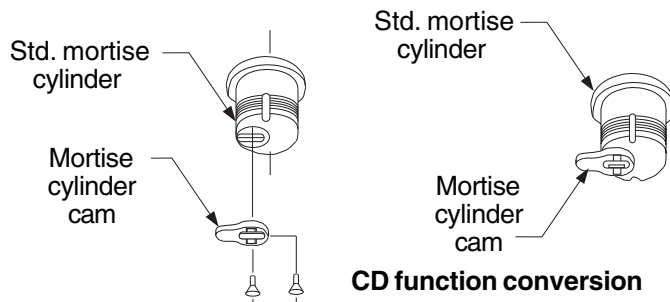


Figure 1

Dogging procedure

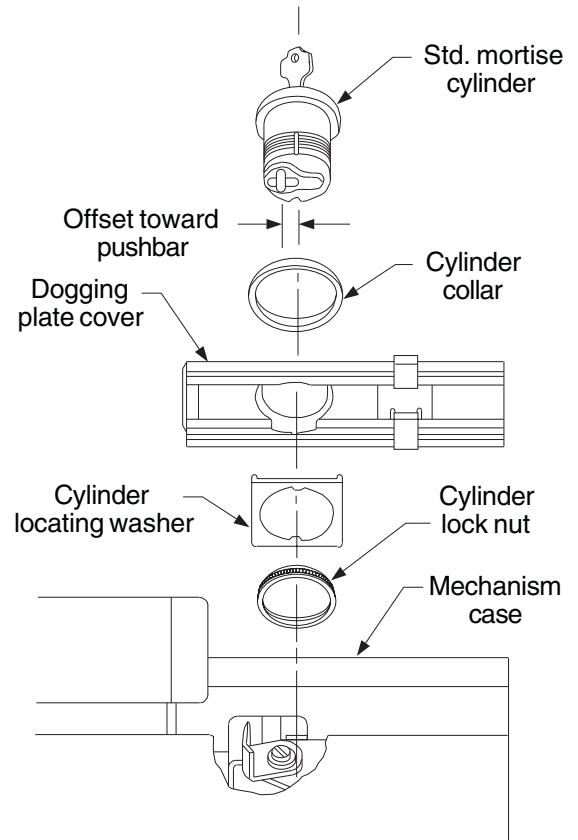
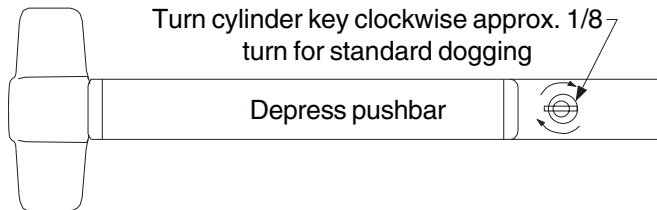
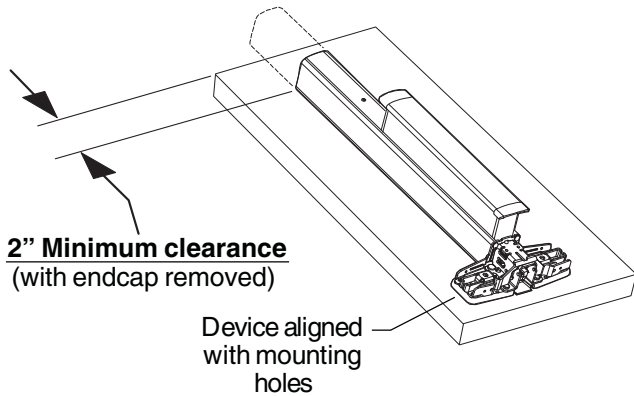


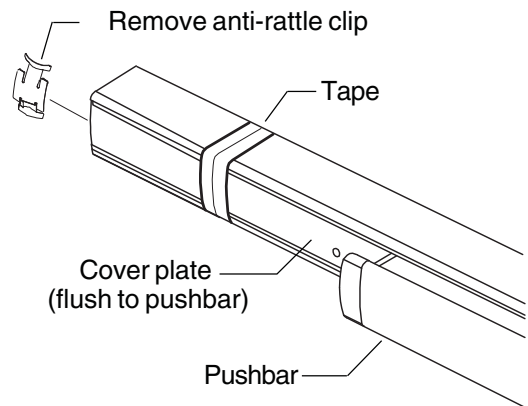
Figure 2

CUT DEVICE

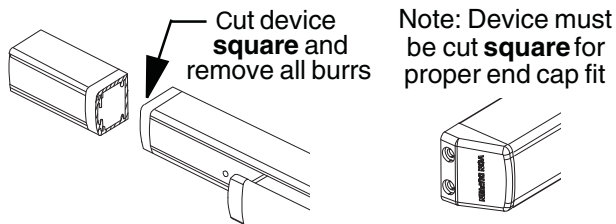
1 Measure amount to cut off device.



2 Tape and mark area being cut.



3 Cut device square.



4 Slide anti-rattle clip into device.

