



941279-00

9854

VON DUPRIN®

Removable Mullion

Installation Instructions

- 1 Adjust ball plunger for top and bottom fitting. Adjust ball plunger out until ball is com- when fitting is engaged with mullion. Once adjusted properly, lock-tite in place. See Figure 1

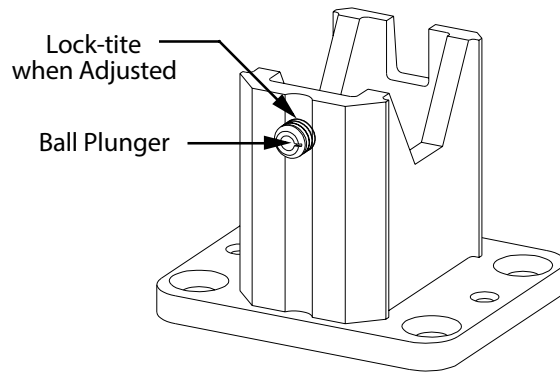


Figure 1

- 2 Line up and install bottom mullion fitting with center of door opening and flush with closed doors. If threshold is used, it must be cut to fit around the bottom fitting. See Figures 2 and 3

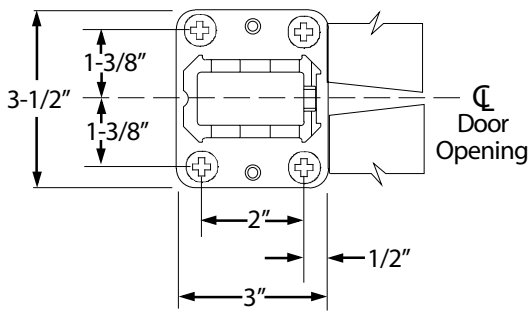


Figure 3

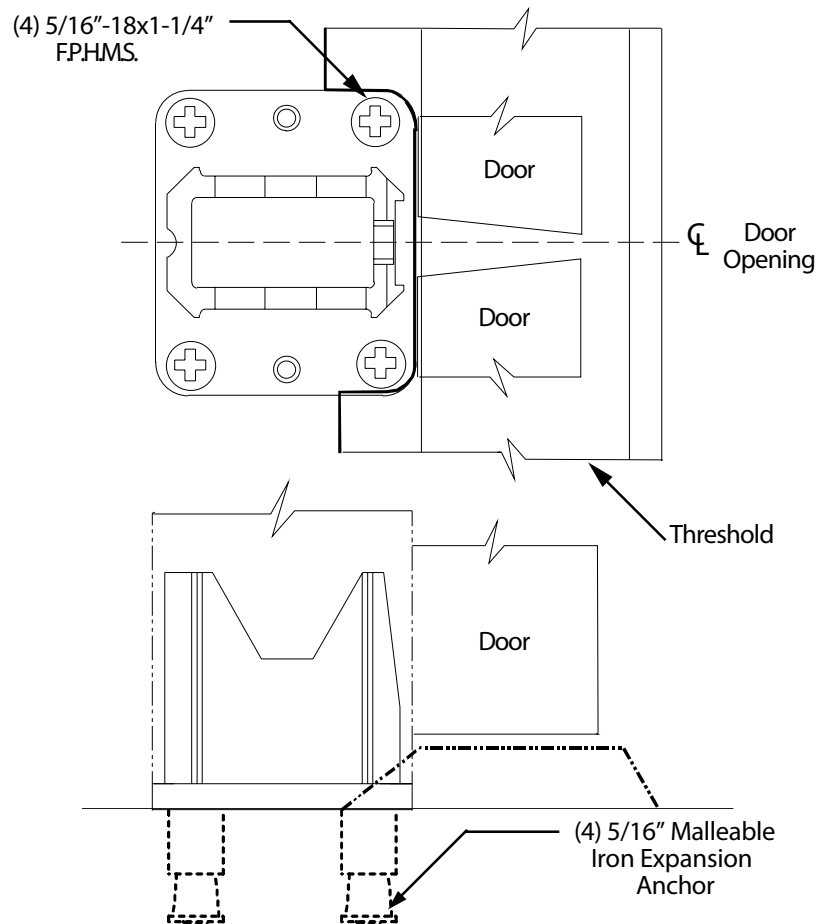


Figure 2



Customer Service

1-877-671-7011 www.allegion.com/us

- 3 Line up and install top mullion fitting and electric fitting plate with center of door opening and flush with closed doors. If stop is less than 3-1/2" wide, a filler block must be provided by others. See Figures 4 and 5

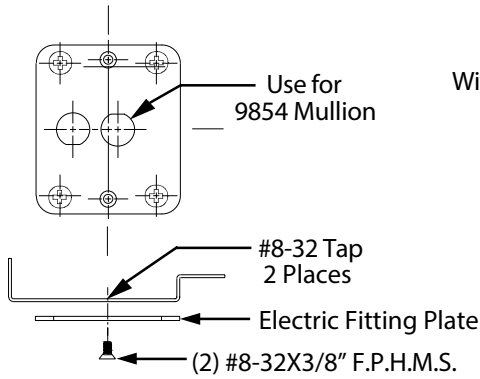
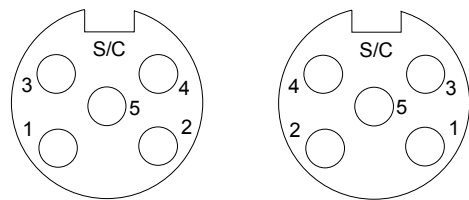


Figure 5

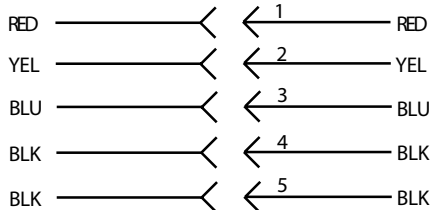
- 4 Cut mullion body from the top to provide clearance as shown in Figure 4. Be sure mullion is seated on bottom fitting.

- 5 Remove top mullion fitting and insert in top of mullion body. See Figure 6

- Mate the electric mullion and frame connectors.
- Slide mullion into place and replace mounting screws.
- Install top mullion clamp.



Mullion Connector Frame Connector
(Viewed from End)



Wiring Diagram

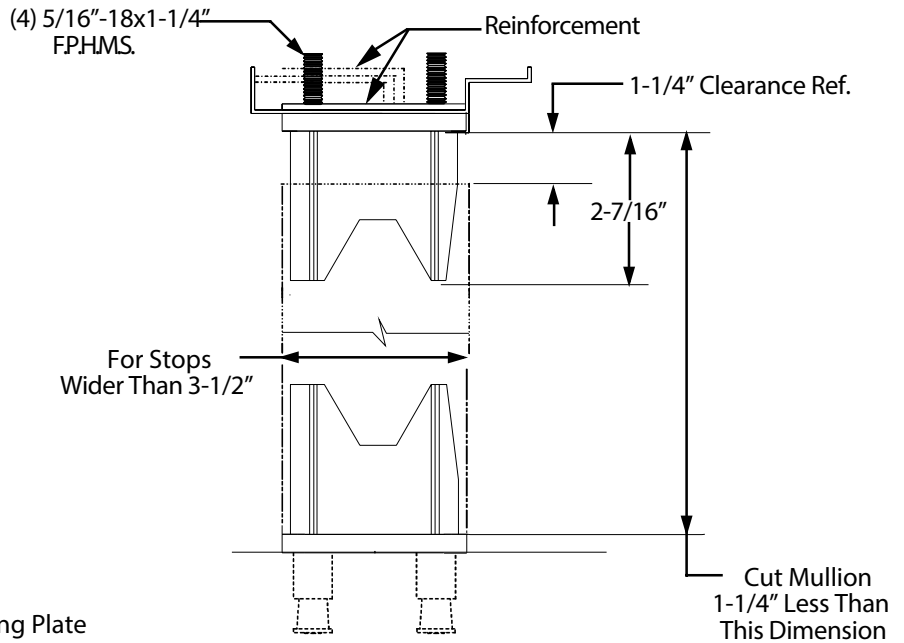
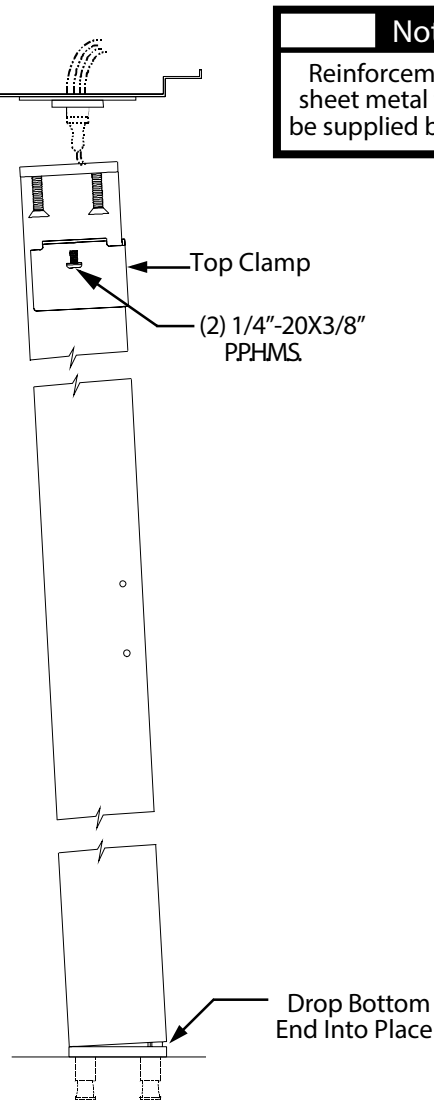


Figure 4

Figure 6



Note:
Reinforcement for all sheet metal frames is to be supplied by frame mfr.

Drop Bottom End Into Place