

# VON DUPRIN

## INSTALLATION DIRECTIONS

### BEFORE APPLYING THIS DEVICE

- Threshold (if any) must be installed.
- Doors must be fitted and hung.
- Check that handing of hardware corresponds to handing of door.
- Apply Astragal (if any). See template No. 40106 for applying Astragal.

### 1. PREPARE DOOR

- Tape template No. 1 to inside face of lock stile. Be sure centerline "X-X" of template is parallel to edge of door and backset is as shown in schedule. Be sure centerline device is 39 13/16" to finished floor.
- Prepare door as shown. See Fig. 1 for wood door application and Fig. 2 for metal door application.

**NOTE** [SEX BOLTS ARE FURNISHED FOR WOOD, FORMICA, AND STEEL COVERED COMPOSITE DOORS. SEE FIG. 6]

### 2. APPLY OUTSIDE TRIM FOR DT APPLICATION ONLY

- See directions in trim carton if required. Line "X-X" on trim template corresponds to line "X-X" on device template and is parallel to edge of door. Transfer line "X-X" from inside face to outside face of door.
- Prepare outside face of lock stile.

### 3. INSTALL LEVER ARMS

- Insert lever arms into lock stile and hinge stile cases.
- Assemble axes and tighten securely. (See instructions in axle envelope.)

### 4. APPLY LOCK STILE CASE

- Attach lock stile to door. See Fig. 1 or 2.

### 5. APPLY HINGE STILE CASE AND CROSSBAR TUBE (FIG. 7)

- Slip crossbar tube on lock stile and hinge stile lever arms. (See Direction Sheet 41009 for cutting crossbar.)
- Be sure crossbar is level and hinge stile case is parallel to edge of door and approximately on centerline of exposed stile.
- Using holes in hinge stile case, mark location and prepare door for attaching screws.
- Apply hinge stile case with crossbar in place.
- Tighten wedge-tite set screws securely with dog key and screwdriver or equivalent for leverage and test crossbar for free action. (See Direction Sheet 41009 for these instructions.)

### 6. INSTALL SOFFIT LATCH BOLT ASSEMBLY (FIG. 6)

- Block door in open position.
- Install latch bolt as shown.

### 7. APPLY TOP LATCH CASE (FIG. 9)

- Close door against stop.
- Tape template No. 3 to door and stop.
- Prepare door for latch case and apply.

### 8. APPLY PLUNGER RELEASE BRACKET (FIG. 8)

- Close door against stop.
- Position backset to depress plunger, and allow rods to fall into engaged position.
- Tighten bracket mounting screws.

### 9. APPLY TOP ROD

- Block door in open position.
- Check rod for correct length. See Direction Sheet 41028 for cutting 88 vertical rods.
- Drive in top rod connector.
- Attach top rod with rod guide. (See Fig. 3) adjust rod length so connector fits as shown (Fig. 4)
- Check top rod for full retraction of latch bolt. Top rod should be flush to 1/16" above latch release surface.

### 10. APPLY BOTTOM LATCH CASE

- Close door against stop so top bolt engages.
- Tape template No. 2 to door and floor indicated on template.
- Prepare door for latch case and floor or threshold for strike and apply.

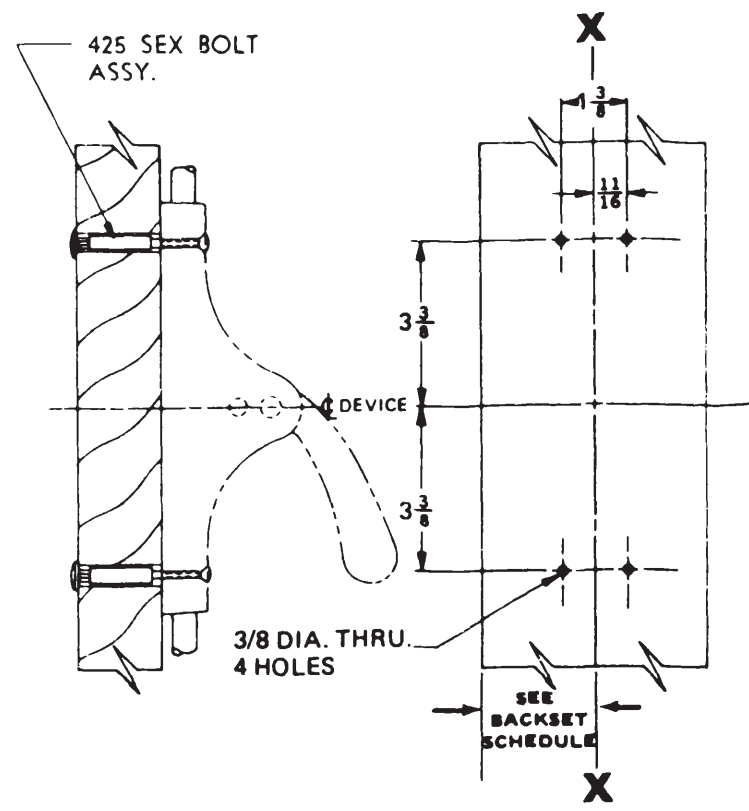
### 11. APPLY BOTTOM ROD

- NOTE: DO NOT CUT BOTTOM ROD**
- Block door in open position.
  - Retract bottom latch bolt.
  - Adjust rod so rod connector fits as shown. (Fig. 5)
  - Test door for top and bottom latch engagement.

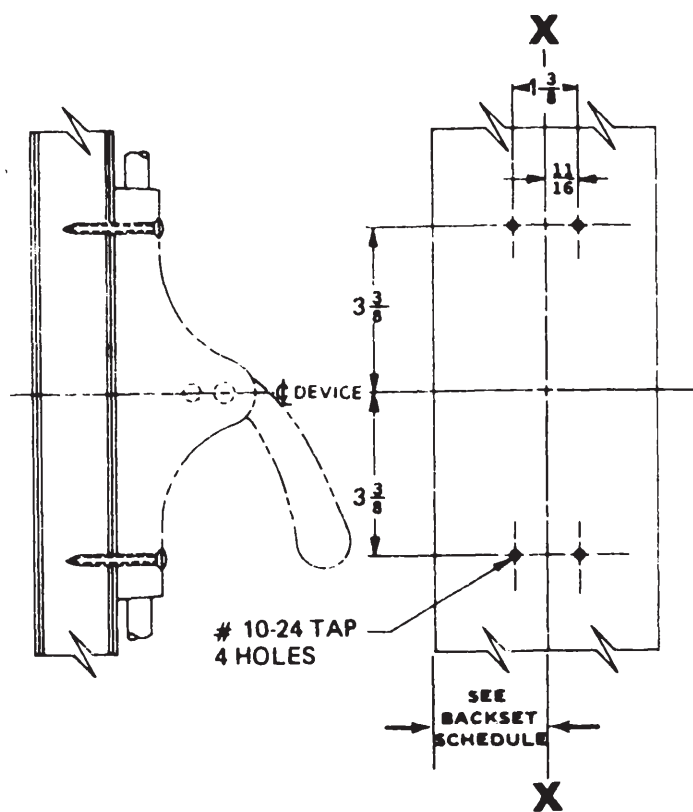
### 12. APPLY TOP AND BOTTOM LATCH CASE COVER

### 13. APPLY COORDINATOR

- NOTE** [1237 COORDINATOR MUST BE SURFACE APPLIED WHEN USED WITH 8827F SERIES EXIT HARDWARE. SEE DIRECTIONS IN COORDINATOR PACKAGE.]



WOOD DOOR APPLICATION  
FIG. 1



METAL DOOR APPLICATION  
FIG. 2

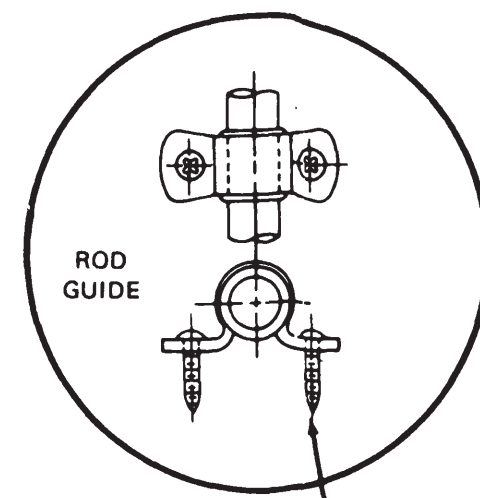


FIG. 3 #10-24 TAP FOR METAL DOORS.  
#10 W.S. FOR WOOD DOORS.  
SIZE OF PILOT HOLES FOR WOOD DOORS DEPENDS ON HARDNESS OF WOOD  
2 HOLES

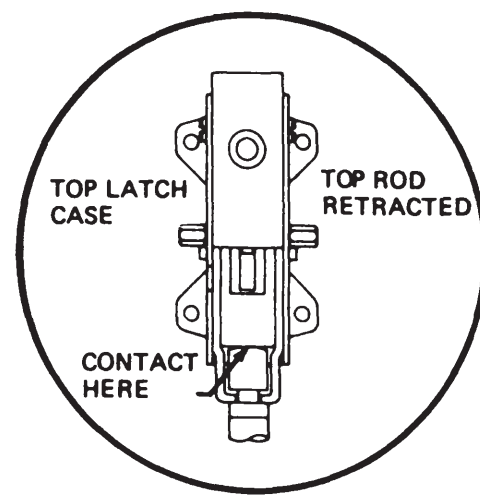


FIG. 4

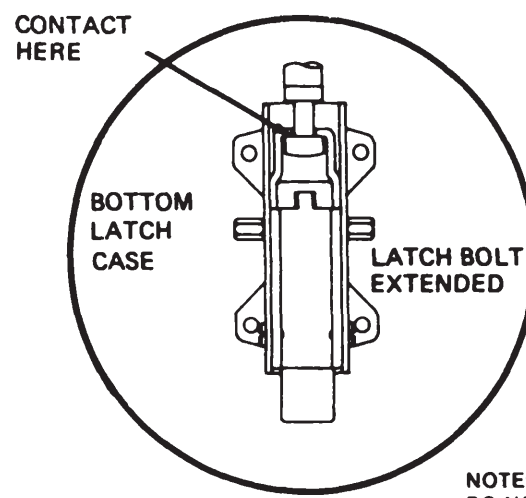


FIG. 5

NOTE: DO NOT CUT BOTTOM ROD

NOTE - MORTAR GUARD SHOULD BE PROVIDED TO PROTECT SOFFIT LATCH BOLT ASSEMBLY

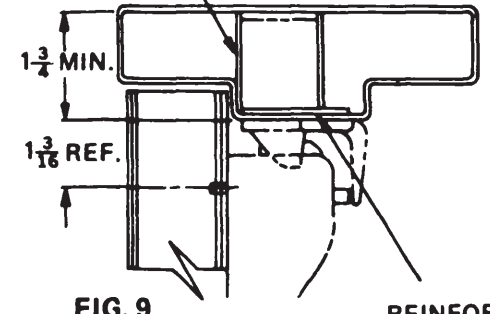


FIG. 9

REINFORCING REQUIRED FOR SOFFIT LATCH MUST BE RECESSED 1/8" FROM TOP SURFACE OF STOP.

DEVICE INSTALLATION SCHEDULE	
VERT. ROD & MORT. DEVICE	2 3/4
TWO VERT. ROD DEVICES	2 3/4
SINGLE DOOR	2 3/4
WHEN SURFACE APPLIED COORDINATOR IS USED BACKSET OF VERTICAL ROD DEVICE MUST BE	2 3/4

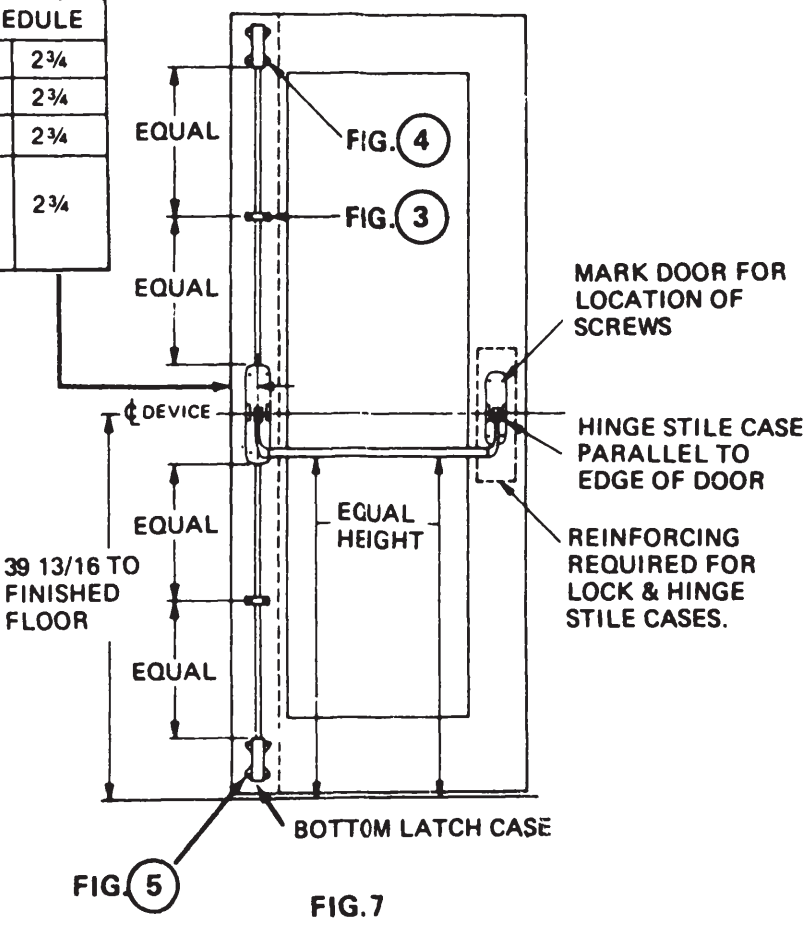
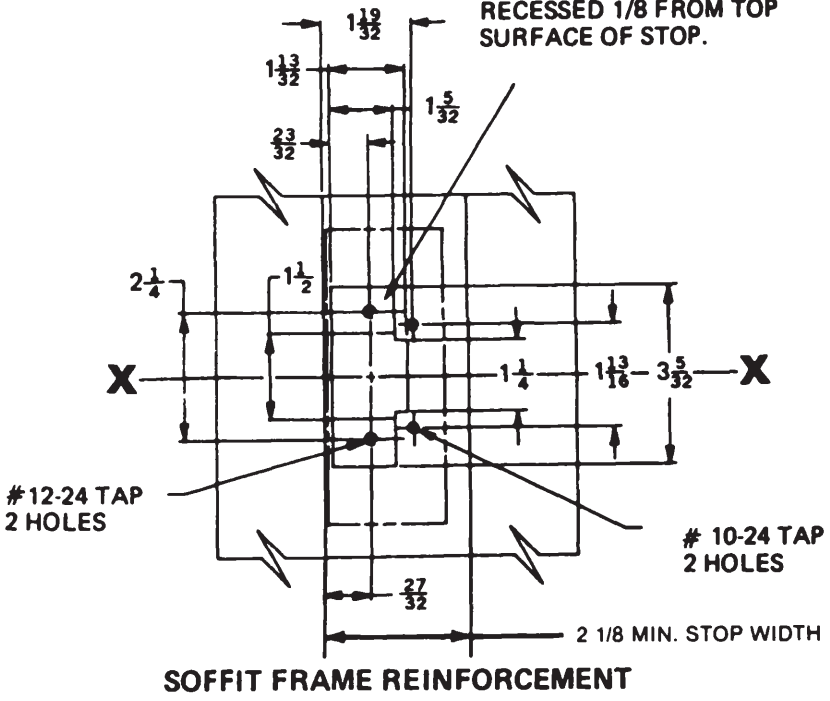


FIG. 7



SOFFIT FRAME REINFORCEMENT

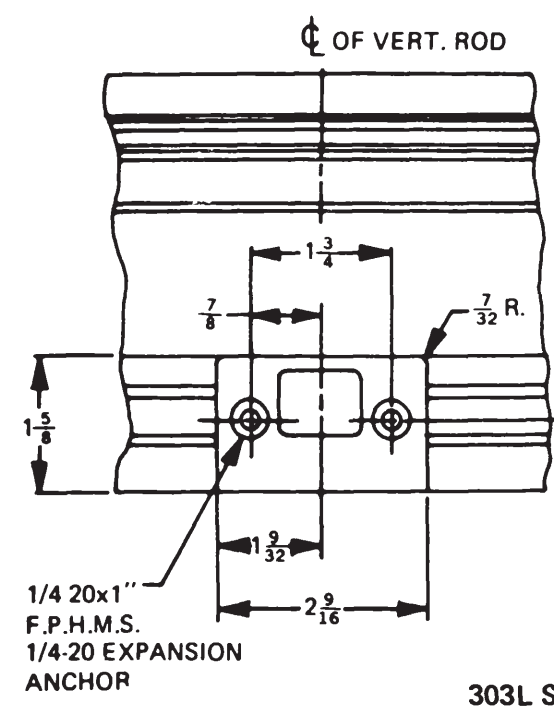


Customer Service  
1-877-671-7011 www.allegion.com/us

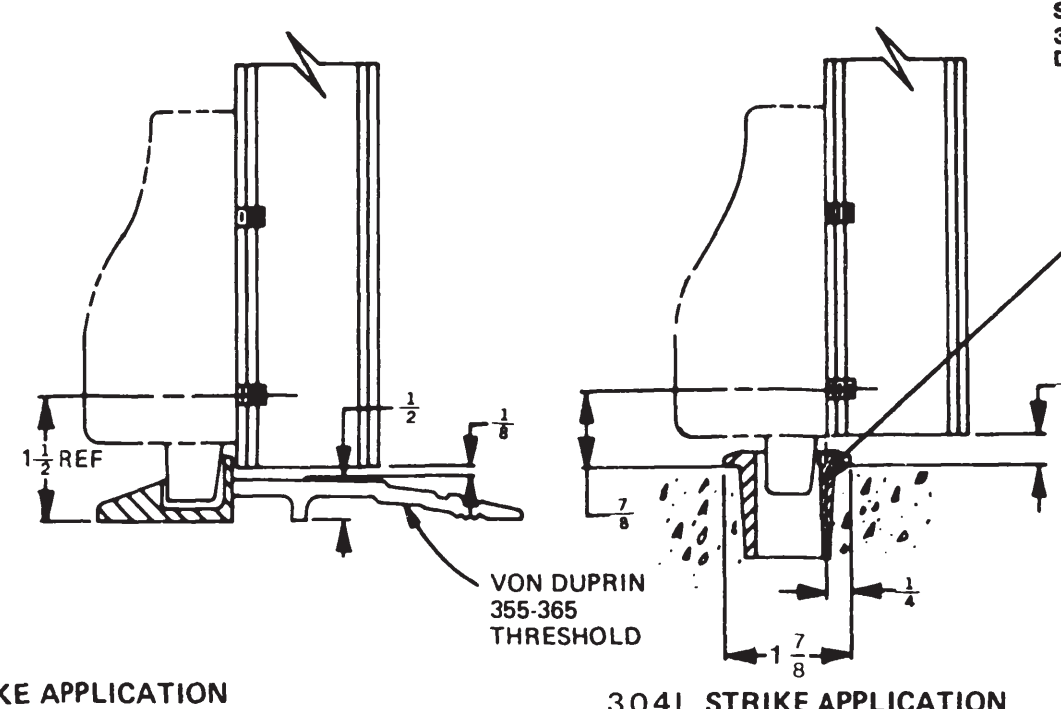
UL LISTED FIRE EXIT HARDWARE

DESCRIPTION  
**8827F SURFACE APPLIED DEVICE**

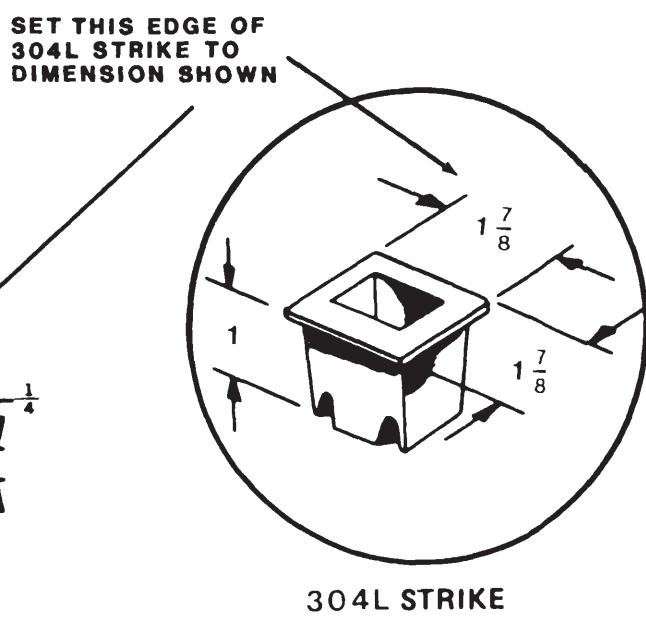
**VON DUPRIN**  
DIRECTION NUMBER 911164-00(b) DATE Rev. 01/14



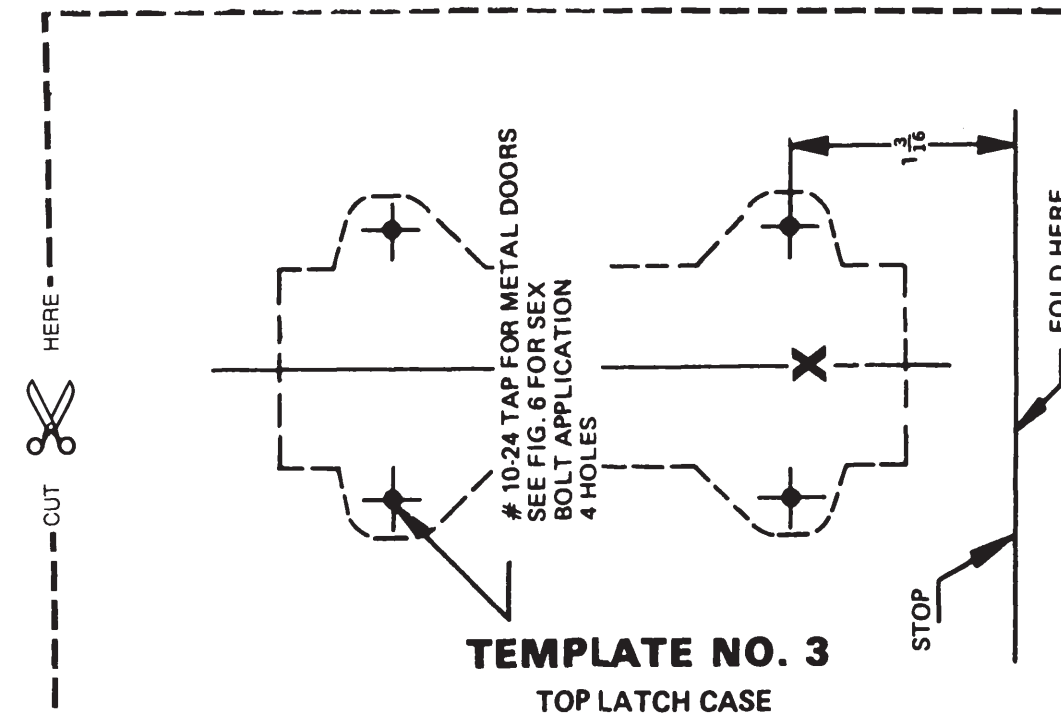
303L STRIKE APPLICATION



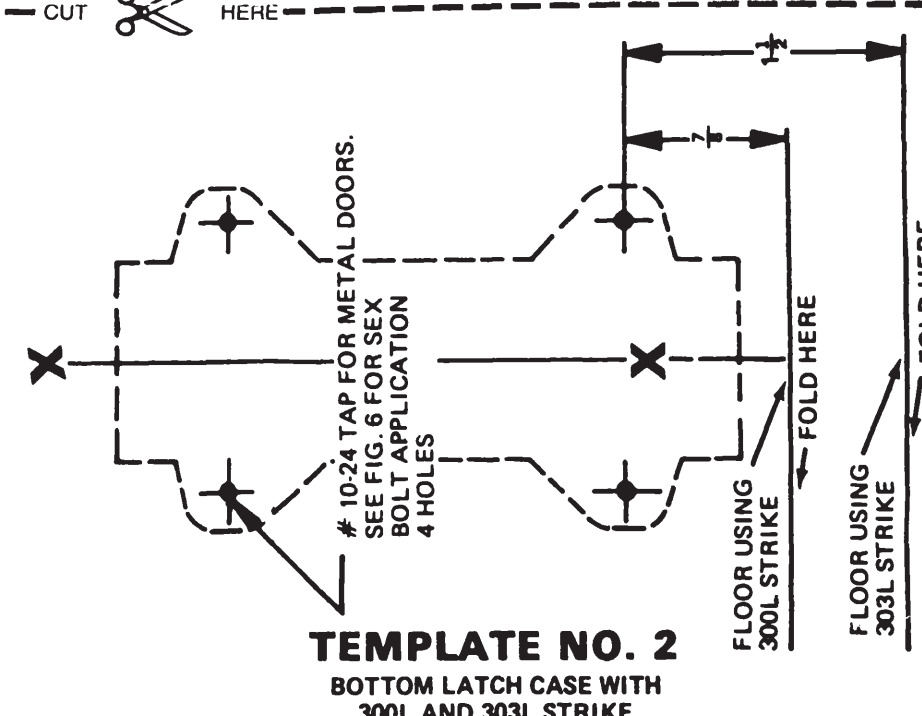
304L STRIKE APPLICATION



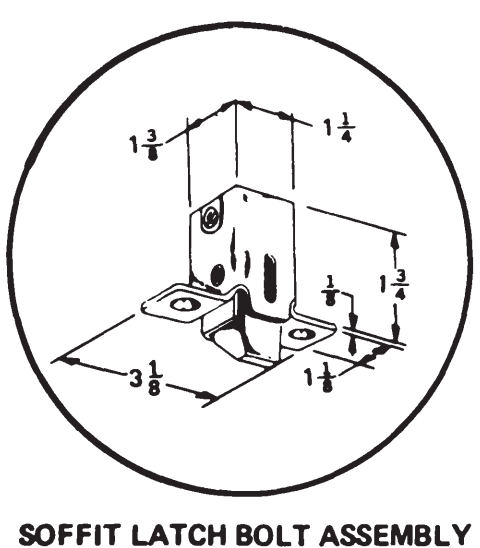
304L STRIKE



TEMPLATE NO. 3  
TOP LATCH CASE



TEMPLATE NO. 2  
BOTTOM LATCH CASE WITH  
300L AND 303L STRIKE



SOFFIT LATCH BOLT ASSEMBLY

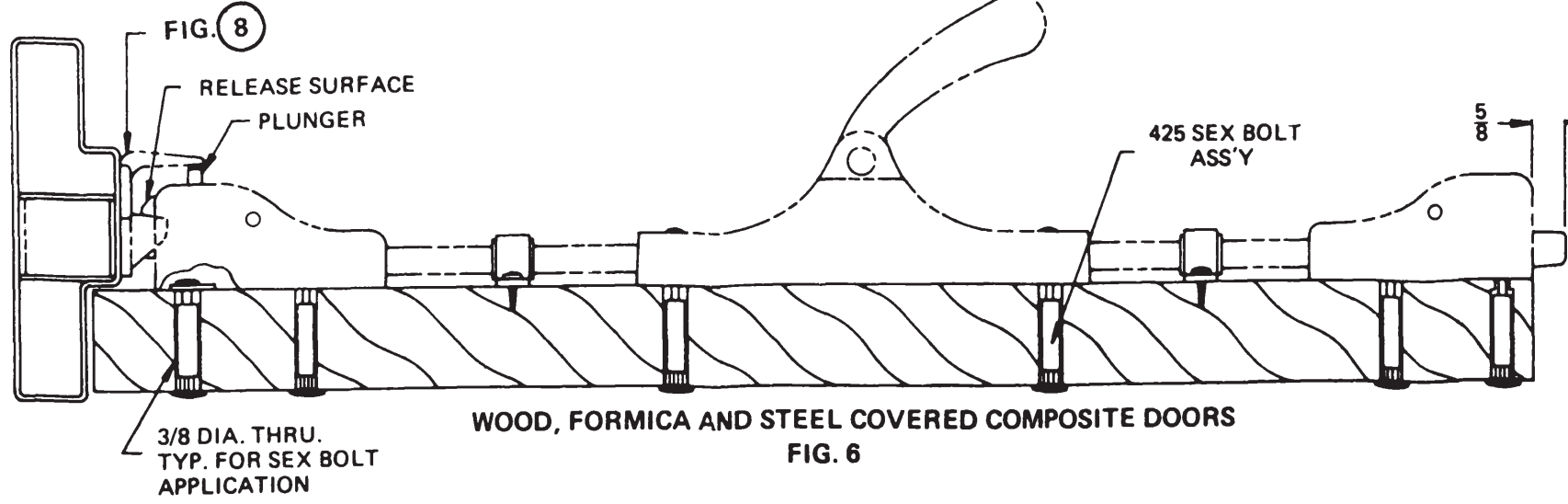
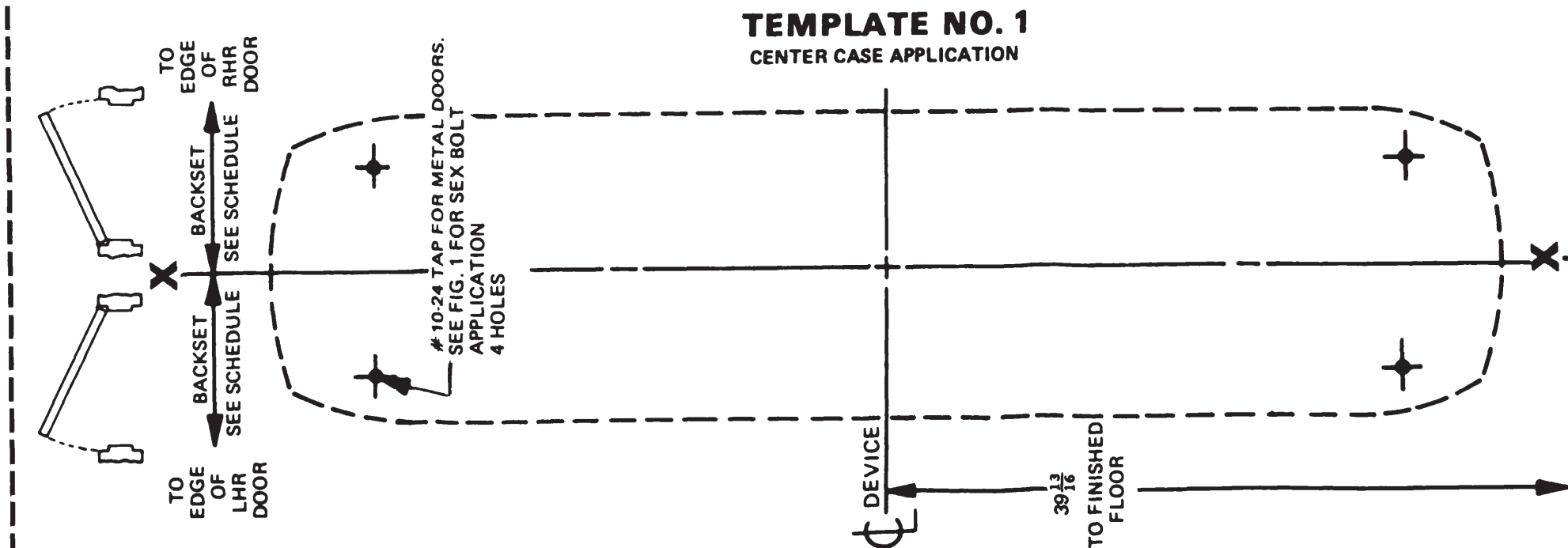


FIG. 6



TEMPLATE NO. 1  
CENTER CASE APPLICATION