



921261-00

Trim, for 880K-DT, See Other Side

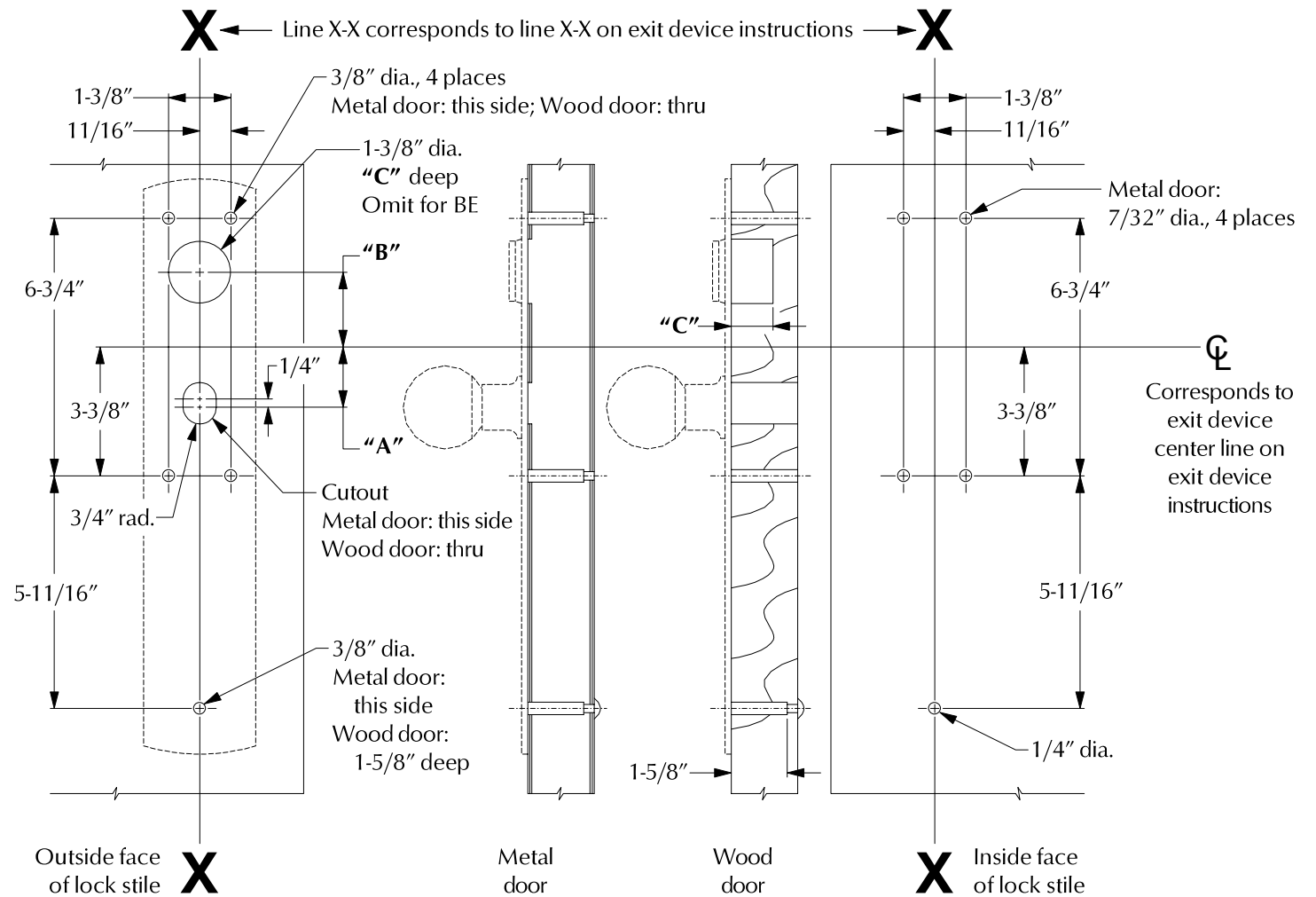
880K/K-BE

VON DUPRIN®

Installation Instructions

1. Prepare door for exit device. See exit device instructions for holes, line X-X, and center lines.
2. Prepare door for trim:
 - A. Transfer line X-X from inside (exit device side) of door to outside (trim side) of door. Use extra care if edge of door is beveled.
 - B. Locate and prepare all holes as shown.
3. For K trim with 8827 vertical rod device, install rim cylinder and cut cylinder tailpiece to extend 1/4" to 1/2" out of exit device side of door.
4. Cut knob spindle to be 1/8" to 3/8" less than door thickness.
5. Apply trim.
6. Apply exit device.

Device Application Schedule			
Device	Dimension "A"	Dimension "B"	Dimension "C"
8875 Mortise Lock	1-1/4"	2"	3/4"
8827 Vertical Rod	1-1/2"	1-3/4"	thru



LHR shown, RHR opposite

For cutouts on inside face of door, see exit device instructions

Customer Service
1-877-671-7011 www.allegion.com/us



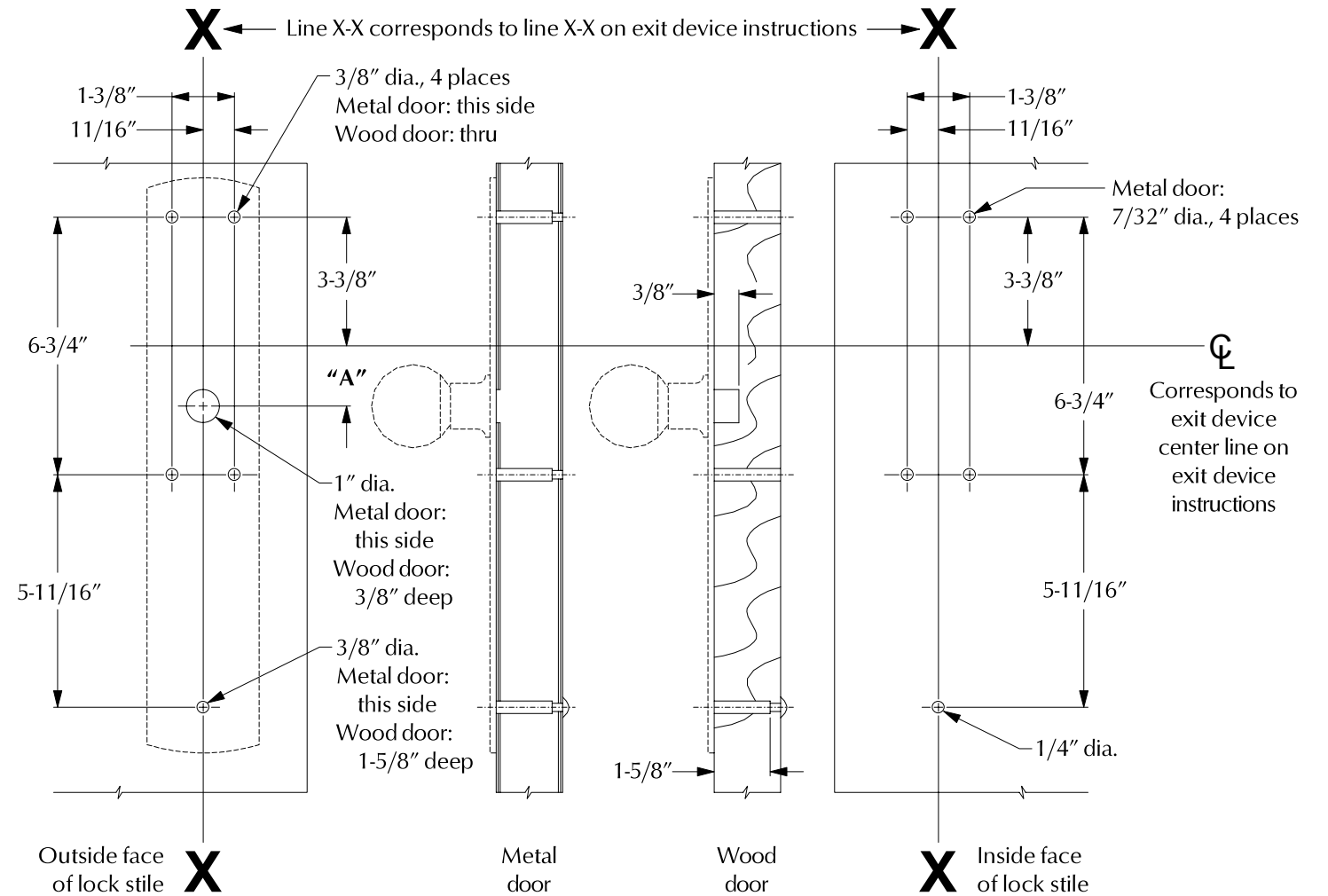
© Allegion 2014
Printed in U.S.A.
921261-00 Rev. 01/14-b

880K-DT

Trim, for 880K/K-BE, See Other Side

1. Prepare door for exit device. See exit device instructions for holes, line X-X, and center lines.
2. Prepare door for trim:
 - A. Transfer line X-X from inside (exit device side) of door to outside (trim side) of door. Use extra care if edge of door is beveled.
 - B. Locate and prepare all holes as shown.
3. Apply trim.
4. Apply exit device.

Device Application Schedule	
Device	Dimension "A"
8875 Mortise Lock	1-1/4"
8827 Vertical Rod	1-1/2"



LHR shown, RHR opposite

For cutouts on inside face of door, see exit device instructions