



921254-00

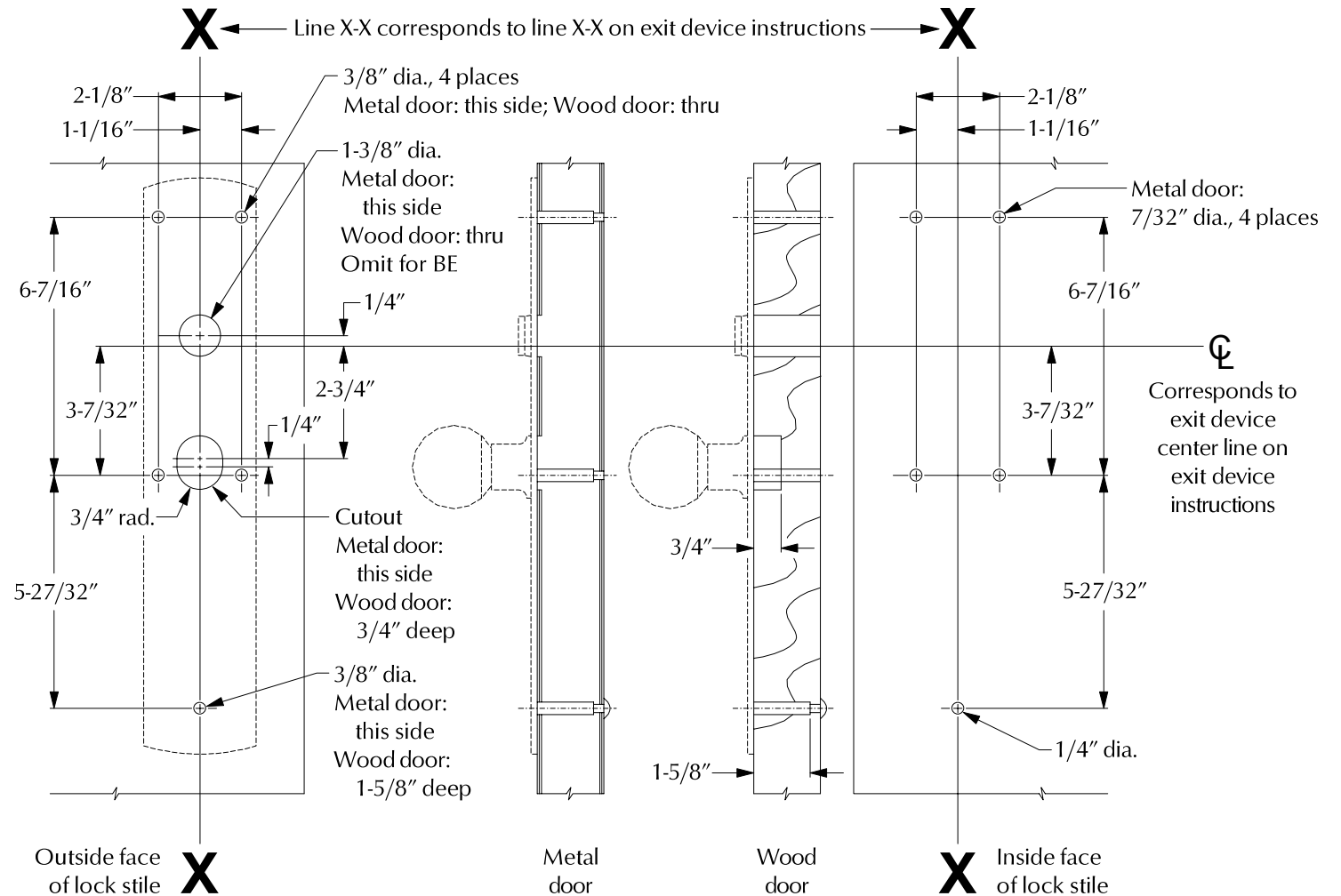
Trim for 44 and 88 rim devices, for 880K-DT/K-Rigid, see other side

880K/K-BE

VON DUPRIN®

Installation instructions

1. Prepare door for exit device. See exit device instructions for holes, line X-X, and center lines.
2. Prepare door for trim:
 - A. Transfer line X-X from inside (exit device side) of door to outside (trim side) of door. Use extra care if edge of door is beveled.
 - B. Locate and prepare all holes as shown.
3. For K trim, install rim cylinder and cut cylinder tailpiece to extend 5/8" to 3/4" out of exit device side of door.
4. Cut knob spindle to extend 1/4" to 1/2" out of exit device side of door.
5. Apply trim.
6. Apply exit device.



LHR shown, RHR opposite

For cutouts on inside face of door, see exit device instructions

Customer Service

1-877-671-7011

www.allegion.com/us



© Allegion 2014
Printed in U.S.A.
921254-00 Rev. 01/14-b

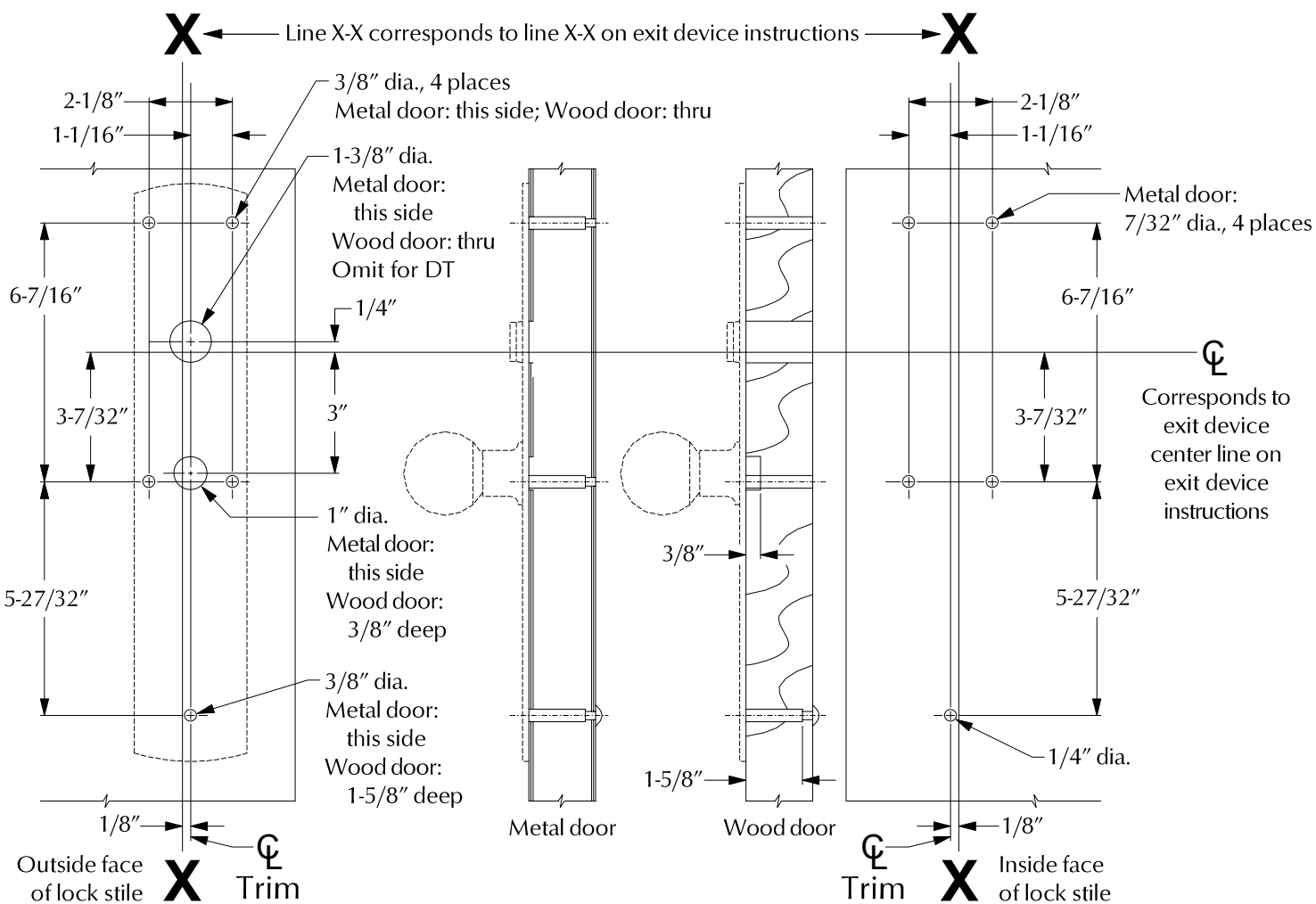
880K-DT/K-Rigid

Trim, for 880K-K/K-BE, See Other Side

1. Prepare door for exit device. See exit device instructions for holes, line X-X, and center lines.
2. Prepare door for trim:
 - A. Transfer line X-X from inside (exit device side) of door to outside (trim side) of door. Use extra care if edge of door is beveled.
 - B. Locate and prepare all holes as shown

IMPORTANT
 Note that trim center line is offset from line X-X by 1/8" as shown.

3. For K-RIGID trim, install rim cylinder and cut cylinder tailpiece to extend 5/8" to 3/4" out of exit device side of door.
4. Apply trim.
5. Apply exit device.



LHR shown, RHR opposite
 For cutouts on inside face of door, see exit device instructions