



P516-961

Surface Mounted Rim Strike

Installation Instructions

Important:

Installations of the RIM strike qualify as "Indoor Use Only" when not continuously exposed to an outdoor environment. Ensure the exit device functions as intended for life safety concerns by verifying electric strike and exit device compatibility. Maximum latch projection is essential to obtaining full holding force.

When installed in a fail secure manner, the local authority having jurisdiction shall be consulted with regard to the use of selected panic hardware to ensure emergency exit from the secured area.

Catalog specifications

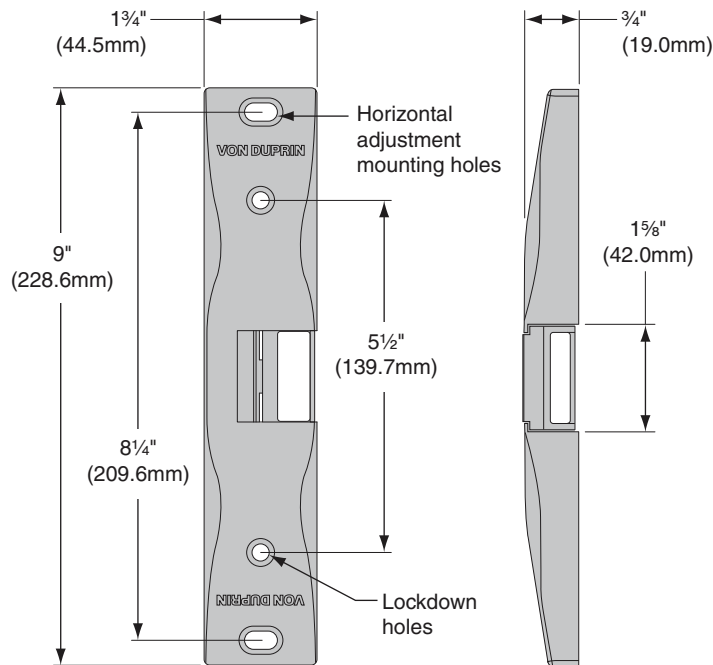
Model	Mode	Voltage	Current	Duty	Amps	Ohms
6300	Fail Secure	12V	DC	Continuous	0.50	22
6300	Fail Secure	24V	DC	Continuous	0.24	89

FSE = Fail Locked / Fail Secure
 DC = Direct Current
 Continuous Duty = Energized 1 minute or more

UL 294 Performance Ratings:

Access Control Line Security: Level I
Destructive Attack: Level I
Endurance: Level IV
Standby Power: Level I

Dimensional Details



1 Find center line

Determine the horizontal center line of the exit device latch and transfer center line to the frame stop.

2 Center-punch mounting holes

Position the paper template onto the frame aligning with center line and against the closed door. Center-punch the two mounting holes and the wire access hole as shown.

Drill and tap the two mounting holes and drill the wire access hole.

3 Test fit

Test fit electric strike to ensure full latch engagement. Add provided spacer if required.

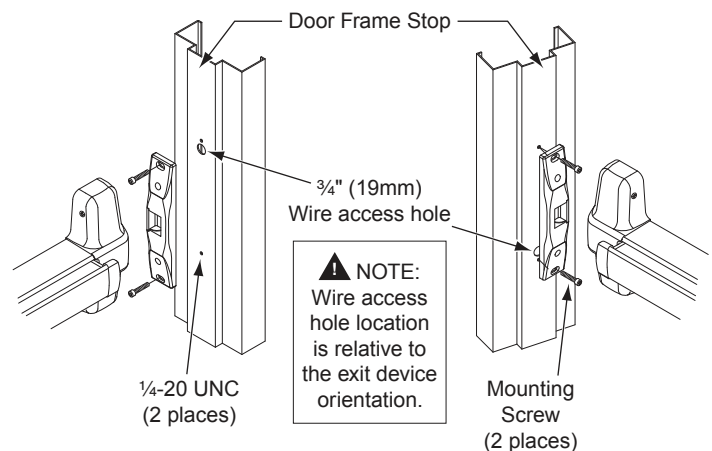
4 Wire connections

Make wire connections from the power source to the appropriate wire harness supplied. Use the 12V harness for 12VDC. Use the 24V harness only for 24VDC.

Note: Overheated or burnt coils caused by incorrect voltage/wire harness combinations will not be covered under warranty.

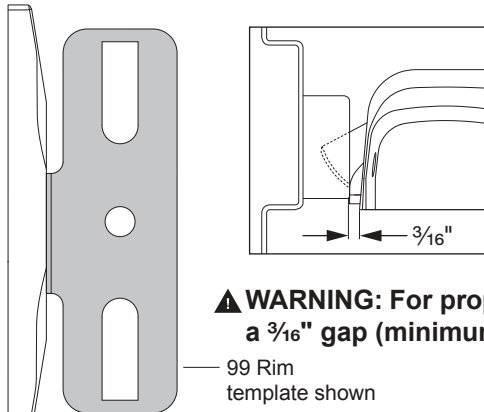
5 Mount electric strike

Using the 1/4-20 UNC screws provided, loosely mount the electric strike using the horizontal mounting holes (outer slots).



6 Install Exit Device

Install exit device per manufacturer instructions and align plastic template as shown.



⚠ WARNING: For proper operation, a $\frac{3}{16}$ " gap (minimum) is required.

99 Rim
template shown

7 Adjust strike

Adjust the electric strike horizontally until exit device latch fully engages with the door closed.

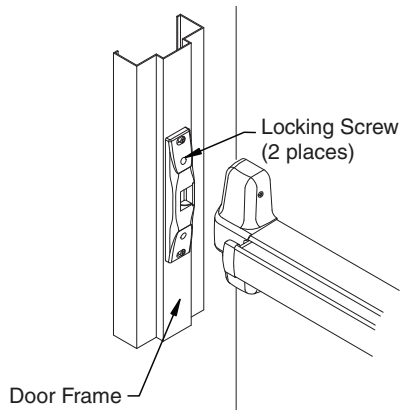
- ① **Note: Ensure a $\frac{1}{16}$ " (1.5mm) clearance between exit device latch and electric strike is maintained. Latchbolt should not touch the keeper.**

8 Check screws and operation

Tighten the two mounting screws and check operation. Adjust the horizontal position of the electric strike as required.

9 Prepare holes

Using the electric strike as a template, prepare the two locking holes by drilling and tapping for $\frac{1}{4}$ -20 UNC screws. Using the $\frac{1}{4}$ -20 UNC screws provided, secure the electric strike through the locking holes.

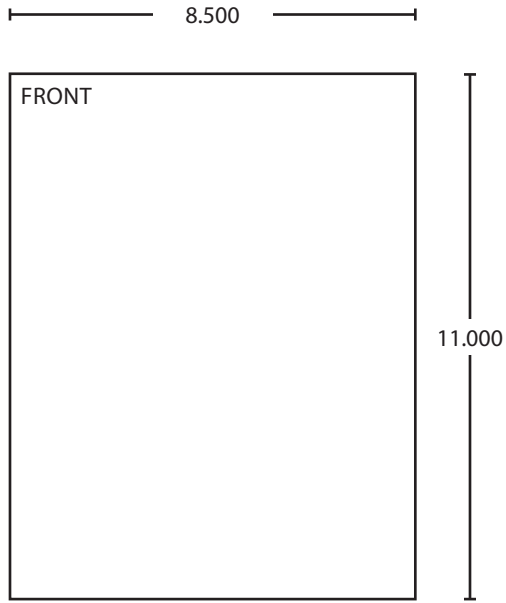


10 Check Proper Electrical and Mechanical Function

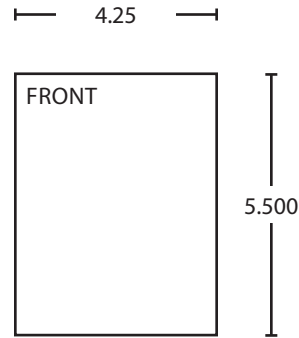
Customer Service

1-877-671-7011 www.allegion.com/us





BEGINNING SHEET



FOLDED SHEET

Additional Notes:
1. None

Revision History						Revision Description: B > Revised artwork				
A	B	C	D	E	F					
060874										
Material White Paper						Edited By	Approved By	EC Number	Release Date	
						J. Ellis	M. Roberts		1-31-17	
Notes 1. printed two sides 2. printed black 3. tolerance $\pm .13$ 4. printed in country may vary 5. drawings not to scale						Title SHEET, INSTRUCTION, 6300 SMR STRIKE				
						Creation Date 12-18-14	Number P516-961		Revision B	
						Created By D. Spence	Activity 3899 Hancock Expwy Security, CO 80911			
						Software: InDesign CS6		© Allegion 2017		