



931229-00

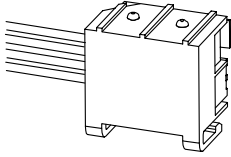
6000

VON DUPRIN®

Electric strike DS replacement kit

Installation instructions

PARTS LIST



Double Switch
Type A, Type A Gold
Type B, or Type B Gold



Strain relief



Button head screw
#6-32 X 1/4" (2)

INSTALLATION



NOTES

- Turn off power to strike before removal.

1 Remove strike from door frame, unplug wiring plugs, and remove strike box from faceplate as shown (Figure 1).

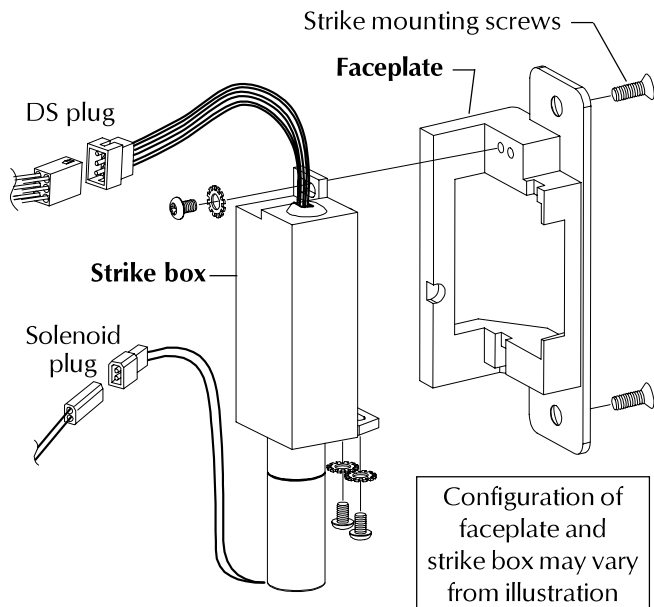


Figure 1

2 Remove box cover (5/64" Allen wrench) and remove old double switch (Figure 2).

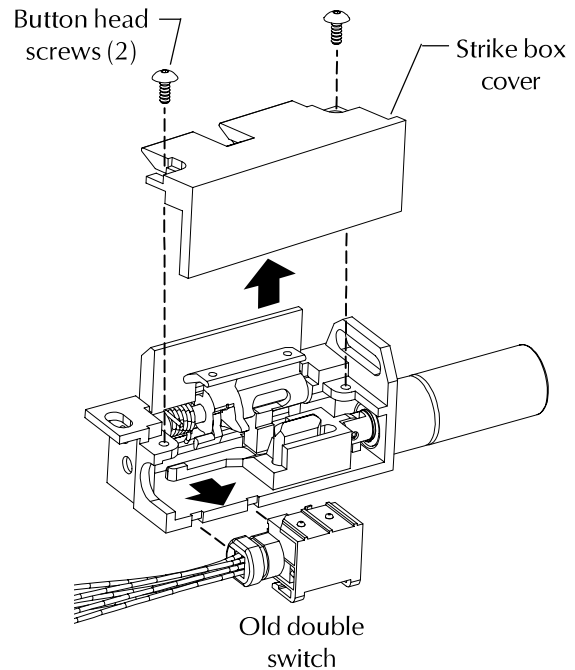


Figure 2



Customer Service

1-877-671-7011

www.allegion.com/us

© Allegion 2014
Printed in U.S.A.
931229-00 Rev. 01/14-b

3 With keeper in closed position, install new double switch (Figure 3).

Hold keeper in closed position while installing switch and after switch is installed or switch actuator can be damaged

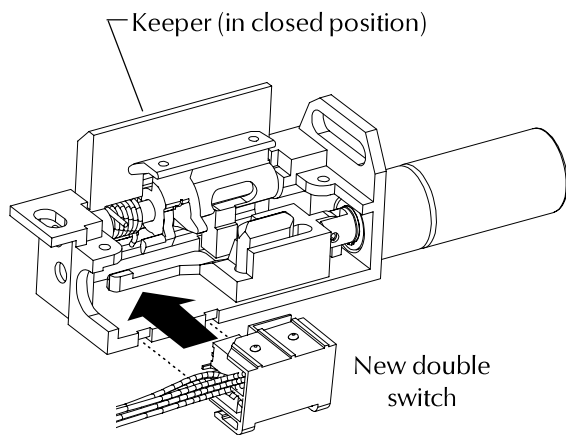


Figure 3

4 Snap new strain relief around DS wires (Figure 4-1) and slide into box slot with flat part facing out as shown (Figure 4-2).

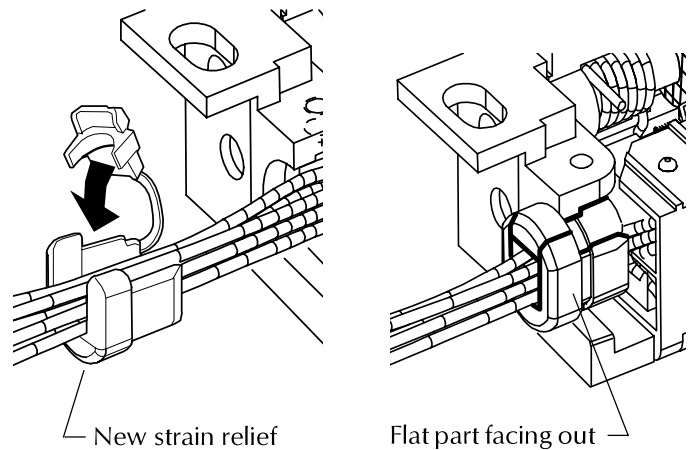


Figure 4-1

Figure 4-2

5 Place keeper spring as far left as possible and verify that spring's hook is seated in keeper's spring slot (Figure 5).

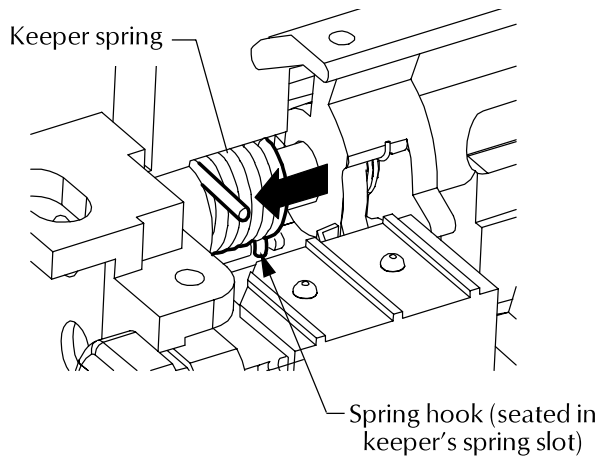


Figure 5

6 Secure box top on box and while ensuring that the keeper spring does not move out of position, and that the wire strain relief is secure (Figure 6).

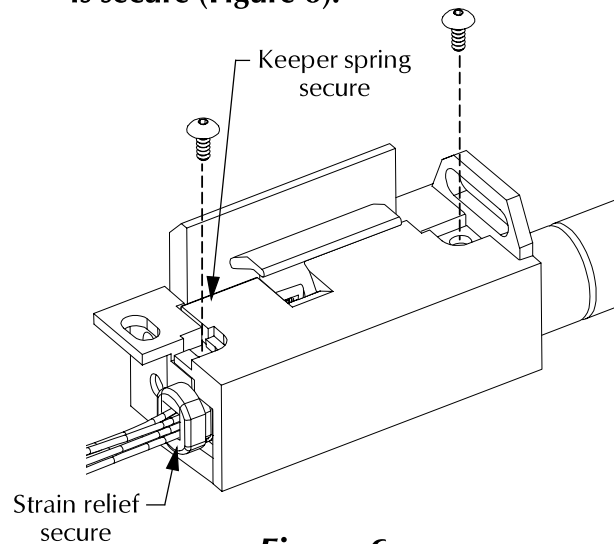


Figure 6

7 Reattach the box to the faceplate and reinstall strike. See Figure 1.

NOTES:

If the current being sent through the switch is less than 100mA a Gold contact switch (100mA) must be used.

If the current is greater than 100mA use the standard switch (standard switches are rated for a maximum of 2A).

Type B switches are required for 6211WF and 6212WF units.

A non DS unit can not be upgraded to a DS unit with this kit because the kit does not contain a tripper.