



941132-00

# 360L/L-BE/L-DT/L-NL/T/T-BE

FOR TRIMS  
SHIPPING ON OR  
AFTER 4-27-17

VON DUPRIN®

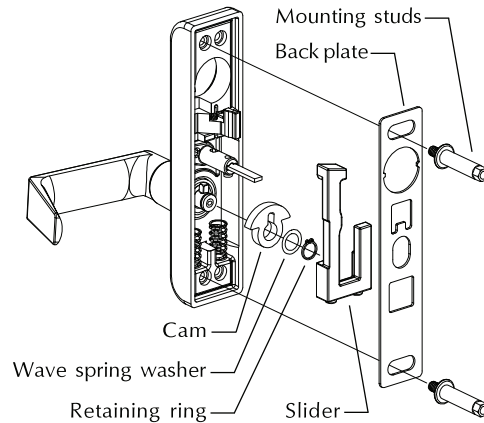
Controls for 33/35 Series Rim and Vertical Devices

Installation Instructions

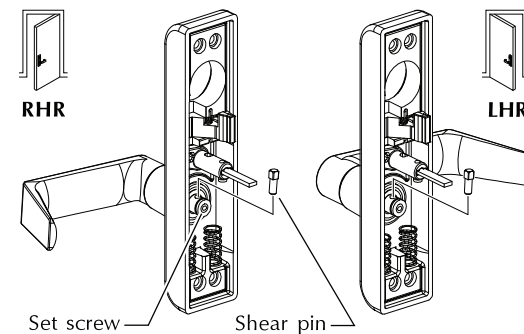
- Prepare door for exit device. See exit device instructions for locations of holes, backset, line X-X, and center lines.
- Prepare door for control:
  - Transfer line X-X from inside (exit device side) of door to outside (control side) of door. Use extra care if edge of door is beveled. Be sure line X-X is parallel to edge of door.
  - Locate and prepare holes as shown on other side.
- Prepare control:
  - If necessary, change handing (360L/L-BE and 360T/T-BE only; 360L-DT handing cannot be changed). For 360T/T-BE, **move mounting studs only** to change handing (see Step No. 4 of "TO CHANGE LEVER HANDING").
  - If necessary, set cylinder cam for NL or TL function and install cylinder (360L and 360T only).
  - If necessary, adjust tailpiece length (360L/L-BE and 360T/T-BE only).
- Install exit device and control.

## TO CHANGE LEVER HANDING (360L SHOWN; 360L-BE SIMILAR)

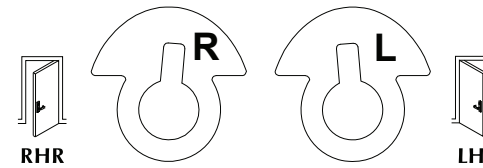
- Remove parts in this order:
  - mounting studs
  - back plate
  - slider
  - retaining ring (use retaining ring pliers)
  - wave spring washer
  - cam



- Loosen set screw, remove shear pin, rotate lever as shown, install shear pin, tighten set screw.

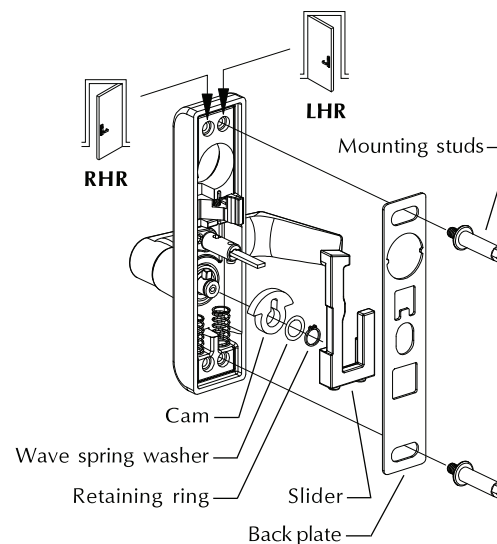


- Install cam with "R" facing out for RHR or "L" facing out for LHR.



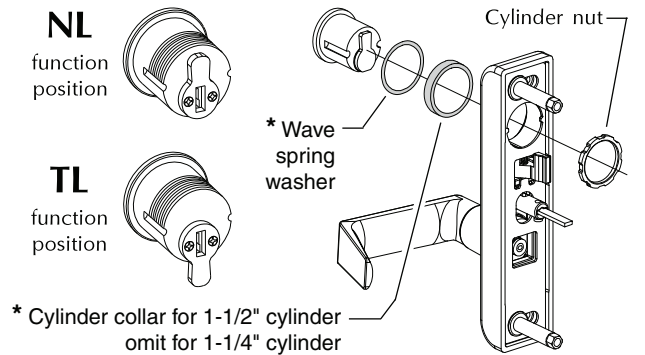
- Install remaining parts in this order:
  - wave spring washer
  - retaining ring (use retaining ring pliers)
  - slider
  - back plate
  - mounting studs

Mounting studs go in holes that are on same side of control that lever points to.



## TO SET CAM FOR NL OR TL FUNCTION AND INSTALL MORTISE CYLINDER

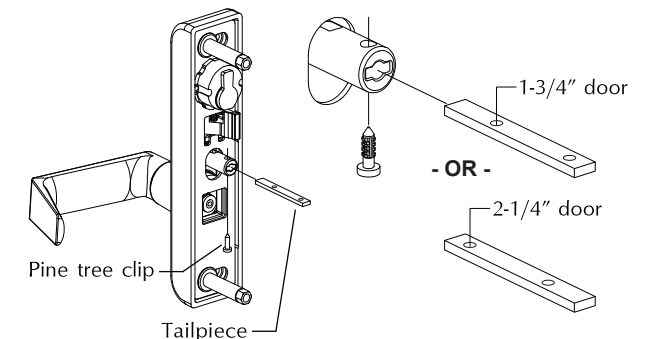
Cam must be in position shown **with key removed** for NL or TL function. If necessary, remove cam screws, place cam in correct position, and install cam screws.



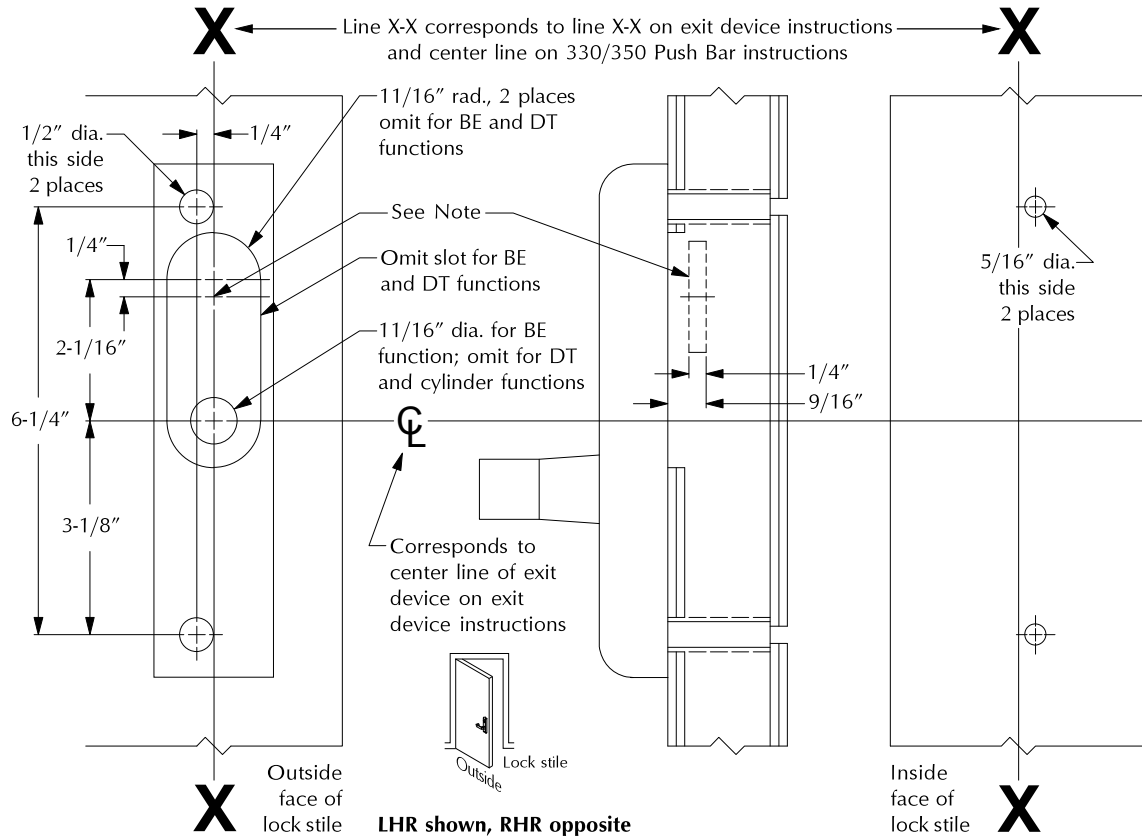
\* Would need to be supplied with cylinder

## TO ADJUST TAILPIECE LENGTH

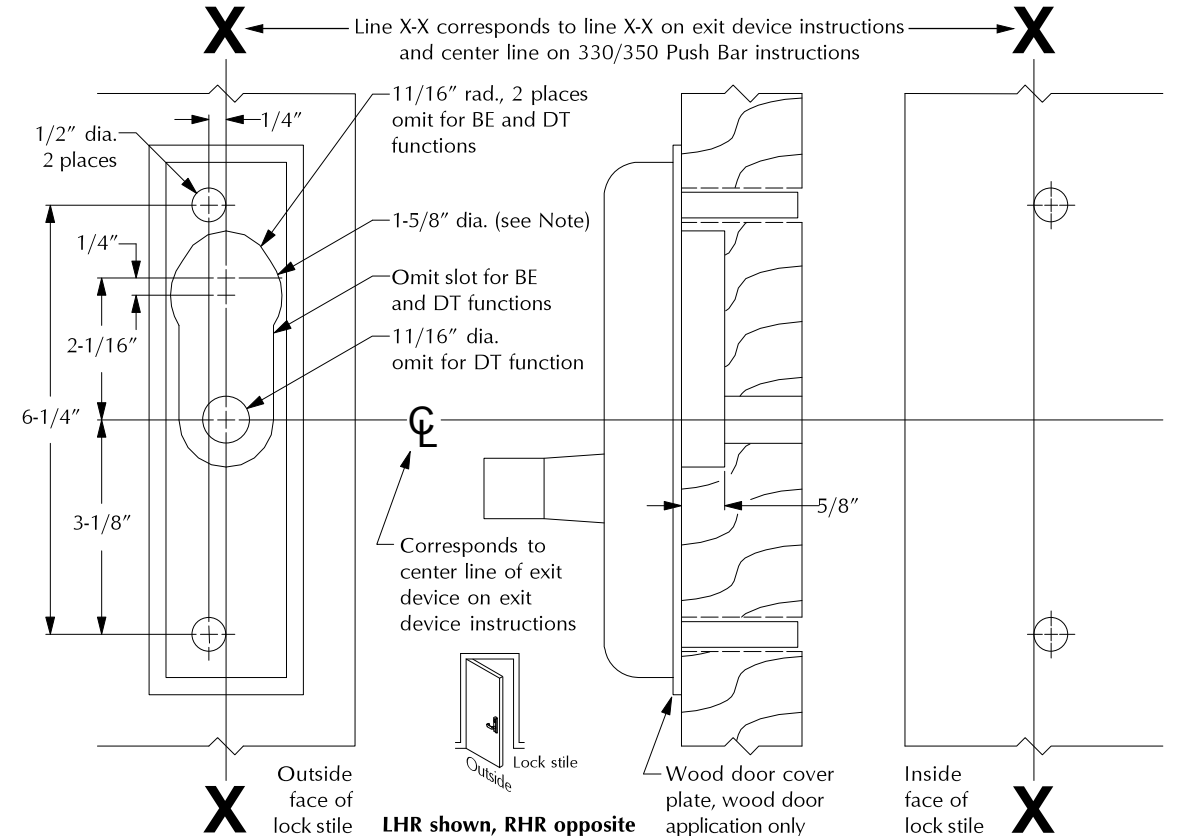
Make sure tailpiece is installed at correct length for 1-3/4" thick or 2-1/4" thick door. If necessary, remove pine tree clip, rotate tailpiece, install pine tree clip.



## DOOR PREPARATION, METAL DOOR APPLICATION



## DOOR PREPARATION, WOOD DOOR APPLICATION



For cutouts on inside face of door, see device instructions

Device Application Schedule			
	L/L-BE	T/T-BE	L-DT
33A/35A Rim	●	●	●
3327A/3527A Vertical Rod	●	●	●
3347A/3547A Vertical Rod	●	●	●
3348A/3548A Vertical Rod	●	●	●
3327A-F/3527A-F Vertical Rod	●	●	
3347A-F/3547A-F Vertical Rod	●	●	
3348A-F/3548A-F Vertical Rod	●	●	
330/350 Push Bar			●

**NOTE**  
 1-5/8" dia. clearance required on internal lock stile features for rotation of mortise cylinder cam in area shown. Omit for BE and DT functions.

Customer Service

1-877-671-7011 www.allegion.com/us



© Allegion 2019  
 Printed in U.S.A.  
 941132-00 Rev. 09/19-f