



911390-00

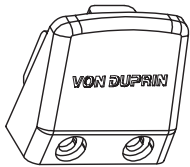
33/35 & 98/99

VON DUPRIN®

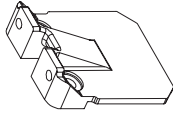
End Cap Retrofit Kit

Installation Instructions

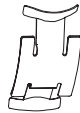
PARTS LIST



END CAP



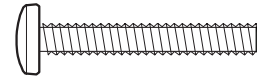
END CAP MOUNTING BRACKET



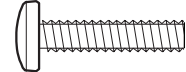
ANTI-RATTLE CLIP



#10-16 X 3/8" T-CUT SCREW

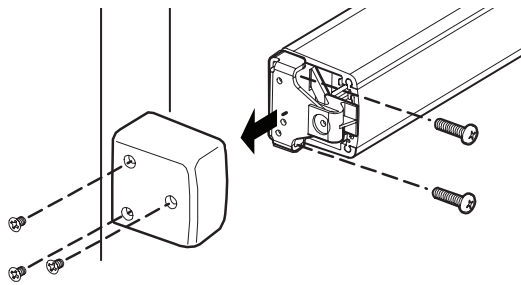


#10-24 X 1-1/8" MTG. SCREW

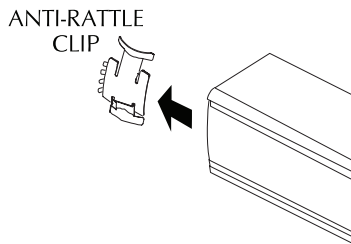


#10-24 X 3/4" MTG. SCREW

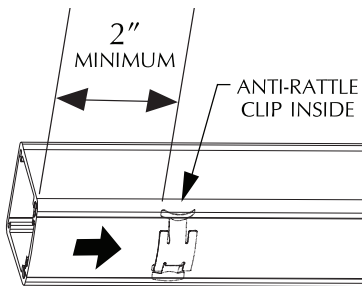
- 1 REMOVE OLD END CAP AND END CAP MOUNTING BRACKET.



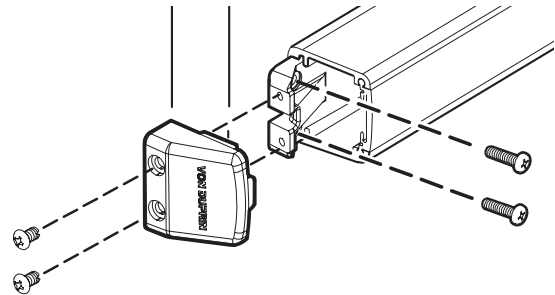
- 2 REMOVE OLD ANTI-RATTLE CLIP.



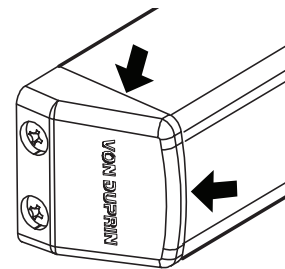
- 3 INSTALL NEW ANTI-RATTLE CLIP.



- 4 INSTALL NEW MOUNTING BRACKET AND END CAP.



- 5 VERIFY ALL EDGES ARE ALIGNED PROPERLY AND ARE FREE OF BURRS.



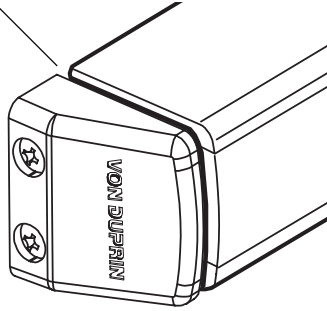
NOTE

IF DEVICE HAS BEEN CUT TO FIT DOOR, CUT MUST BE **SQUARE** FOR PROPER END CAP FIT. IF DEVICE HAS NOT BEEN CUT SQUARE, IT MAY BE NECESSARY TO REMOVE DEVICE FROM DOOR AND MAKE A CLEAN CUT FOR PROPER END CAP ALIGNMENT.

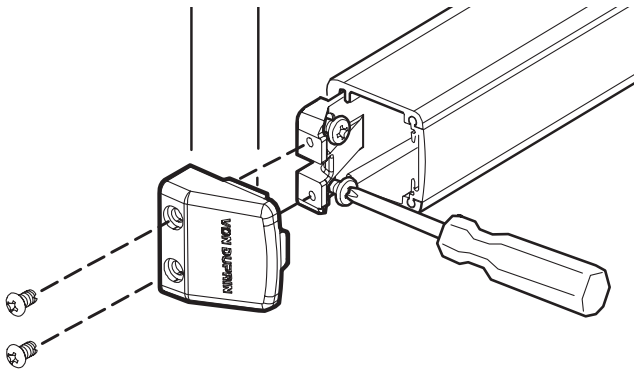
If New End Cap has a Gap as Shown Below (A):

The following method can be used to help correct it. This method works on 98/99 series devices.

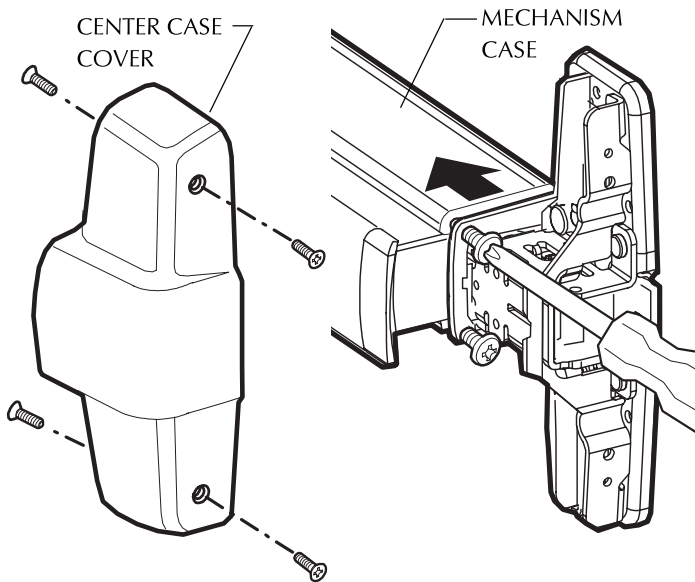
A GAP



B REMOVE END CAP AND LOOSEN TWO END CAP MOUNTING BRACKET SCREWS.

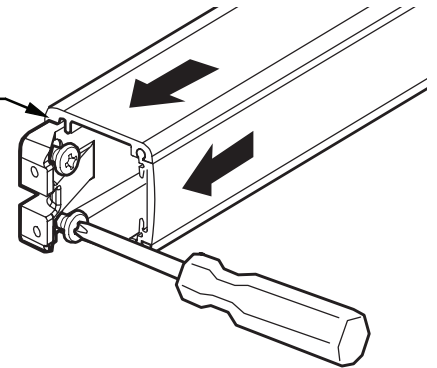


C REMOVE CENTER CASE COVER AND LOOSEN TWO MECHANISM CASE SCREWS. SLIDE CASE TOWARD END CAP AS SHOWN.

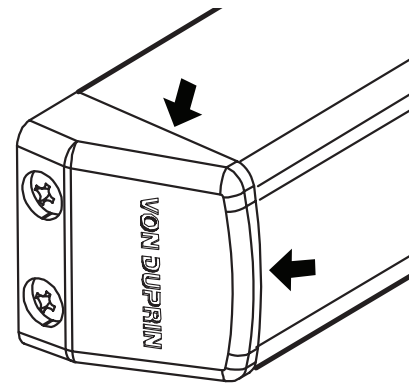


D SLIDE MECHANISM CASE TOWARD END CAP BRACKET UNTIL IT STOPS AGAINST BRACKET. TIGHTEN TWO SCREWS.

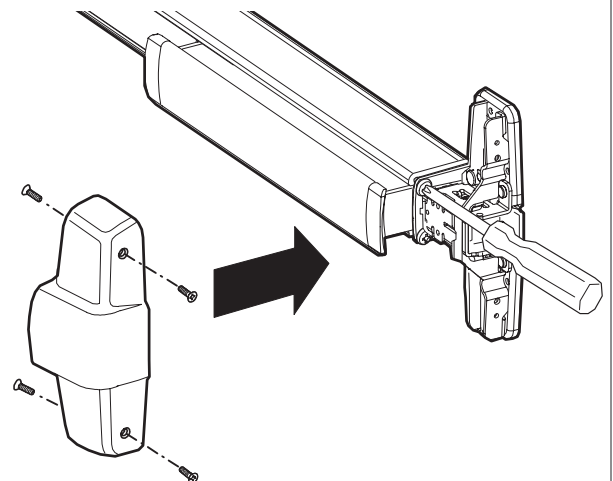
VERIFY THAT MECHANISM CASE AND END CAP BRACKET HAS NO GAP



E REINSTALL END CAP AND VERIFY THAT GAP IS CLOSED AND ALL EDGES ARE FLUSH.



F TIGHTEN TWO MECHANISM CASE SCREWS AND REINSTALL CENTER CASE COVER.



Customer Service

1-877-671-7011 www.allegion.com/us



© Allegion 2014
Printed in U.S.A.
911390-00 Rev. 01/14-b