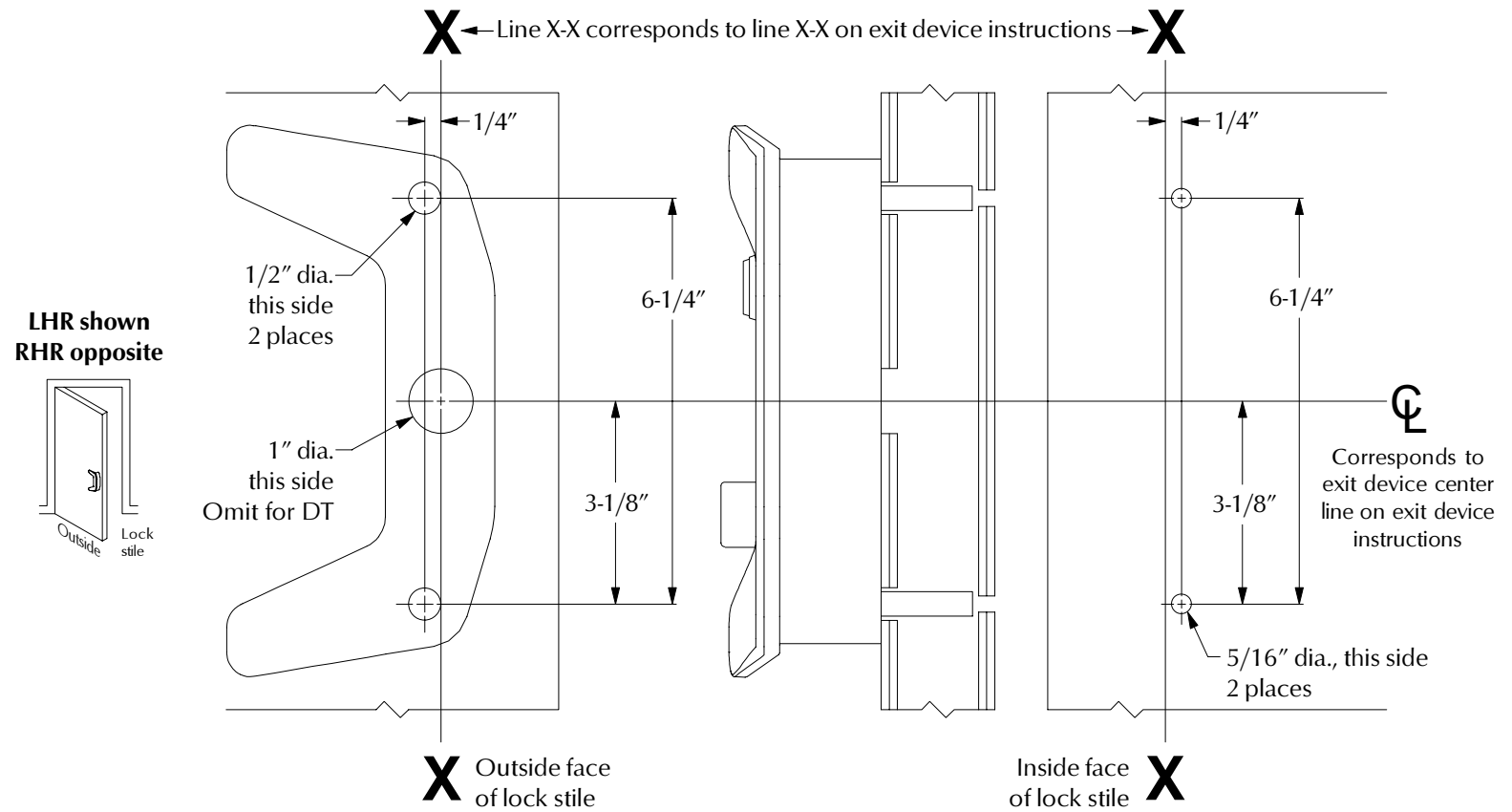


VON DUPRIN®

INSTALLATION INSTRUCTIONS

1. Prepare door for exit device. See exit device instructions for holes, line X-X, and center lines.
2. Prepare door for trim:
 - A. Transfer line X-X from inside (exit device side) of door to outside (trim side) of door. Use extra care if edge of door is beveled. Be sure center line X-X is parallel to edge of door.
 - B. Locate and prepare holes as shown.
3. Prepare trim:
 - A. For NL function, remove TP adapter cam and install NL adapter cam (see other side).
 - B. For NL or TP functions, change handing if necessary (see other side).
 - C. For NL or TP function, install cylinder (see other side).
4. Apply trim.
5. Apply exit device.



For cutouts on inside face of door, see exit device instructions

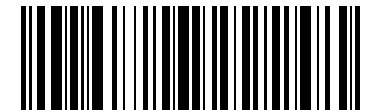


333DT/NL/TP TRIM
FOR 33/35 RIM DEVICE ON METAL DOOR

Copyright © 2004 Ingersoll-Rand.
All rights reserved.

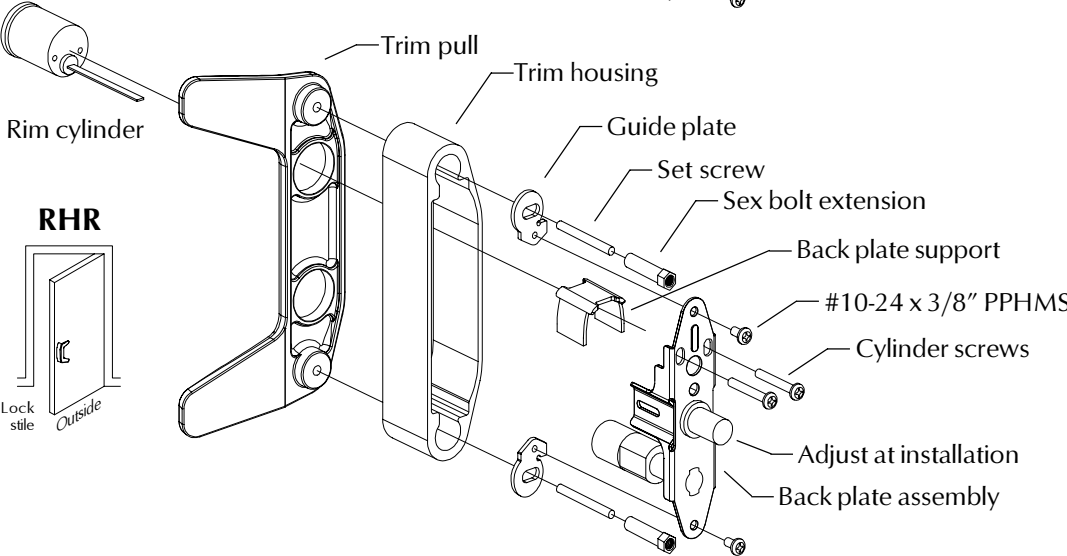
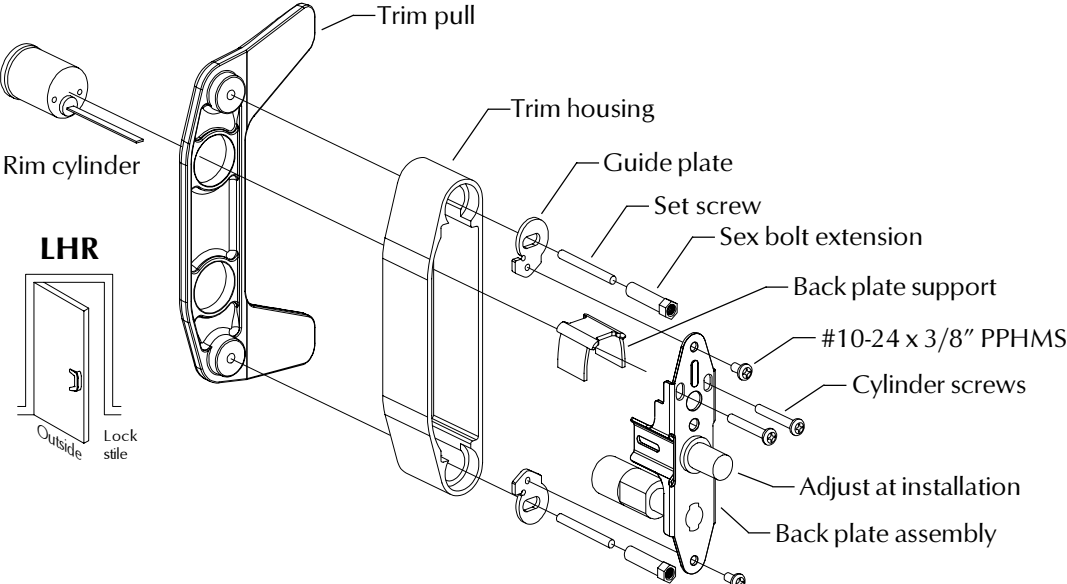
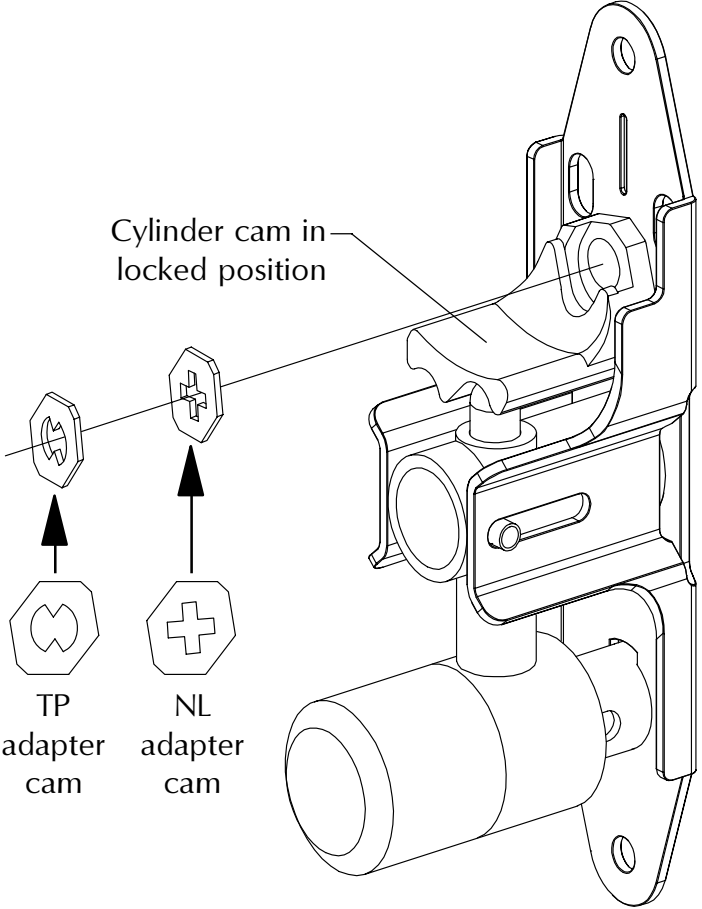
PAGE NO.
1 of 2

REVISION
7



921020-00

VON DUPRIN®



IR Security & Safety
Proven Source. Proven Solutions.™

333DT/NL/TP TRIM
FOR 33/35 RIM DEVICE ON METAL DOOR

921020-00

Copyright © 2004 Ingersoll-Rand.
All rights reserved.

PAGE NO.
2 of 2

REVISION
7