



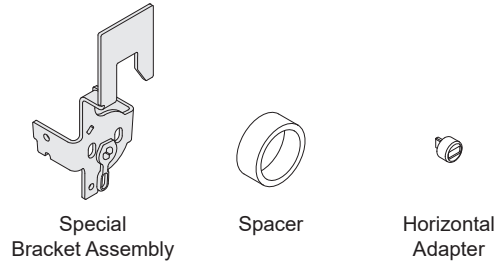
47699292

-2 and -2 SI Horizontal Tailpiece Adapter Kit

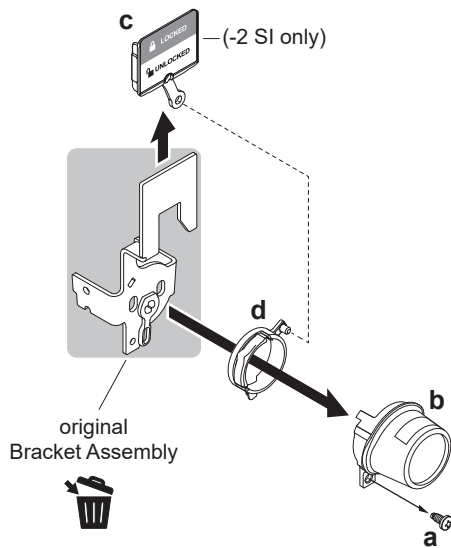
VON DUPRIN

Installation Instructions

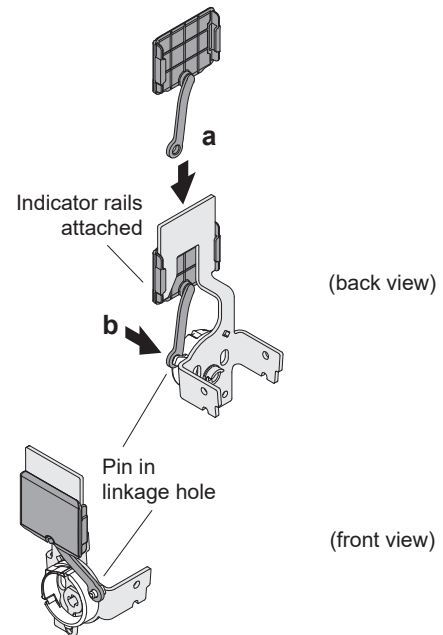
Kit Components



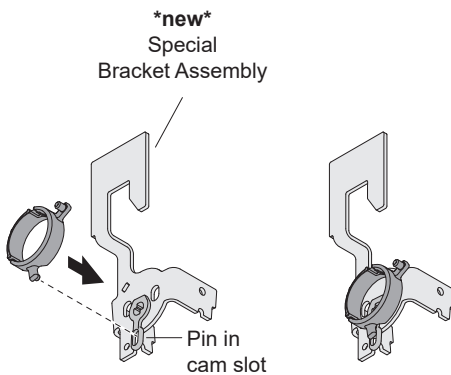
1 Disassemble Module. Discard Original Bracket Assembly. Retain Remaining Components.



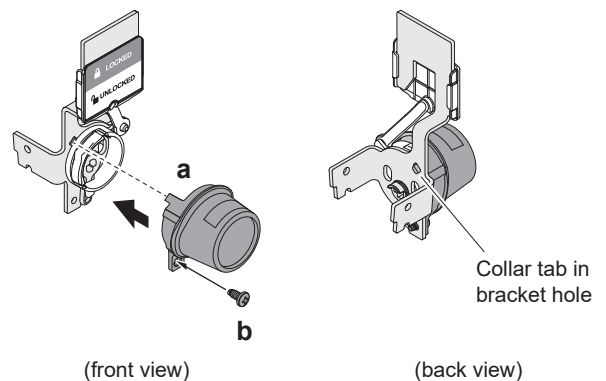
3 Install Indicator to Special Bracket Assembly (-2 SI Only).



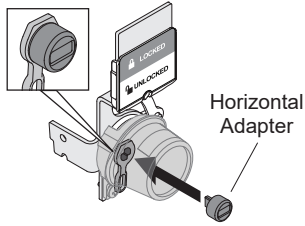
2 Reinstall Inner Cylinder Spring Holder and Spring to *new* Special Bracket Assembly.



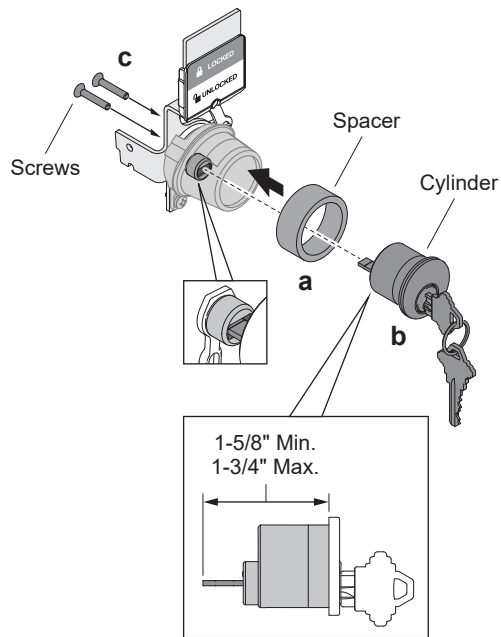
4 Install Cylinder Collar to Special Bracket Assembly.



5 Install Horizontal Adapter.



6 Install Spacer, Cylinder, and Screws.



7 Install Module and Cover per Device Instruction.

Customer Service

1-877-671-7011 www.allegion.com/us

