



921260-00

Trim

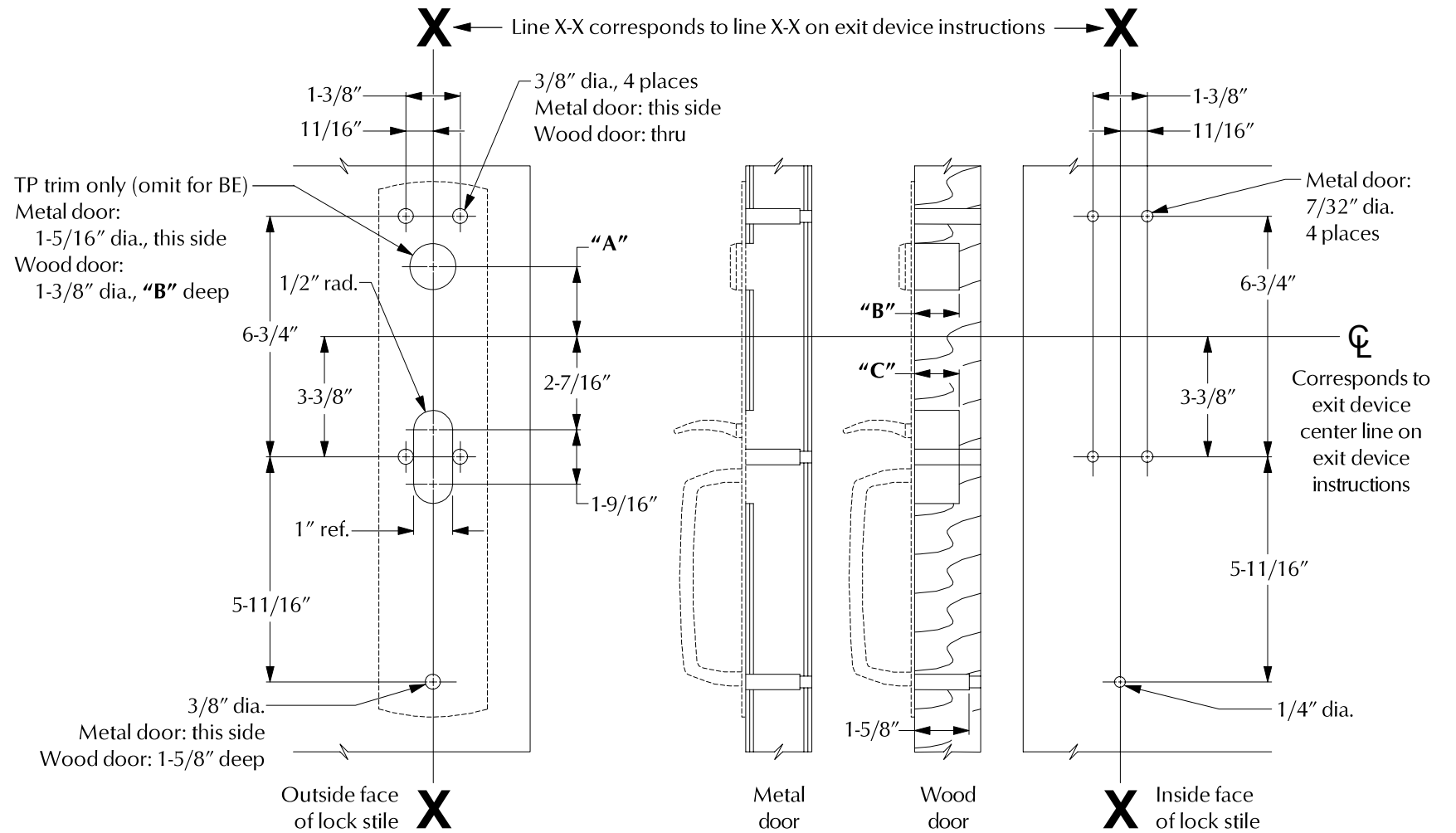
880TP/TP-BE

VON DUPRIN

Installation Instructions

1. Prepare door for exit device. See exit device instructions for holes, line X-X, and center lines.
2. Prepare door for trim:
 - A. Transfer line X-X from inside (exit device side) of door to outside (trim side) of door. Use extra care if edge of door is beveled.
 - B. Locate and prepare all holes as shown.
3. For TP trim with 8827 Vertical Rod Device, install cylinder in trim.
4. Apply trim.
5. Apply exit device.

Device Application Schedule			
Device	"A"	"B"	"C"
8827 Vertical Rod	1-3/4"	thru	slot thru to device cutout
8875 Mortise Lock	2"	3/4"	slot thru to mortise lock cavity



LHR shown, RHR opposite
For cutouts on inside face of door, see exit device instructions

Customer Service
1-877-671-7011 www.allegion.com/us



© Allegion 2014
Printed in U.S.A.
921260-00 Rev. 01/14-b