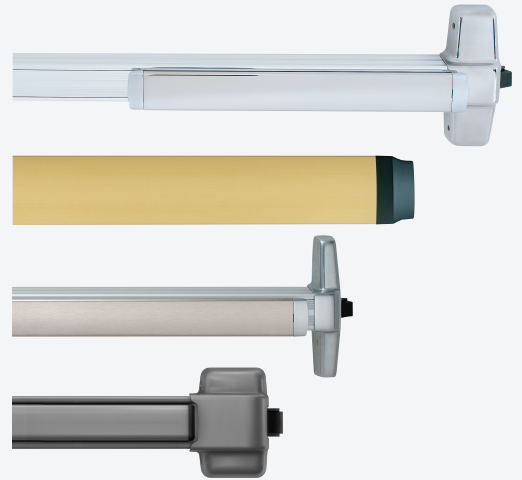


## Quiet Electric Latch Retraction-QEL

Featuring 98/99, 94/95, 33A/35A & 22 Series Exit Devices



### Overview

Quiet electric latch retraction (QEL) provides electronic control of an exit device for environments where limited operational noise is desired. The QEL option is Von Duprin's solution of choice for hospitals, libraries, museums and theaters where ambient noise can be disruptive. It is available on all Von Duprin 98/99, 94/95, 33A/35A, and 22 Series exit devices.

These devices always provide mechanical egress. The electrified latch retraction can also be activated by an access system or building automation system to unlatch the exit device momentarily. Often the QEL is used with a credential reader and access control system to unlock the door momentarily for authorized users.

The QEL can also be configured to electronically retract the latch for an extended period of time to allow free entry. This is a convenient alternative to mechanical dogging. If manual dogging is required, the hex dogging option is available, to order specify HD-QEL on non fire-rated devices. Special center case dogging is also available for 98/99 rim and vertical systems, specify SD-QEL.

The QEL option is available on panic devices and fire rated devices. Fire rated openings have several additional requirements. They must be self latching and self closing. To satisfy these requirements the QEL must be paired with an automatic operator and under the control of an automatic fire alarm system when used on fire rated openings.

### Features & Benefits

- QEL option available on all 98/99, 94/95, 33A/35A, and 22 Series exit devices
- Energy efficient motorized latch retraction utilizes standard 2 amp power supply, enabling longer wire runs from power source
- Quiet operation in both mechanical and electronic states
- Modular design allows for a simplified installation
- On-board installation and troubleshooting diagnostics built into device
- Auto adjust latch retraction – automatically adjusts latch throw and pull
- Pushbar is pulled in electronically for quieter operation when dogged
- Vandal resistant – detects and responds to events of attack and tampering

## Specifications Compliance

- Devices are BHMA Certified to ANSI/BHMA A156.3 (2001) Grade 1 for Exit Devices
- Devices are UL and cUL Listed as "Panic Hardware" (UL 305) and as "Fire Exit Hardware" (UL 10C)
- The QEL Conversion Kit is UL Classified under "Accessories for Single-Point Locks and Latches and Fire Exit Hardware" (UL 10C)

## Electronic Specifications

QEL Electrical Load	
Voltage	24 VDC
Current	1.0 A Inrush (0.5 sec) 0.14 A Holding

QEL Wire Run Lengths	
Distance (one way)	Wire Gauge
Current	1.0 A Inrush (0.5 sec) 0.14 A Holding
200'	18 AWG
320"	16 AWG
500'	14 AWG
800'	12 AWG

## Accessories

The QEL has a low in rush current = 1.0 amps, so it can be used with standard Schlage power supplies. When powering multiple components, verify that the amperage requirements of all components combined does not exceed the power supply output rating, see table below for output ratings.

Schlage PS902	Schlage PS904	Schlage PS906
Up to 2 amps	Up to 4 amps	Up to 6 amps

## How to Order

- **Standard** – Use prefix QEL, example QEL99L
- **Special Center Case Dogging** – Use prefix SD-QEL, example SD-QEL99L\*
- **Hex Dogging** – Use prefix HD-QEL, example HD-QEL99L

\* SD QEL is available for the 98/99 Series only.

## QEL Wire Run Lengths

