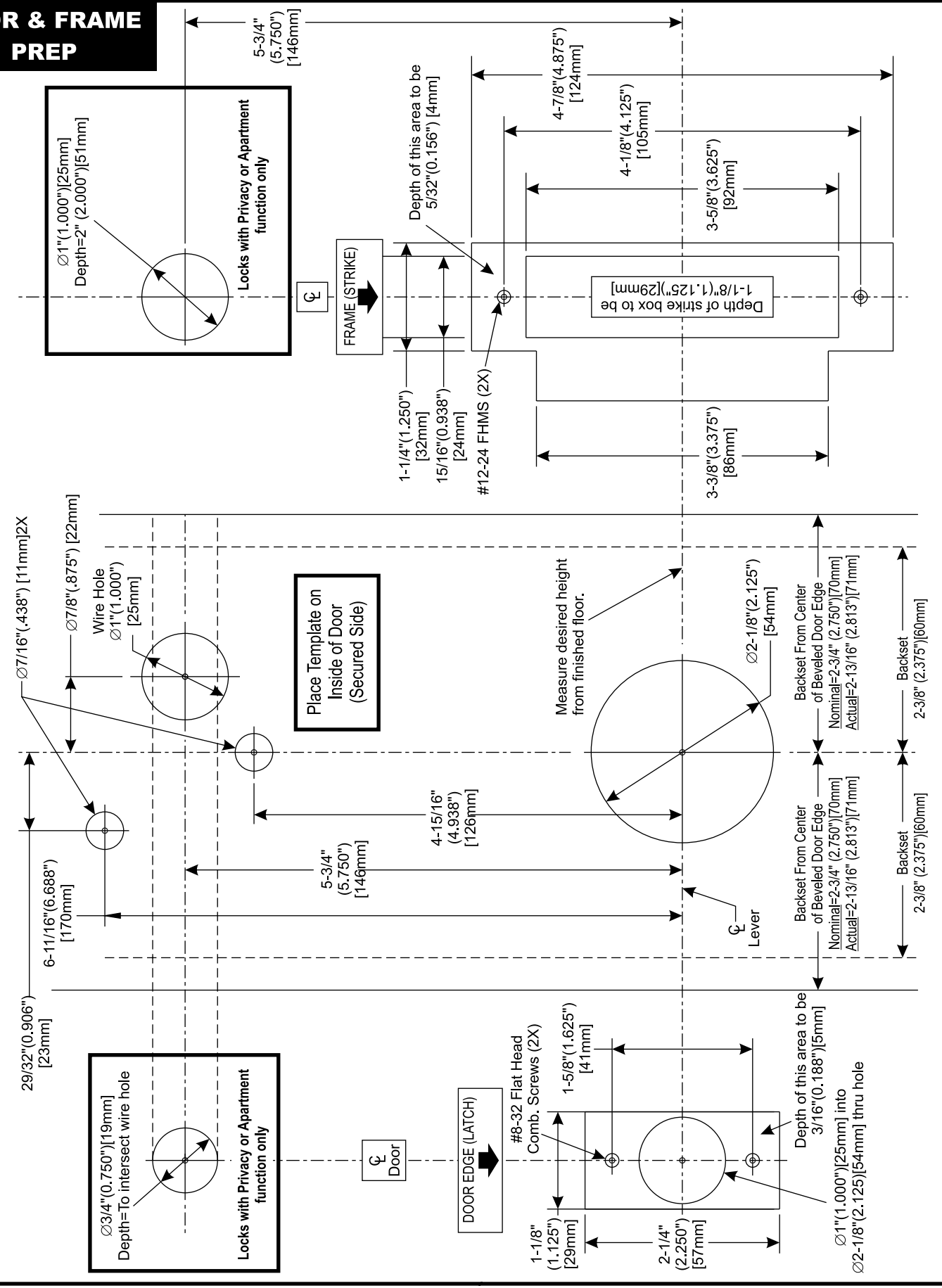
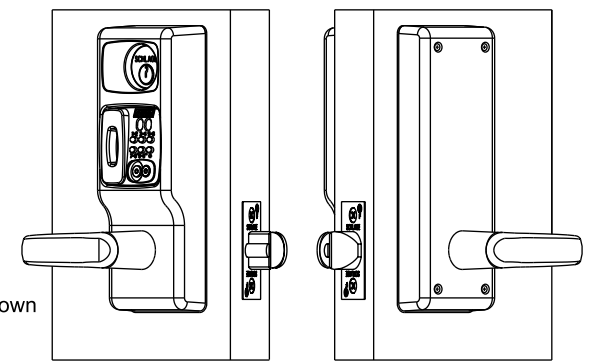


DOOR & FRAME PREP



COMPUTER MANAGED & CAMPUS LOCK SYSTEMS (Cylindrical) CM5100 & CL5100 SERIES



Lock is shown with PXX credential.



© Allegion 2015
Printed in U.S.A.
51005 Rev. 05/15-m

Customer Service
1-877-671-7011 www.allegion.com/us

INSTALLATION INSTRUCTIONS

INTRODUCTION:
This manual covers the complete hardware installation of any model in the CM5100 and CL5100 Series line of cylindrical locks.

- NOTES:**
- Illustration on pages 2 and 3 shows a LHR installation, but yours might be different.
 - Key cylinder to be 1-1/8" or longer with Schlage B502-191 or Schlage B502-948 or equivalent cam.
 - For manual programming instructions and information on using access cards and electronic keys, see the programming guide.
 - For computer programming instructions, see the documentation and help files included with the computer software.
 - Refer to Programming Guide for information on entering iButton keys or cards to test them.
 - Some literature may refer to I-buttons as "TEKs" or "TouchEntry Keys".
 - During installation, use care not to drop any hardware behind PCB on inside escutcheon.
 - Do not overtighten fasteners.

- OPERATIONAL TEST - CM5100 SERIES LOCKS:**
- Push down on inside lever. Latch should retract.
 - Push down and up on outside lever. Lever should be disengaged from retractor and door should not unlock.
 - Insert key, turn CW to stop (about 1/2 turn).
 - Push down on outside lever. Latch should retract. Units w/ATK option, green LED should flash.
 - Units w/keypad - enter factory default access code: **13579**
A quiet "whir", green LED flashes (approx. 10 sec).
 - With green LED flashing, push handle down. Latch should retract. When green LED stops flashing, a quiet "whir", lock relocks.
 - Test handle. It should be locked.

- OPERATIONAL TEST - CL5100 SERIES LOCKS:**
- Push down on inside lever. Latch should retract.
 - Push down on outside lever. Lever should be disengaged from retractor and door should not unlock.
 - Insert key, turn CW to stop (about 1/2 turn).
 - Push down on outside lever. Latch should retract. Units w/ATK option - green LED should flash when key is turned.

NON-SUPPLIED TOOLS & MATERIALS NEEDED

- Philips head screwdriver set
- Power Drill with 3/8" chuck
- Drill bit set (up to 1")
- 2-1/8" Hole saw w/mandrel
- Allen wrench set
- Square (90 degrees)
- Threadlocker (Loctite 242 recommended)
- Tape Measure
- Pencil
- Center Punch
- Hammer
- Chisel
- Level
- Masking tape

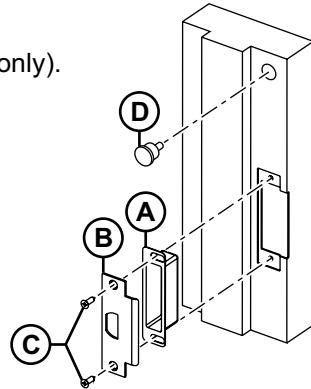
**See Back Cover for:
Door & Frame Preparation**

BLOCKING RING TABLE	
Key Cylinder Length	Blocking Ring (Schlage P/N: XXX=finish)
1-1/4" [32mm]	1/8" [3mm] (36-079-012-XXX)
1-3/8" [35mm]	1/4" [6mm] (36-079-025-XXX)
1-1/2" [38mm]	3/8" [10mm] (36-079-037-XXX)
1-5/8" [41mm]	1/2" [13mm] (36-079-050-XXX)

This device complies with part 15 of FCC rules. Operation is subject to following two conditions:
(1) This device may not cause harmful interference.
(2) This device must accept any interference received, including any interference that may cause undesired operation. Changes or modifications not expressly approved by party responsible for compliance could void user's authority to operate equipment.

After door & frame have been prepared, refer to illustration below and install strike components into door frame in following order :

- 1 - Insert **A**.
- 2 - Place **B** against **A**.
- 3 - Secure **A** and **B** with **C**.
- 4 - Insert **D** (Privacy or Apartment only).



After strike components have been installed into door frame, refer to illustration on right and assemble lock components onto door in following order :

- 1 - Insert **E** (beveled side * towards **B**), secure with **F**.
- 2 - **Locks with Privacy or Apartment function only:**
 - > Feed connector on **G** thru hole in door edge and out **wire hole** (inside of door).
 - > Press **H** into 3/4" hole in door edge.
- 3 - Install Key Cylinder (**I**) (refer to **DETAIL D-A**):
 - > If **I** is longer than 1-1/8" [29mm], slide **J** over **I** (refer to **BLOCKING RING TABLE** on page 1).
 - > Insert **I** into **K**.
 - > Slide **L** over **I**.
 - > Using **M**, screw **N** onto **I** until tight.
 - > Line up nearest notch on **N** with tab on **L**.
 - > Bend tab on **L** into notch of **N**.
- 4 - If changing the Handing, (refer to **DETAIL D-B**):
 - > Remove: **O**, **P**, **Q**, **R** (use 5/32" [4mm] hex wrench).
 - > Remove **S** from shaft.
 - > Rotate **S** 180 degrees, slide back onto shaft.
 - > Apply threadlocker to **R** and reinstall.
 - > Verify that dot (**T**) is at bottom.
 - > Insert round end of **Q** into **U**.
 - > Reinstall **P** with jaws facing away from end of **S**.
 - > Reinstall **O**.
 - > Inside escutcheon - repeat with **R** and **S** as above.
- 5 - Verify that key cylinder is functional.
- 6 - Mount Outside Escutcheon (**Z**):
 - > Remove **V** and **W**.
 - > Install **X**.
 - > Apply sticky side of **Y** to **Z** (feed **Aa** thru hole in **Y**).
 - > Doors thinner than 1-3/4" [44mm], use **Opt. Spacer A**.
 - > Feed **Aa** thru **wire hole** in door.
 - > Press **Z** to outside of door.
 - IMPORTANT:** Refer to **DETAIL D-C** and verify that **Ba** engages with **Ca**.
 - > Reinstall **W**, secure with **V**.

- 7 - Install Inside Baseplate Assembly (**Da**):
 - > Doors thinner than 1-3/4", use **Optional Spacer B**.
 - > Press **Da** to inside of door, secure with **Ea** & **Fa**.
 - > Insert **Ga** into **U** (beveled corners towards door).
 - > Refer to **DETAIL D-D**, and plug **Aa** into **Ha**.
 - NOTE:** Route **Aa** under retaining clip as in illustration.
 - > Observing polarity, install 4, AA batteries into **la**.

Skip to step 10 if lock does not have **Apartment** or **Privacy**.

- 8 - Locks with Apartment Function, refer to **DETAIL D-E**:
 - > Connect **Ja** to **Ka**.
 - > Connect **G** to **La**.

- 9 - Locks with Apartment Function, refer to **DETAIL D-F**:
 - New Installations:**
 - > Plug **G** into **Ma**.
 - > Verify that **Oa** is plugged into **Pa**.
 - Replacing the Privacy/Apartment Function PCB:**
 - > If a Privacy/Apartment Function PCB (#395569) is installed, disconnect it and remove it.
 - > Scrape off remaining double stick foam.
 - > Proceed with Retrofit Installations.
 - Retrofit Installations:**
 - > Remove self-adhesive tape backing from PCB #395569 (included in upgrade kit).
 - > Mount PCB in position and orientation shown.
 - > Unplug **E** from original position and plug it into **Ma**.
 - > Route wires (**Na**) under baseplate's main PCB and plug **Oa** into **Pa**.

- 10 - Install Inside Escutcheon:
 - NOTE:** Locks with Office, Apartment, and Privacy function have two pushbuttons on escutcheon (shown).
 - > Place **Qa** over **Da** (verify **Ga** engages lever cam).
 - > Secure **Qa** with **Ra**.

INSTALLATION OF HARDWARE COMPLETE
See page 1 for Operational Testing - CM5100 or CL5100

