

# PIM400-1501-LC

16 Door Intelligent Controller  
for AD Series Wireless Devices;  
Powered by Mercury



## Overview

The Schlage intelligent controller powered by Mercury is designed to provide a complete and cost effective IP addressable access control solution for up to 16 wireless AD Series devices. By combining the strength of the AD Series wireless PIM400 with customized functionality of the LPI501 intelligent controller from Mercury, this single device provides a compact solution that simplifies installation and cost of implementation. LPI501 controller is not included and must be purchased separately.

The PIM400-1501-LC can extend a facility's access control to remote locations and can be centrally managed by an IP network connection. By having an IP connection you can easily hook on to the existing network without the need for additional wiring requirements such as RS232 or RS485 cables. By leveraging the full portfolio of Schlage Wireless devices including the AD-400 locksets, WPR400 portable readers, and WRI400 reader interfaces there is the ability to support a broad range of applications including traditional openings that may require electric strikes or wall mounted readers.

The PIM400-1501-LC is pre-wired with external RJ-45 and USB connections. To further simplify installation, the device can be Powered over Ethernet (PoE) or receive 12VDC supply.

Once configured, the PIM400-1501-LC functions independently of the host in the event network connectivity is lost. Thus, the PIM400-1501-LC can continue to manage access control to up to 16 wireless devices even when the network is disconnected. The intelligence of the PIM400-1501-LC extends beyond just its capacity for 240,000 cardholders and 50,000 audit events to include the ability to manage elaborate interdependencies among the devices.

## Features & Benefits

- Standard IP addressable intelligent controller for up to 16 AD Series wireless devices
- Decentralized system intelligence capable of managing up to 240,000 cardholders and 50,000 transactions in memory if temporarily disconnected from network
- PoE compliant to IEEE 802.3af
- Optional 12VDC external power supply to achieve UL294 Listing
- 900 MHz communication between PIM4001501-LC and AD Series wireless devices for secure, AES-128 bit encrypted transmission
- Wireless lockdown/unlock feature (10 seconds or less) preserves up to 2 year battery life in wireless device
- External RJ-45 and USB connectors for simplified installation and use
- Capable of managing a combination of AD-400, WPR400, and WRI400 devices for applications ranging from traditional doors to elevators and parking gates

### CYBERSECURITY

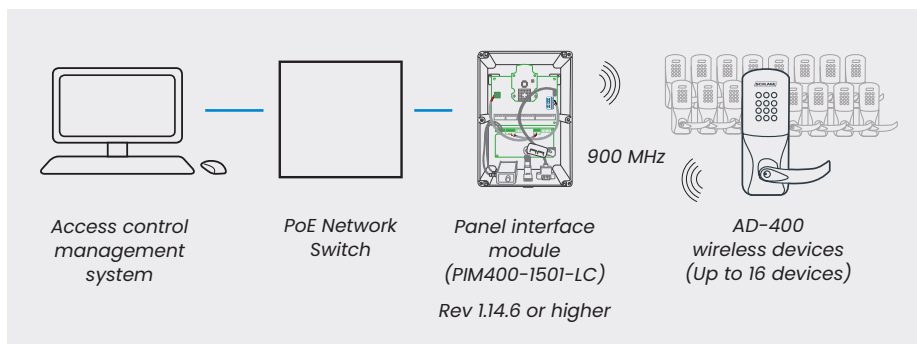
Learn about Allegion's commitment

**PIM400-1501-LC 16 Door Intelligent Controller**

Modulation / encryption	900 MHz spread spectrum, direct sequence, 10 channels, AES-128 bit key
Frequency range	902-928 MHz
Credential verification time	< 1 second <sup>1</sup>
Communication range	Up to 200 ft (61 m) indoor range, with normal building obstructions Up to 1000 ft (305 m) clear line of sight Up to 2000 ft (609 m) line of sight with high gain antenna on PIM400 Up to 4000 ft (1219 m) line of sight with high gain antennas on PIM400-1501-LC and WRI400.
RF interference avoidance	Configurable Dynamic Channel Switching
Operating temperature	32° to 151°F (0° to 66°C)
Humidity	10% to 95% relative humidity non-condensing
Power input	PoE, 12.95W compliant to IEEE 802.3af or 12VDC +/- 10% 400mA max power supply
Communication to host	10 Base-T / 100Base-TX
Intelligent controller memory	240,000 cardholders, 50,000 transaction buffer 32 Access levels per cardholder Activation/deactivation dates
Dimensions (H x W x D)	10.43" x 7.28" x 3.79" (26.49 cm x 18.49 cm x 9.63 cm)
Weight	2.8 lbs.
Certifications	FCC Part 15; Industry Canada(IC); RoHS; ULC S319; UL294 Listed <sup>2</sup> when connected to UL294 power supply

1. Lock requires less than 100 msec, response time does not include latency time of ACP.

2. Confirm with your Physical Access Control Software (PACS) provider.


**Optional Accessories**

- **ANT400-REM-I/O** – Omni-directional remote indoor/ outdoor antenna module. Requires available grounding kit (MGB+MCA5) for outdoor installations
- **ANT400-REM-I/O+6dB** – Directional, flat panel, remote indoor/outdoor antenna with 6dB of gain. Requires available grounding kit (MGB+MCA5) for outdoor installations
- **MGB+MCA5** – Grounding kit for outdoor installations
- **ANT400-REM-CEILING** – Omni-directional ceiling mount indoor remote antenna
- **ANT400-REM-HALL** – Bi-directional indoor hall application remote antenna
- **SUS-A Cable** – for use with SUS mobile app on compatible Android™ devices
- **WPR400** – Wireless Portable Reader
- **WRI400** – Wireless Reader Interface
- **REPTR400** – Wireless Repeater



PIM400-1501-LC has RJ-45 and USB external connectors to make installation easy.