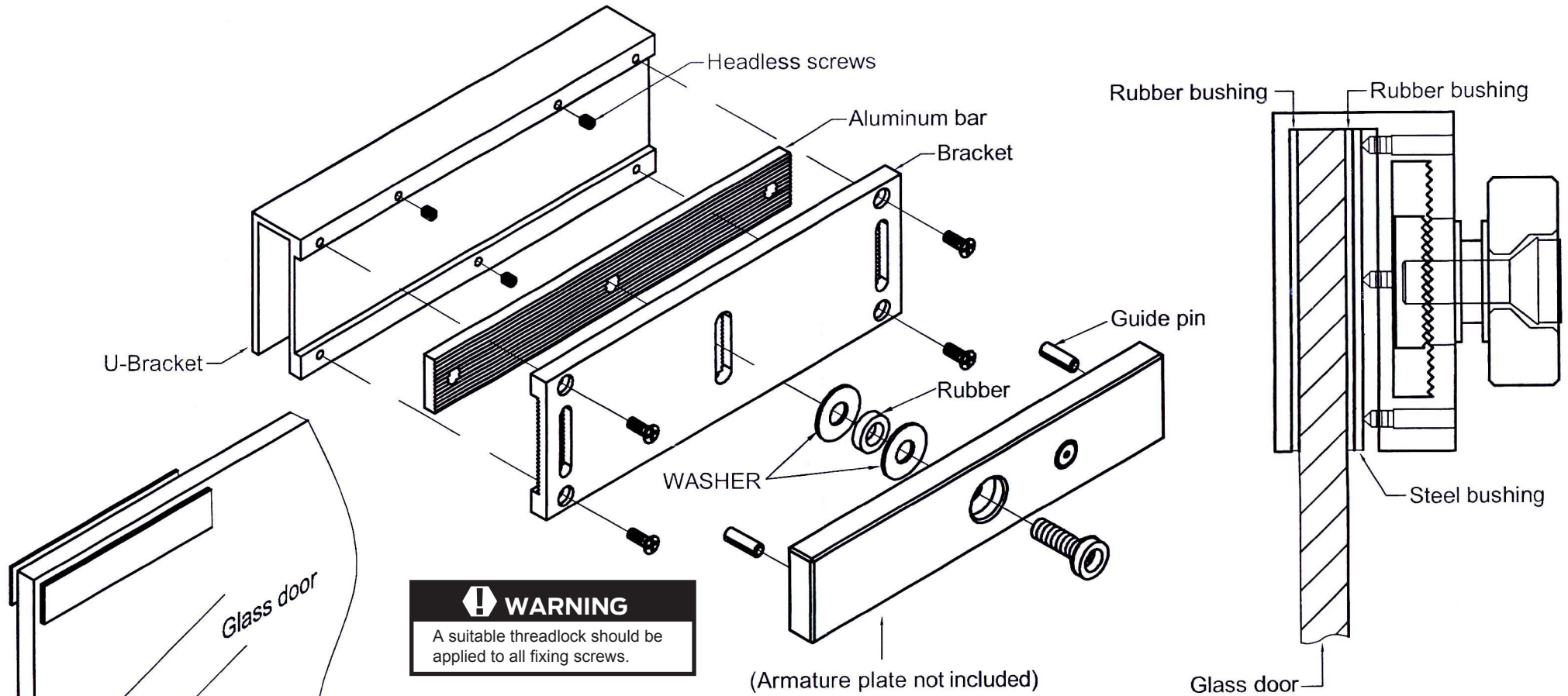


MUBK (U-Bracket) Installation Guide



WARNING
A suitable threadlock should be applied to all fixing screws.

Installing the U-Bracket

1. Place the steel bushing and rubber bushing according to the drawing.
2. Use the three headless screws to clamp the glass firmly.
3. Insert the aluminum bar and attach armature plate. The aluminum bar can be adjusted so it matches the maglock.

CAUTION
Do not attach the mounting screw of the armature to plate too firmly. Allow floating movement for maximum holding force.

For details regarding the limited warranty:

Customer Service

1-877-671-7011

www.allegion.com/us